

**PLEASE CHECK WWW.MOLEX.COM FOR LATEST PART INFORMATION**

**Part Number:** [62202-0100](#)  
**Status:** **Active**  
**Description:** Micro-D Backshell Crimp Tool Kit, 25 Circuits

**Documents:**  
[RoHS Certificate of Compliance \(PDF\)](#)

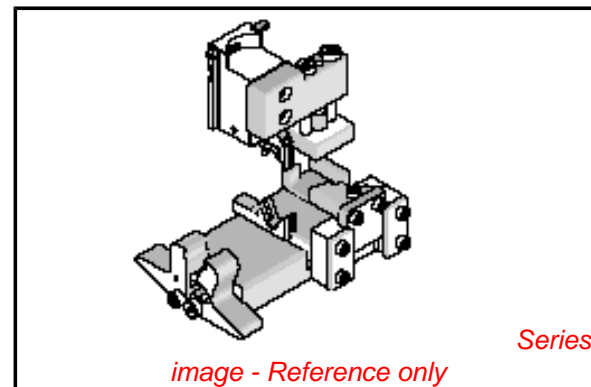
**General**

Product Family	Application Tooling
Series	<a href="#">T3002</a>
Comments	This tool kit is intended for use in the Basic Arbor Press. See Tooling Specification (PDF) Above
Function	Crimp
Geographic Area	Global
Level of Automation	Manual
More Detailed Tech Information	<a href="mailto:applicationtooling@molex.com">applicationtooling@molex.com</a>
Product Name	N/A
Survey	<a href="http://www.molex.com//review/apptool_survey.html">www.molex.com//review/apptool_survey.html</a>
Tool Type	Tool Kit
UPC	800756404622

**Material Info**

**Reference - Drawing Numbers**

Application Tooling Documents [ATS-622020000](#), [ATS-622020100](#), [TM-622022099](#)



*image - Reference only*

**EU RoHS** **China RoHS**

**Compliance Status**

**Not Reviewed**

**REACH SVHC**

**Not Reviewed**

**Low-Halogen Status**

**Not Reviewed**

**Need more information on product environmental compliance?**

Email [productcompliance@molex.com](mailto:productcompliance@molex.com)  
 For a multiple part number RoHS Certificate of Compliance, [click here](#)

Please visit the [Contact Us](#) section for any non-product compliance questions.

**Search Parts in this Series**

[T3002Series](#)

**Use With**

[62202-0000](#)

Application Tooling Description	FAQ Product #
1.27mm Pitch Commercial Micro D, Cable Receptacle Kit, 25 Circuits	0834249014