


HC-D 7-KML-61/M1PG11

Order No.: 1773297

<http://eshop.phoenixcontact.de/phoenix/treeViewClick.do?UID=1773297>

Coupling housing, with single locking latch, height 61 mm, with screw connection, 1x Pg11, material zinc

Commercial data

GTIN (EAN)	
sales group	D011
Pack	10 pcs.
Customs tariff	85389099
Catalog page information	Page 509 (PC-2009)

Product notes

WEEE/RoHS-compliant since:
02/17/2006



<http://www.download.phoenixcontact.com>
Please note that the data given here has been taken from the online catalog. For comprehensive information and data, please refer to the user documentation. The General Terms and Conditions of Use apply to Internet downloads.

Technical data

General data

Note	For contact inserts HC-D7, D8, A3, A4, B5, HS2-D7
Design	D7
Height	61 mm
Width	26.5 mm
Length	26.5 mm

Housing type	Coupling housings
Locking type	With single locking latch
Type of the screw connection	1x Pg11
Pg screw connection	With
Wrench size, union nut	18 mm
External cable diameter	7.5 mm ... 12.5 mm
Degree of protection	IP54 / IP65 with sealing screw
Ambient temperature (operation)	-40 °C ... 125 °C
Housing material	see above
Housing surface material	Powder-coated, gray
Cable gland material	Nickel-plated brass
Cable seal material	NBR
Material lock	Steel, galvanized

Certificates / Approvals



Certification

GOST

Accessories

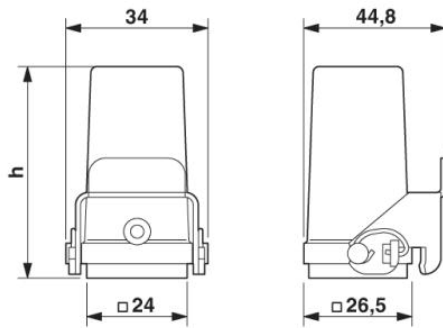
Item	Designation	Description
------	-------------	-------------

Assembly

1686229	HC-D 7-DS-IP65	Sealing screw, for IP65 protection
---------	----------------	------------------------------------

Diagrams/Drawings

Dimensioned drawing



Address

PHOENIX CONTACT Inc., USA
586 Fulling Mill Road
Middletown, PA 17057, USA
Phone (800) 888-7388
Fax (717) 944-1625
<http://www.phoenixcon.com>



© 2010 Phoenix Contact
Technical modifications reserved;