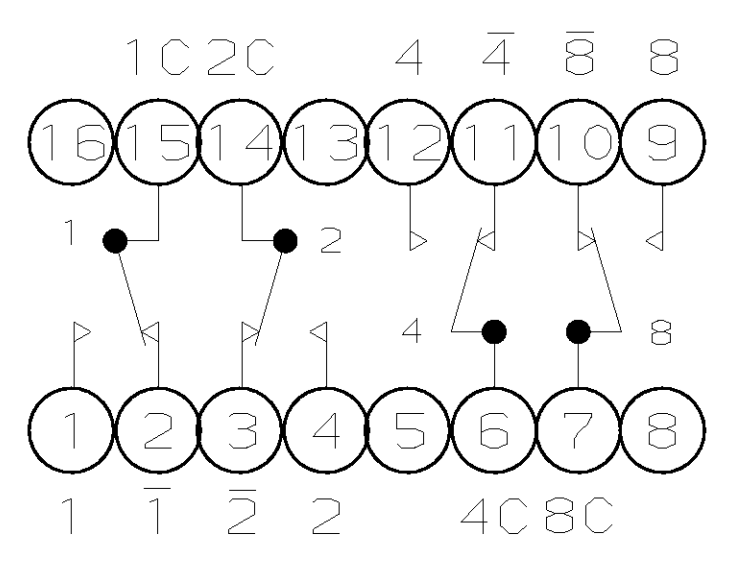
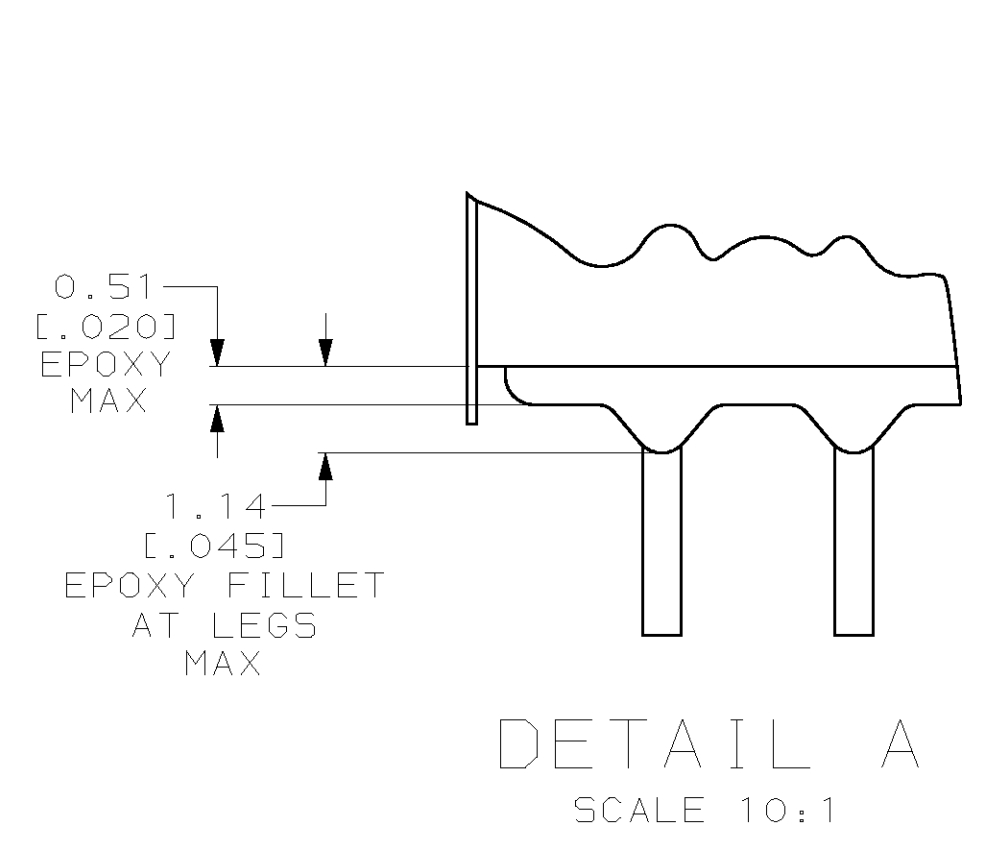


LOC		DIST		REVISIONS			
AG	1	REV	DATE	BY	CHK	DATE	BY
K		REDRAWN ON CAD PER 0330-0026-96	1-8-97	WS	JR		
L		REV PER EC 063C-0381-01	02MAY02	MB	HW		

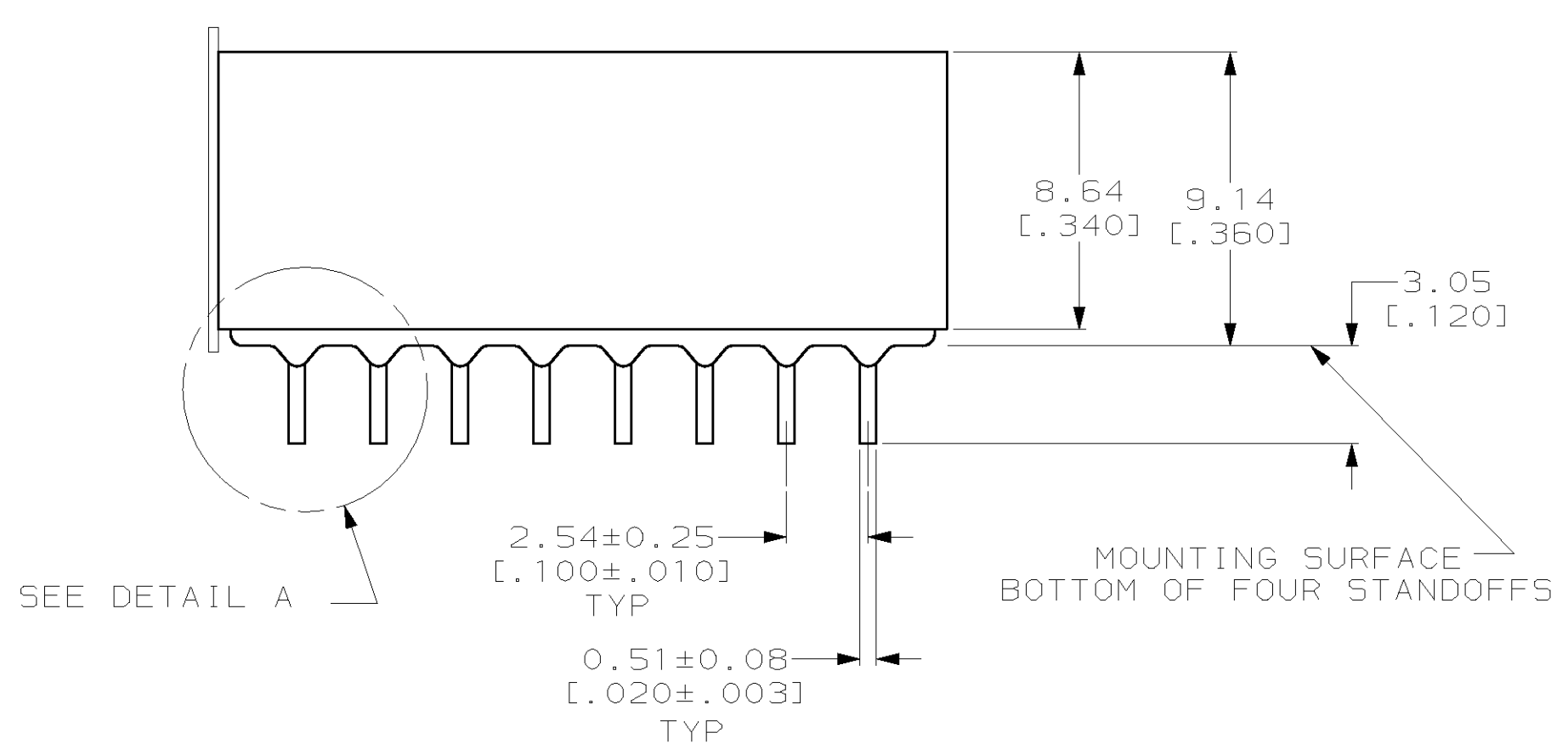
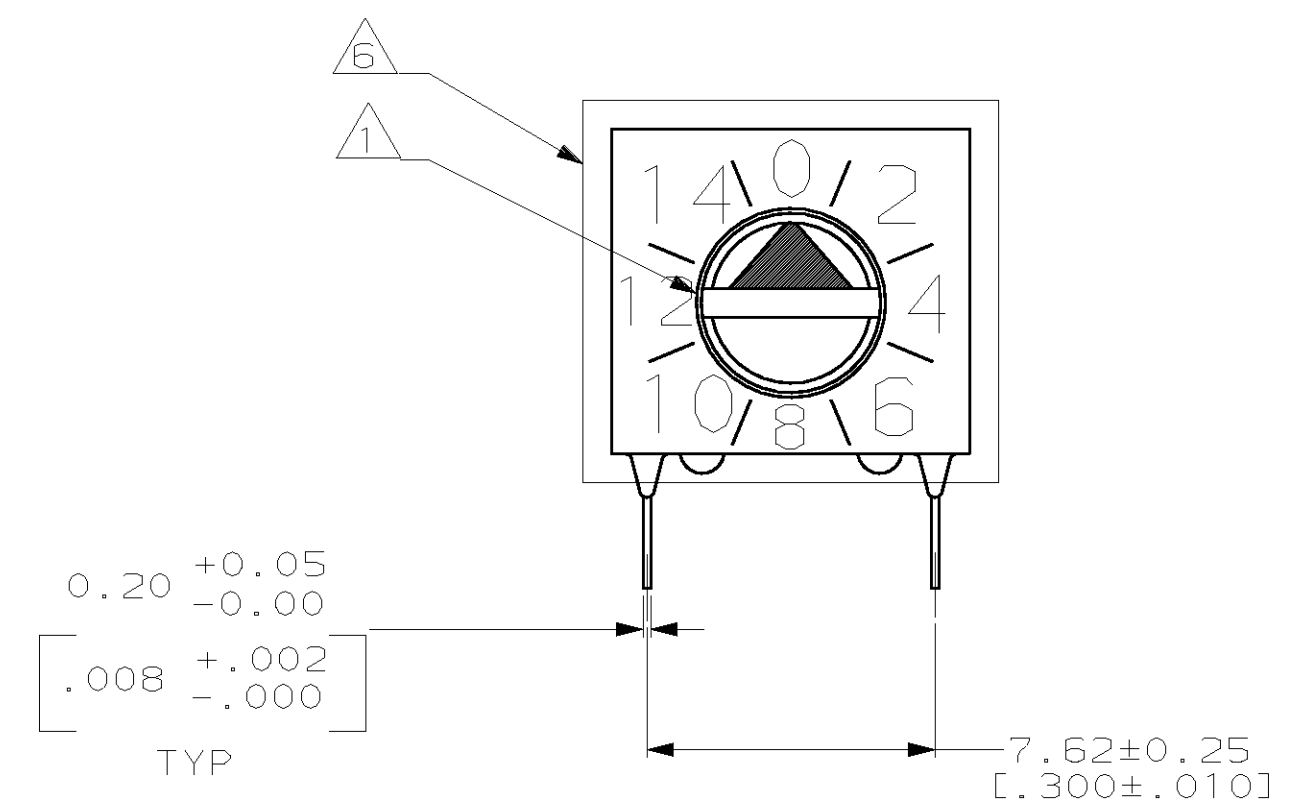
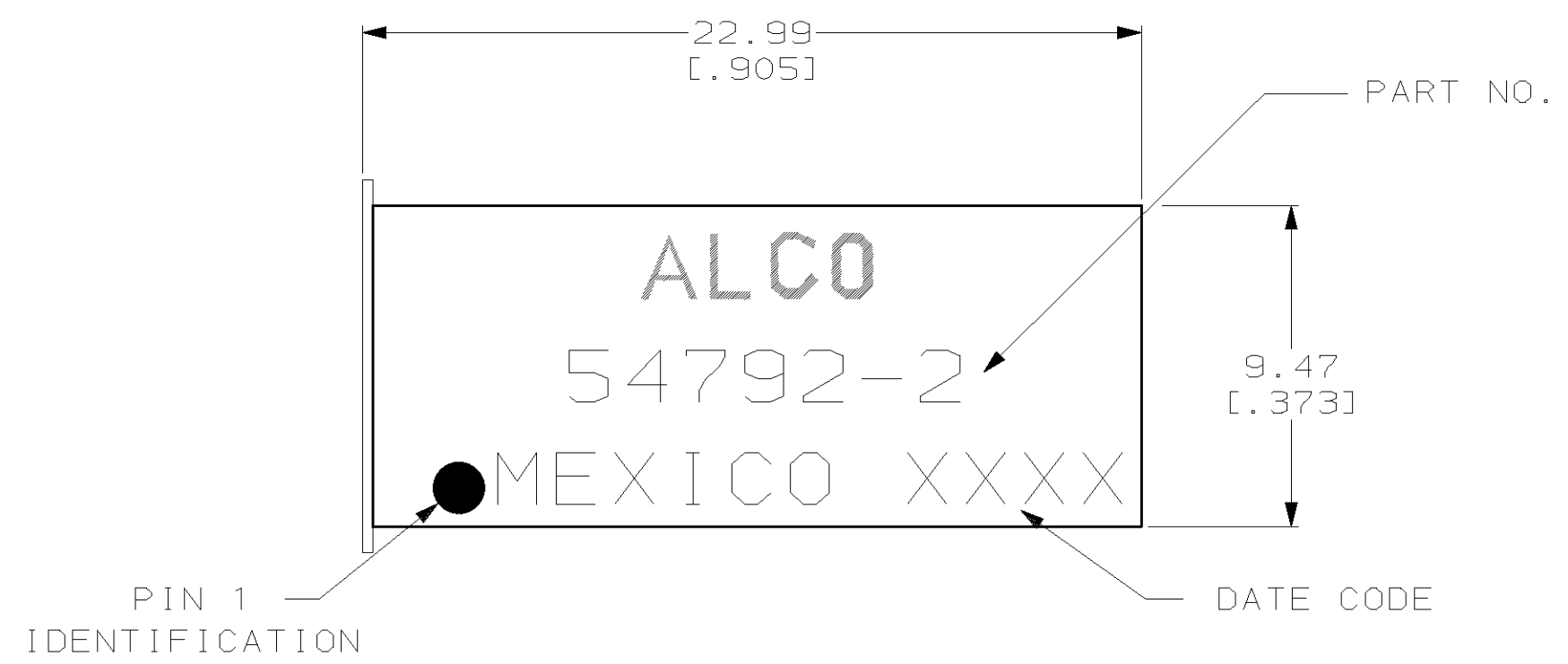


SCHEMATIC
(POSITION 0)

- △ SLOT FOR SCREWDRIVER ACTUATION, AFTER REMOVAL OF TAPE.
- 2. FOR ADDITIONAL SPECIFICATIONS SEE AMP PRODUCT SPEC 108-7066 AND INSTRUCTION SHEET 6811.
- 3. SWITCH BOTTOM IS SEALED.
- △ CONTACT FINISH TO BE 0.00076 [.000030] GOLD OVER NICKEL.
- △ MATERIAL:
HOUSING : BLACK POLYESTER
CONTACTS : BERYLLIUM COPPER.
- △ REMOVABLE TAPE TO SEAL ACTUATOR END.

		POSITION															
		0	1	2	3	4	5	6	7	8	9	10	11	12	13	14	15
COMMON TO	1		●		●		●		●		●		●		●		●
	2			●	●			●	●			●	●			●	●
	4					●	●	●	●				●	●	●	●	●
	8									●	●	●	●	●	●	●	●
	1	●		●		●		●		●		●		●		●	
	2	●	●			●	●			●	●			●	●		
	4	●	●	●	●					●	●	●	●				
	8	●	●	●	●	●	●	●	●								

HEXADECIMAL: WITH COMPLEMENT



54792-2
PART NUMBER

DIMENSIONS (mm [INCHES])		TOLERANCES UNLESS OTHERWISE SPECIFIED		DWN		M. SORAH		1-8-97	
0 PLC	±-	1 PLC	±-	CHK	R. TALLEY	1-8-97	AMP Incorporated Harrisburg, PA 17105-3608		
2 PLC	±0.30 [.0123]	3 PLC	±-	APVD	J. ROBB	1-8-97	NAME		
4 PLC	±-	ANGLES	±-	PRODUCT SPEC		SWITCH ASSY, PREPROGRAMMED DIP, 16 POSITION, SCREWDRIVER SLOT			
FINISH		FINISH		APPLICATION SPEC		SIZE			
MATERIAL		MATERIAL		WEIGHT		CAGE CODE		DRAWING NO	
CUSTOMER DRAWING		CUSTOMER DRAWING		SCALE		A1 00779		C-54792-2	
				SCALE		5:1		SHEET 1 OF 1 REV L	