

**FOR INTERNAL REFERENCE ONLY**

REEL COMPONENT	MATERIAL NUMBER (SEE NOTE 4)	QUANTITY
REEL CORE	30907-6481	1
REEL FLANGE	085065024	2
INTERLEAF PAPER	0865110001	SEE NOTE 1

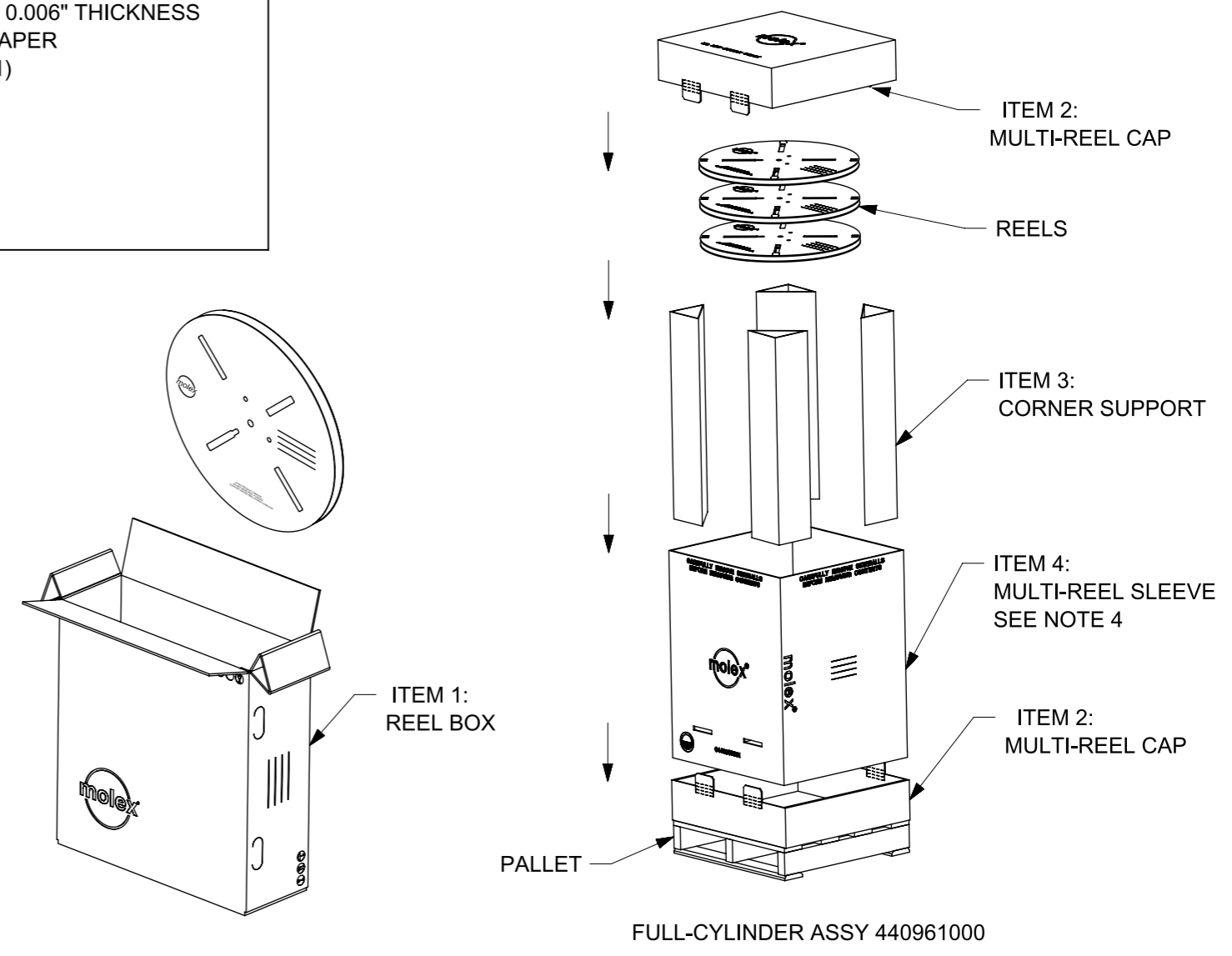
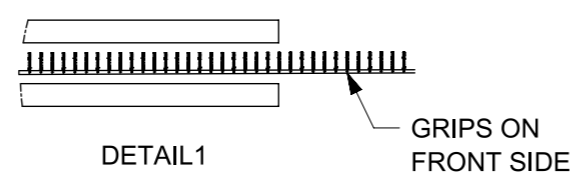
**REEL ASSEMBLY**

**FOR INTERNAL REFERENCE ONLY**

REELS PER CARTON	ITEM NUMBER	PACKAGING COMPONENT	QUANTITY	PACKAGING MATERIAL NUMBER (SEE NOTE 4)
6	1	6 REELS PER CARTON	1	313012320
4		4 REELS PER CARTON	1	085020010
3		3 REELS PER CARTON	1	085020003
22	2	MULTI-REEL CAP	2	440960003
	3	CORNER SUPPORT	4	440960002
	4	MULTI-REEL CARTON SLEEVE	1	440960001

**TABLE 1**

SL NO.	TERMINAL PART NO.	PARTS PER REEL SPQ
1	150180-1016	6000
2	150180-1020	6000
3	150181-1016	6000
4	150181-1020	6000



- NOTES:**
- INTERLEAF PAPER TO BE USED THROUGHOUT THE ENTIRE REEL. (REF ES-40000-7005)
  - PRODUCT LABEL AND SHIPPING LABEL TO BE ATTACHED AT THESE APPROXIMATE LOCATIONS. (REF ES-40000-7012)
  - REEL CORE IS CUT TO LENGTH AS INDICATED.
  - REELS MAY BE SHIPPED IN CARTON BOX, SLEEVE ASSEMBLY OR INDIVIDUAL REEL BOXES DEPENDING ON THE QUANTITY OF THE WORK ORDER.
  - PARTS TO BE SPOOLED AS SHOWN
  - PARTS NOT TO BE TWISTED OR BENT ON CARRIER
  - FOR SPQ DETAILS SEE TABLE-1

THIS DRAWING CONTAINS INFORMATION THAT IS PROPRIETARY TO MOLEX ELECTRONIC TECHNOLOGIES, LLC AND SHOULD NOT BE USED WITHOUT WRITTEN PERMISSION												
<b>QUALITY SYMBOLS</b> 	EC NO: 105164 DRWN: VLM CHK'D: JALEXANDER APPR: JALEXANDER	2016/03/25 2016/06/02 2016/06/02	GENERAL TOLERANCES (UNLESS SPECIFIED)			DIMENSION UNITS		SCALE				
			ANGULAR TOL ± °			mm		1:1				
			4 PLACES ±			BR02		DATE		PACKAGING SPECIFICATION FOR ECONOLATCH TERMINALS		
			3 PLACES ±			CHK'D BY		DATE				
2 PLACES ±			APPR BY		DATE		PACKAGING DESIGN DRAWING					
1 PLACE ±			KPRASAD		2014/08/06							
0 PLACES ±			DRAWING SIZE		THIRD ANGLE PROJECTION		SERIES		MATERIAL NUMBER		CUSTOMER	
DRAFT WHERE APPLICABLE MUST REMAIN WITHIN DIMENSIONS			A3				150180		SEE TABLE-1		GENERAL MARKET	
				DOCUMENT NUMBER		DOC TYPE		DOC PART		SHEET NUMBER		
				PK-150180-001		PDD		000		1 OF 1		

RELEASE STATUS	RELEASE DATE
----------------	--------------