

PART NUMBER : 7311E0225S01001LF

GENERAL :

High cycle life duration smart card connector with landing type contacts mechanism. The landing type connector also provides the feature of recessed contacts when card is not inserted which protects them against vandalism.
Smart card for reference purposes only.

ELECTRICAL PROPERTIES:

Insulation resistance : > 1000MΩ
Dielectric withstanding voltage : > 750 Vrms
Current carrying capacity : Min 10μA, Max 1A
Contact resistance : < 100mΩ

MECHANICAL PROPERTIES :

Operating force : Insertion : F < 10N
Withdrawal : 1 < F < 10N
Contact Normal force : 0.2 < F < 0.3 for 0.6mm of deflection
Durability : 500,000 mating cycles

MATERIAL :

Head reader : High temp. Thermoplastic, Black, Rated UL94V0
Cover : High temp. Thermoplastic, Colour. Black, Rated UL94V0
Contacts : Copper alloy,
Plating : Nickel min. all over
Gold/Equivalent PdNi on contact area
Matte tin min. on solder tails

ENVIRONMENT :

Operating temperature : -40°C / +85°C
Climatic conditions : UTE 93-421

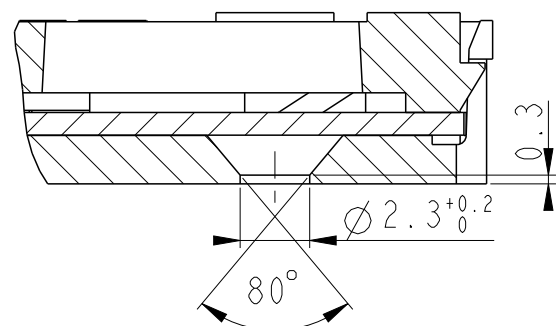
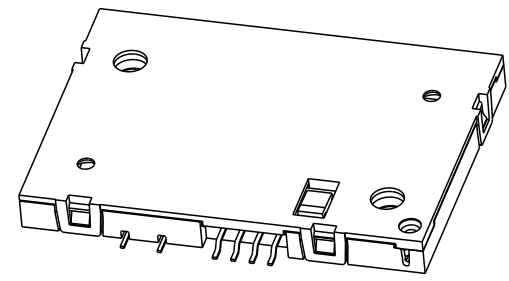
PACKAGING :

Plastic cavity tray

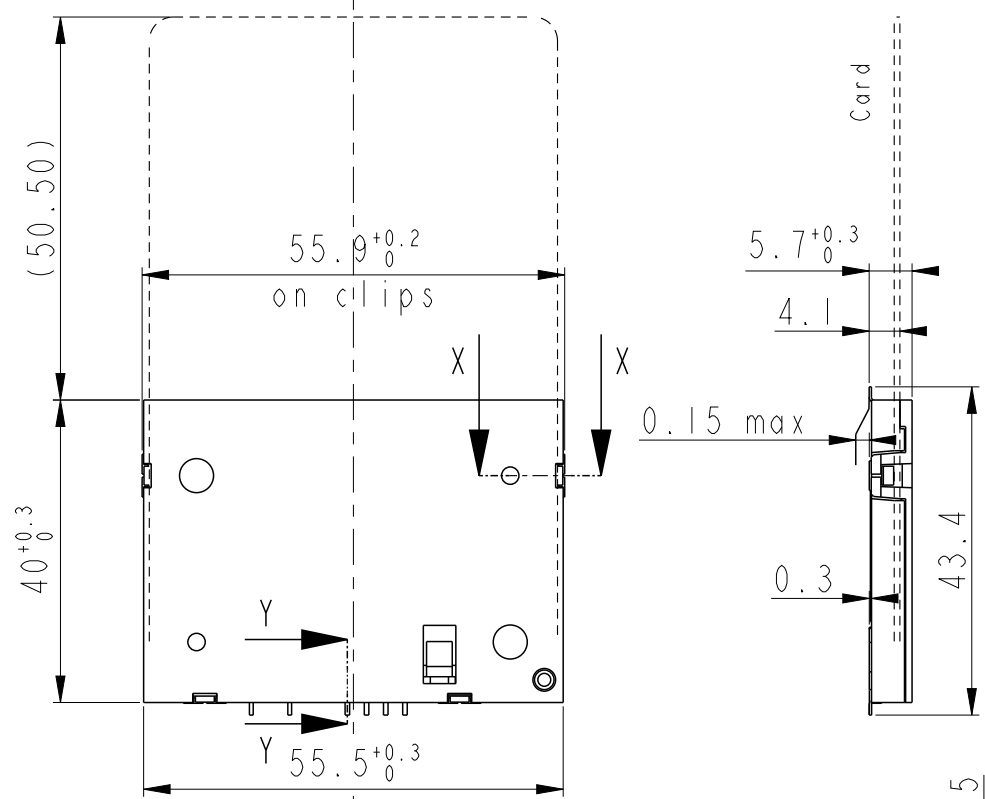
LEAD FREE VERSION:

"This product meets European Union Directives and other country regulations as described in GS-47-0004"

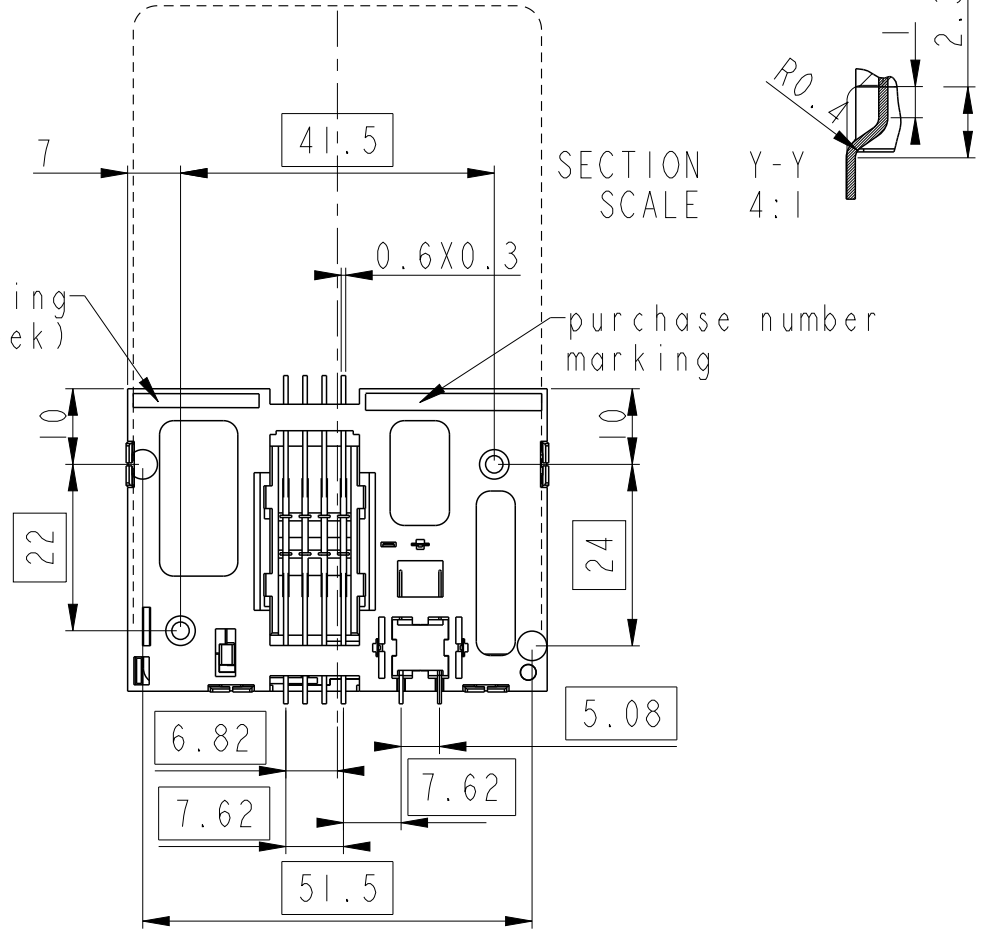
The housing will withstand exposure to 260°C peak temperature for 10seconds in a convection reflow oven.



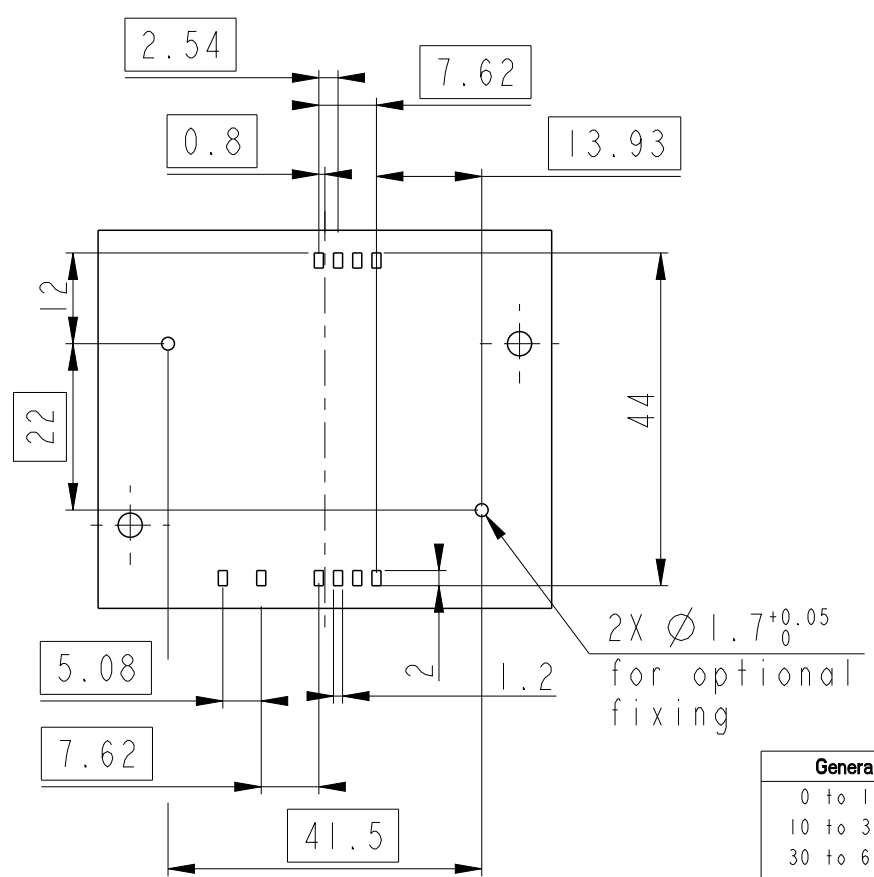
SECTION X-X
SCALE 4:1



SECTION Y-Y
SCALE 4:1



Recommended PCB Layout (Component side)



manufacturing date (year-week)

purchase number marking

spec ref	--	dr	P-Mathew Nebu	2014/02/26
tolerance std	ISO 406 ISO 1101	eng	P-Mathew Nebu	2014/03/03
TOLERANCES UNLESS OTHERWISE SPECIFIED		chr	-	-
		appr	K-Paul Biju	2014/03/03

General Tolerances	
0 to 10mm:	±0.1mm
10 to 30mm:	±0.15mm
30 to 60mm:	±0.2mm
60 and more:	±0.3mm

surface	ISO 1302	linear	0.X	±
			0.XX	±
			0.XXX	±
		angular	0°	±°

projection	mm	size	A3	scale	1:1
product family		MOBILE I/O	rel level	Released	

title	8 POS. SMT E02 WITHOUT PEGS	dwg no	10128659	rev	A
www.fci.com	cat. no.	-	Product - Customer Drw	sheet 1 of 1	