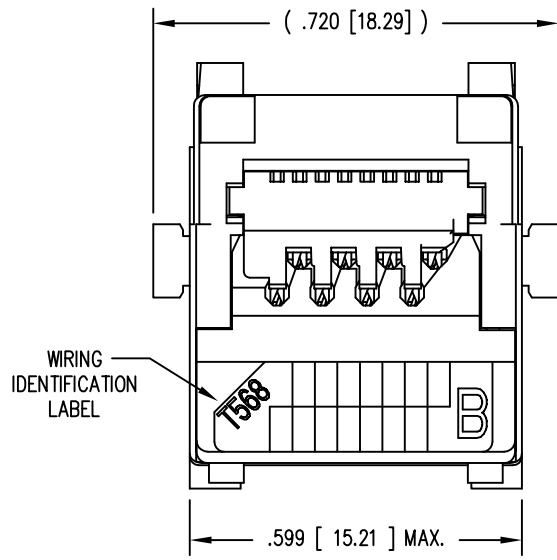
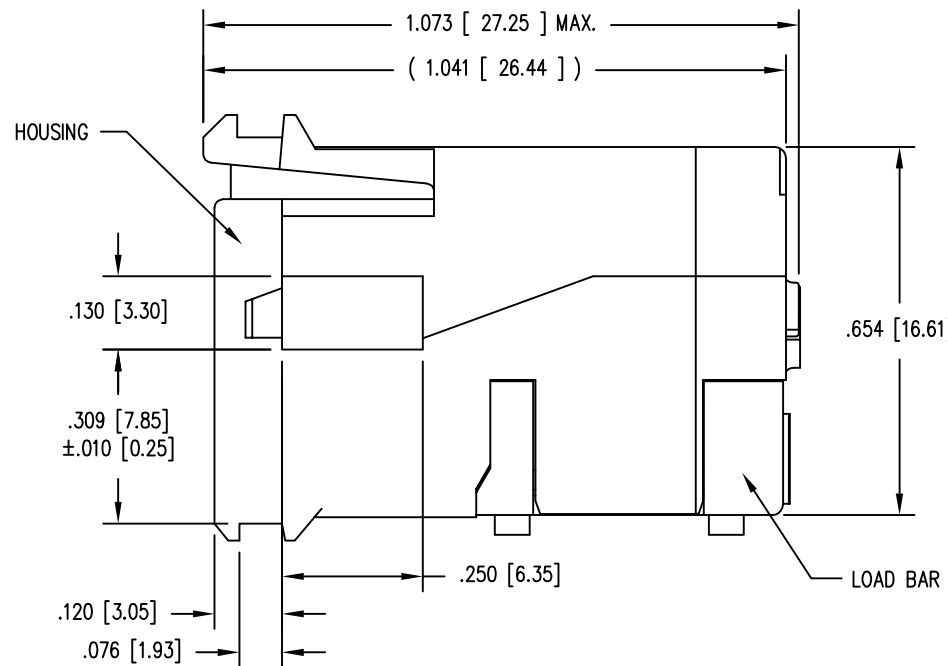
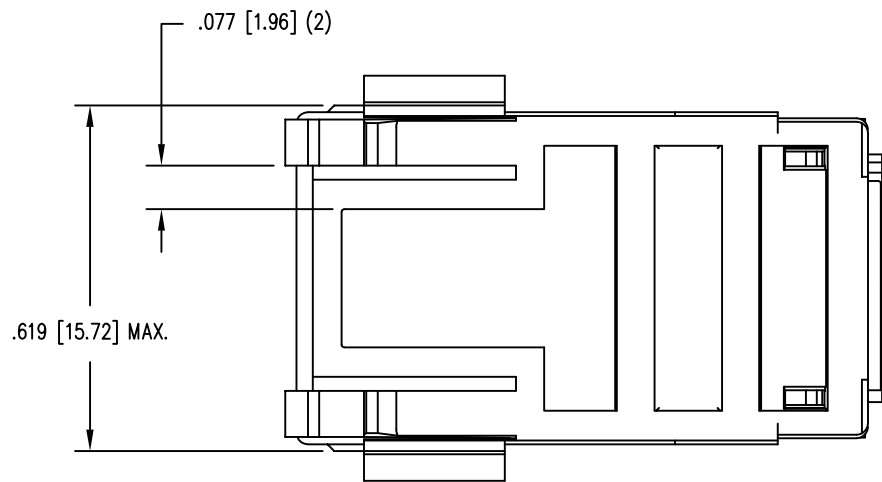
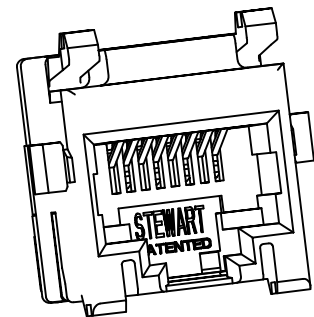
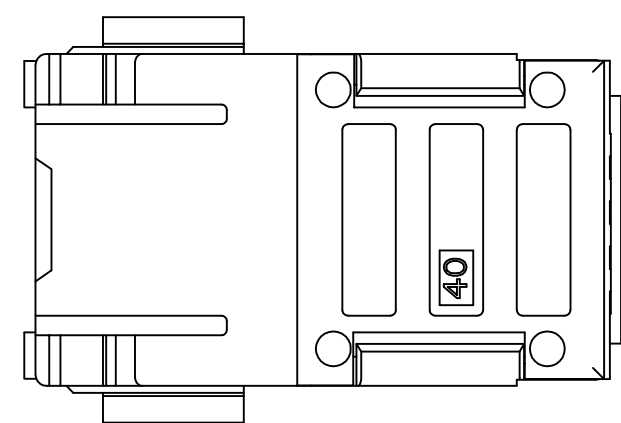
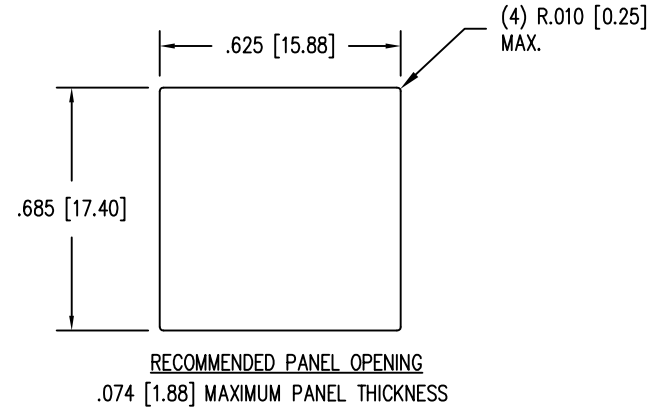


DATE	REV	ECN	APP'D. BY
1-20-15	A7	10227	TRM
1-13-16	A8	10495	TRM



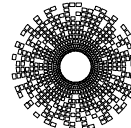
- NOTES:
- CONNECTOR MATERIALS:
HOUSING: THERMOPLASTIC UL94 V-0
CONTACTS: COPPER ALLOY
CONTACT PLATING: SELECTIVE GOLD IN CONTACT AREA
SEE CHART FOR PART NUMBER
 - JACK SPECIFICATION: FOR CATEGORY 5E APPLICATIONS.
 - DIMENSIONS AND TOLERANCES COMPLY WITH TIA-1096 STANDARD.
 - BEZELS AVAILABLE - DATA, VOICE
 - WIRE RANGE 26 TO 24 AWG [0.41 - 0.51]
 - WIRE INSULATION DIA RANGE .036 - .042 [0.91 - 1.07]
 - SUITABLE FOR GIGA-BIT ETHERNET APPLICATIONS
 - FOR PRODUCT SPECIFICATION SEE PR026-01

50 MICRO-INCHES [1.27um]	SS-82000-002
CONTACT PLATING IN MATING AREA	PART NUMBER



THIRD ANGLE PROJECTION

 DO NOT SCALE DRAWING
 DRAWING IS SUBJECT TO
 CHANGE WITHOUT NOTICE
 DIMENSIONS: INCHES [METRIC]
 UNLESS OTHERWISE SPECIFIED
 TOLERANCES ARE ±.005 [0.13]
 ANGLES ARE ± 1°
 SHEET NO. 1 OF 1


stewart
 CONNECTOR
 a bel group
 1118 Susquehanna Trail South
 Glen Rock, PA 17327-9199
 (717) 235-7512
<http://www.stewartconnector.com>

TITLE: CABLE READY CAT5e JACK
(SHOWN IN TERMINATED CONDITION)

THIS DRAWING AND THE SUBJECT MATTER SHOWN THEREON ARE CONFIDENTIAL AND THE PROPRIETARY PROPERTY OF STEWART CONNECTOR AND SHALL NOT BE REPRODUCED, COPIED, OR USED IN ANY MANNER WITHOUT PRIOR WRITTEN CONSENT OF STEWART CONNECTOR. THIS PRODUCT MAY BE PROTECTED BY ONE OR MORE OF THE FOLLOWING US PATENTS: 5791942 6217391 6368159 6419526 6602097 687722 6964587 7048590 7086909 7568950 7686650 OTHER PATENTS MAY BE PENDING.

DRN BY: DAB	DATE 3-3-99
APPD BY: RGC	DATE 3-3-99
DWG NO. CT820004	REV. A8