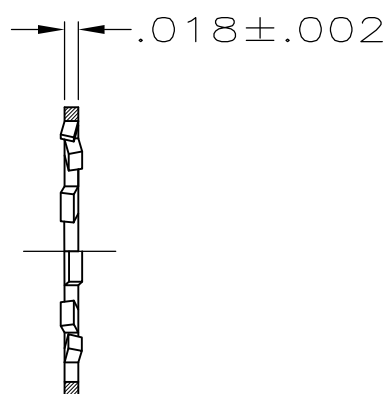
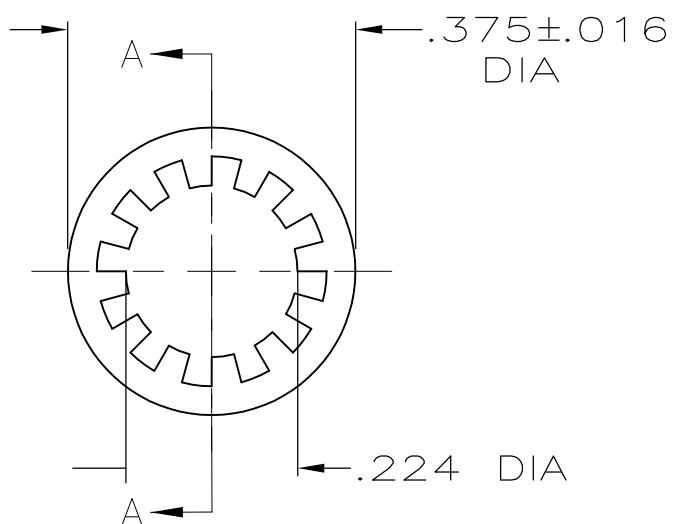


THIS DRAWING IS UNPUBLISHED. RELEASED FOR PUBLICATION

© COPYRIGHT BY TYCO ELECTRONICS CORPORATION. ALL RIGHTS RESERVED.

LOC	DIST	REVISIONS			
P	LTR	DESCRIPTION	DATE	DWN	APVD
	D	REV PER ECO-09-025083	25NOV2009	AEG	WKE



SECTION A-A

- ① STEEL PER SAE-AMS-QQ-S-700
- ② STAINLESS STEEL PER ASTM-A-240
- ③ SILVER PLATE PER QQ-S-365
- ④ GOLD PER ASTM-B-488
- ⑤ PASSIVATED PER AMS-QQ-P-35

③	①	5-328691-0
⑤	②	1-328691-3
④	②	1-328691-2
③	①	328691
FINISH	MATERIAL	PART NUMBER

THIS DRAWING IS A CONTROLLED DOCUMENT.		DWN P. YEAGER 09MAR06	Tyco Electronics Corporation Harrisburg, Pa 17105-3608		
DIMENSIONS: INCHES	TOLERANCES UNLESS OTHERWISE SPECIFIED:	CHK W. MOYER 10MAR06	NAME LOCKWASHER		
	0 PLC ± - 1 PLC ± - 2 PLC ± - 3 PLC ± .008 4 PLC ± - ANGLES ± -	APVD W. MOYER 10MAR06	PRODUCT SPEC	SIZE	CAGE CODE
MATERIAL	FINISH	APPLICATION SPEC	—	A3	00779
—	—	WEIGHT	—	DRAWING NO G-328691	
CUSTOMER DRAWING			RESTRICTED TO	SCALE	SHEET
			—	1:1	1 OF 1
				REV	D