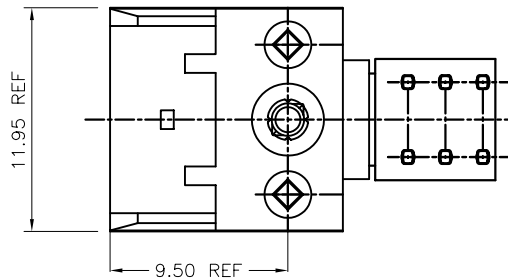
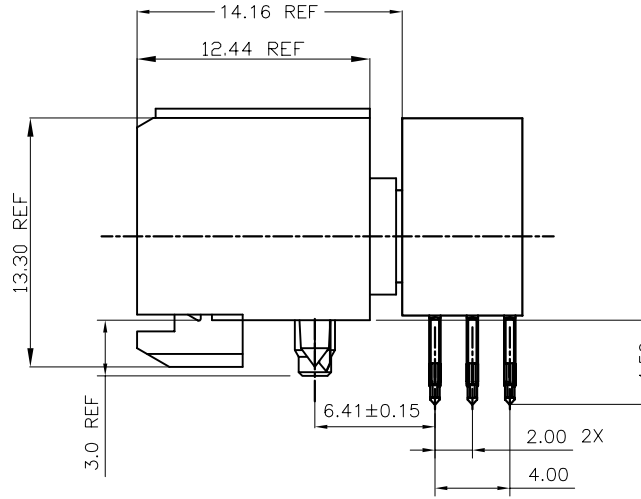
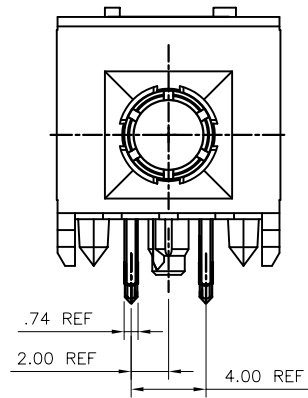


PRODUCT NO.	PCB ATTACHMENT	P.C.B THICKNESS
63734-101	PRESS-PEG	2.4

NOTE 7

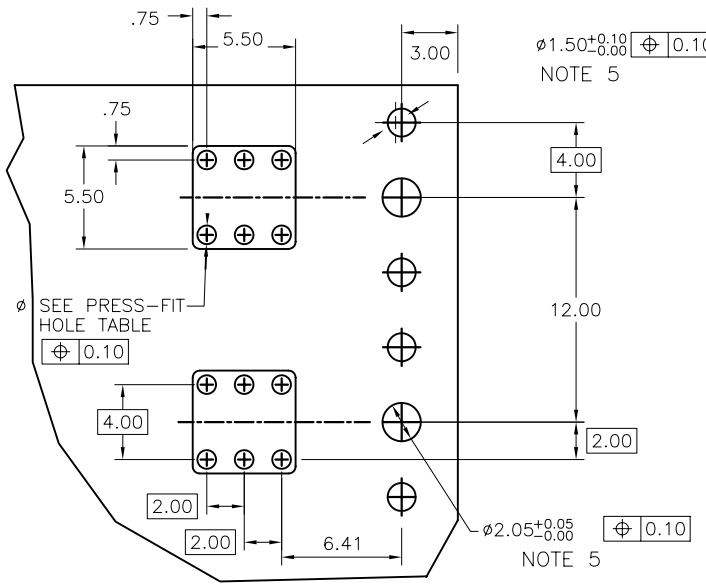
PRESS-FIT HOLES	
HOLE DIAMETER	
AFTER PLATING	0.65-0.80
DRILLED HOLE	0.81-0.86
COPPER PLATING	0.025 MIN.
SnPb OR Sn PLATING	0.005-0.015



NOTES:

- ① BODY MATERIAL: LCP, 30% GLASS-FILLED, FLAME RETARDANT, ACC, UL94-V0
- ② TERMINAL MATERIAL: BeCu
- ③ PLATING SOLDER TAILS: 2.5µm SnPb
- ④ PLATING CONTACT AREA: 0.80µm Au OVER 1.3µm Ni.
- ⑤ INDICATED HOLES ARE UNPLATED
- ⑥ PRODUCT MARKING: PART NUMBER & BATCH I.D.
- ⑦ ADD "LF" SUFFIX AT THE END OF PART NUMBER FOR LEAD FREE OPTION.
- ⑧ THIS PRODUCT MEETS EUROPEAN UNION DIRECTIVES AND OTHER COUNTRY REGULATION AS DESCRIBED IN GS-22-008.
- ⑨ THE HOUSING WILL WITHSTAND EXPOSURE TO 260°C PEAK TEMPERATURE FOR 15 SECONDS IN A WAVE SOLDER APPLICATION WITH A 1.5mm MINIMUM THICK CIRCUIT BOARD OR FOR 20 SECONDS IN A CONVECTION, INFRA-RED OR VAPOR PHASE REFLOW OVEN. SEE APPLICATION NOTES/PROCEDURES IF THEY ARE AVAILABLE.

FCJ
FCconnect.com
Copyright FCJ



RECOMMENDED PC BOARD HOLE PATTERN (COMPONENT SIDE)

mat'l. code		surface	tolerance	projection	product family
SEE NOTES		ISO 1302	ISO 406		METRAL (tm)
ltr	ec'n no	dr	date	title	
A	v82172	MDF	1/13/99	POWER CONNECTOR ASSEMBLY, 5 ROW	
B	v01599	JWS	7/13/00	angles	linear
C	v05-0183	DAI	04/14/05	0°±2'	.00±.13
D	m06-0277	MHT	7/22/06	dr	M.FETROW 12/16/98
E	m07-0111	MHT	2/14/07	engr	C.PENDLETON 12/16/98
F	m08-0134	MHT	5/14/08	chr	C.PENDLETON 12/16/98
				appd	C.PENDLETON 12/16/98
sheet	revision	F		type Product Customer Drawing	
index	sheet	1			



63734 A3