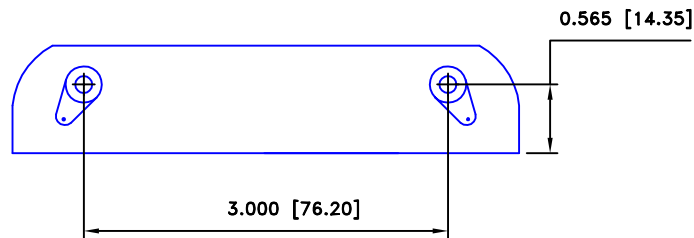
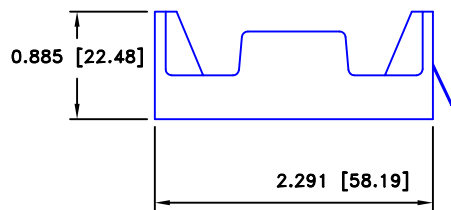
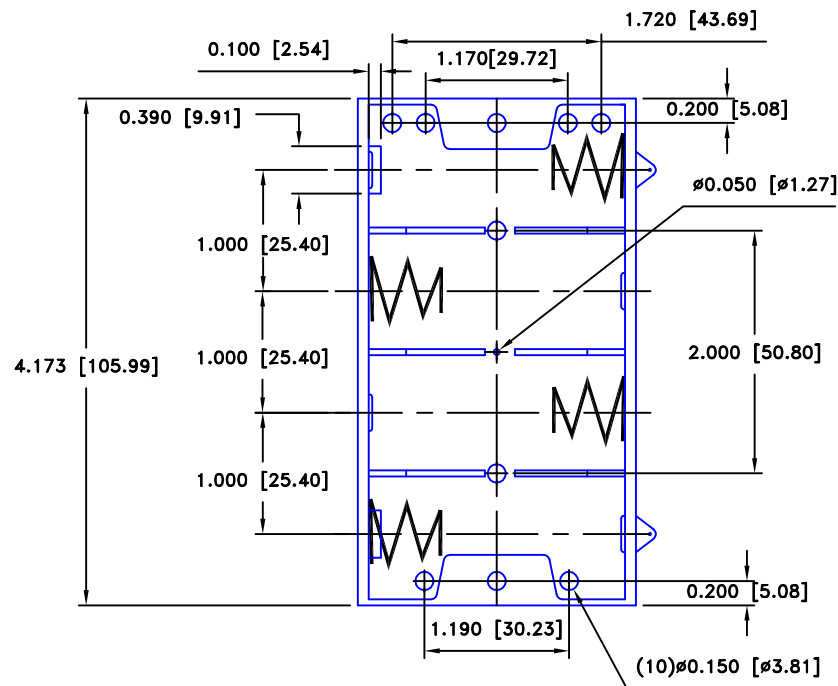


Date	SYM	REVISION RECORD	AUTH	DR.	CK.
11/12/05	A	ADDED "ROHS COMPLIANT"	T.B.	B.S.	
3/18/06	B	UPDATED MATERIAL SPEC.	T.B.	B.S.	
5/06/06	C	ADDED CONTACT RESI. INFO.	T.B.	B.S.	




Solder Lugs shown

ORDERING CODE BH4C

### SPECIFICATIONS

Plastic material - Polypropylene  
 Flammability Rating -UL94-HB, UL File NO. E216959  
 Temperature Range: -10°C to +100°C  
 Springs - Nickel Plated Spring Steel  
 Wire - 26 AWG, UL1007, CSA  
 Rivets - Brass, Nickel Plated  
 9Volt Snaps - Brass, Nickel Plated  
 CONTACT RESISTANCE: UNDER 50mΩ FOR +/-  
 CONTACTS PER EIA-540J000  
 ROHS COMPLIANT

L- Solder Lugs  
 W- (6") Wire Leads  
 SF- 9Volt type snaps  
 B- Bump plates

Tolerance (Except as noted)	 <b>Memory Protection Devices, Inc</b> 200 Broad Hollow Road, Farmingdale, New York 11735		
decimal ±.5 (.020)	Scale 1=1	Drawn By T.S.	
Fractional ± .8 (.030)	Title FOUR "C" CELL HOLDER		
Angular ± 3°	Date 5/06/06	Drawing Number BH4CL	
Approved By T.B.			