

NOTES:

1. MATERIALS AND FINISHES:

- BODIES - BRASS, NICKEL PLATED
- CONTACT - PHOSPHOR BRONZE, GOLD PLATED (.000030" THICK MIN)
- BULLET CONTACT - BRASS, GOLD PLATED
- CRIMP FERRULE - ANNEALED COPPER, NICKEL PLATED
- INSULATOR - PTFE
- O-RING & GASKET - SILICONE

2. ELECTRICAL: (FREQUENCY RANGE = DC TO 3.0 GHz)
V.S.W.R. (RETURN LOSS) = 1.250 MAX. (-19.1 dB)

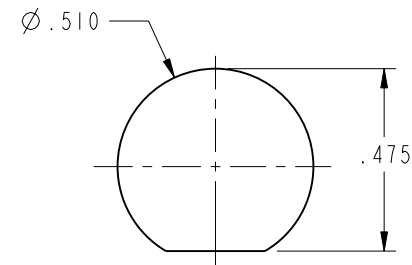
3. MECHANICAL:
WATER PROTECTION IN UNMATED CONDITION PER IEC 529, IP67
CONTINUOUS OPERATING TEMPERATURE: -40°C TO +85°C

5. INTERFACE MEETS THE REQUIREMENTS OF MIL-STD-348,
TNC SERIES, REVERSE POLARITY

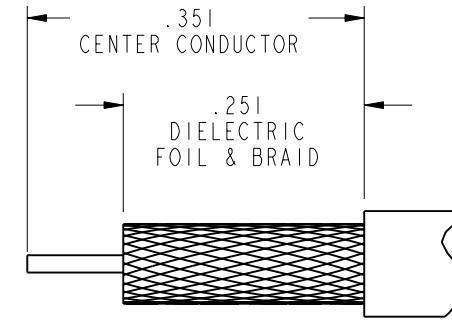
6. CABLE ASSEMBLY INSTRUCTIONS:

- TRIM CABLE AS SHOWN
- SLIDE CRIMP FERRULE ONTO CABLE
- CRIMP OR SOLDER BULLET CONTACT TO CABLE CENTER CONDUCTOR
- INSERT CABLE WITH BULLET CONTACT INTO REAR FERRULE BODY,
- SLIDING FOIL INTO THE BODY AND THE BRAID OVER THE BODY.
- CRIMP FERRULE USING A .178 HEX DIE

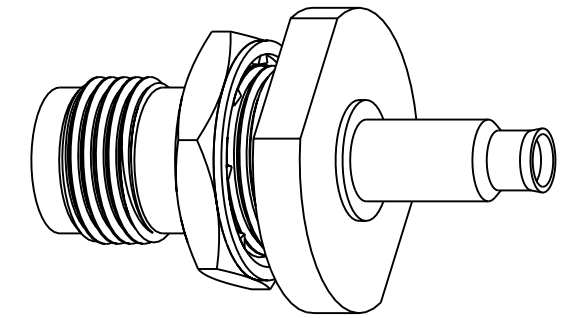
31-6110		REVISIONS			
DRAWING NO.	REV	DESCRIPTION	DATE	ECO	APPR
THIRD ANGLE PROJ.	A	RELEASE TO MFG.	7/7/03	44541	MAH
	B	ADDED RD-316 TO CABLE LIST	5/11/04	44947	



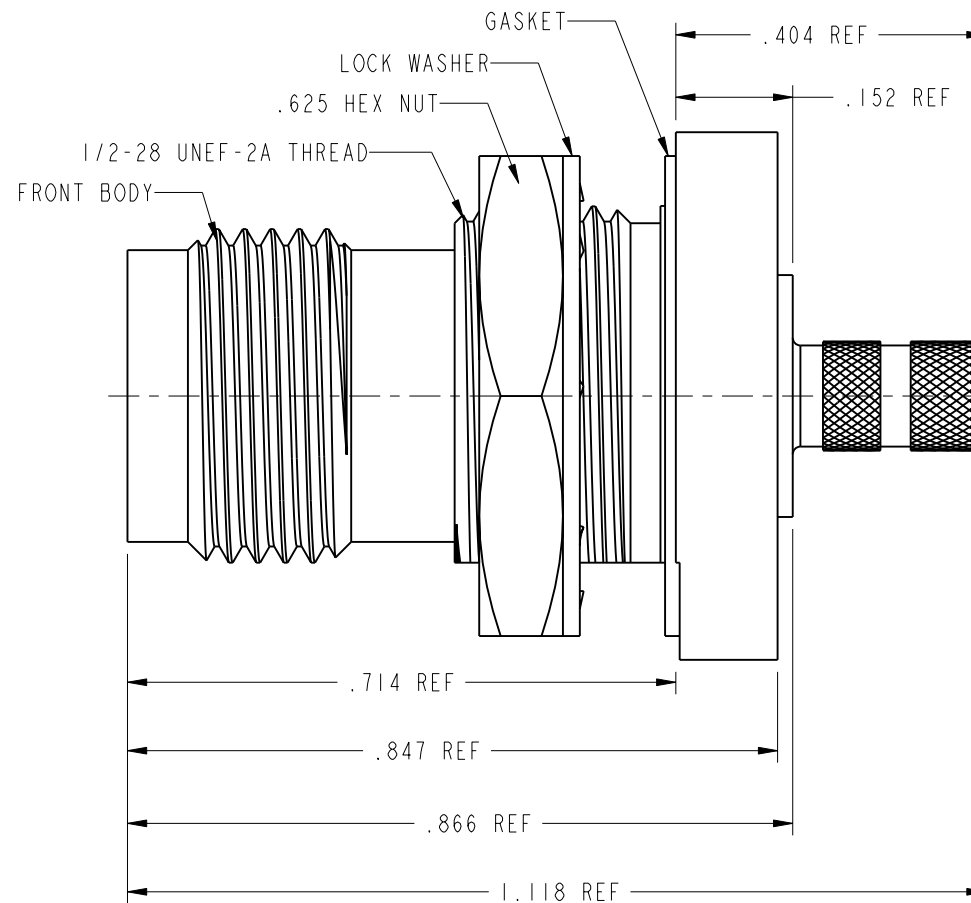
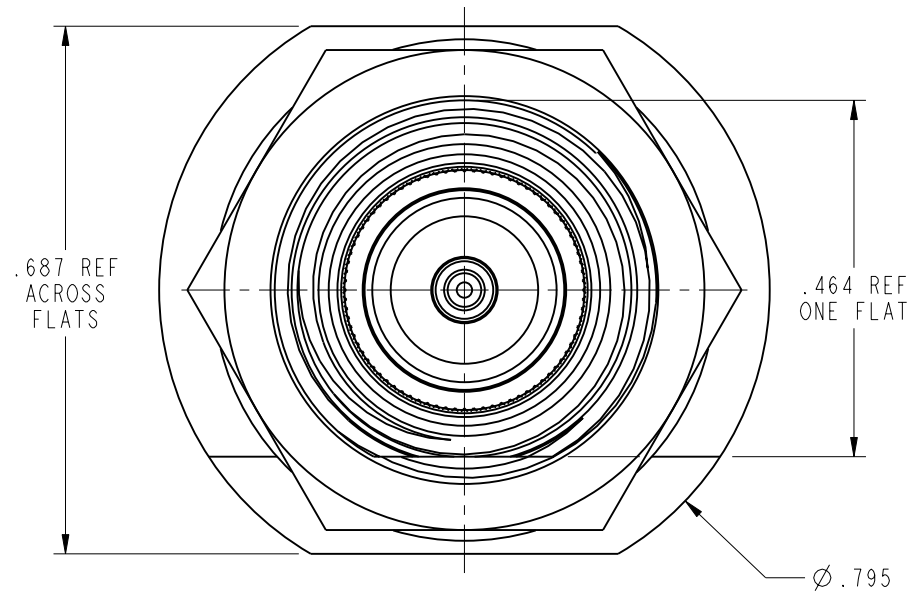
SUGGESTED MOUNTING HOLE
SCALE 2.000



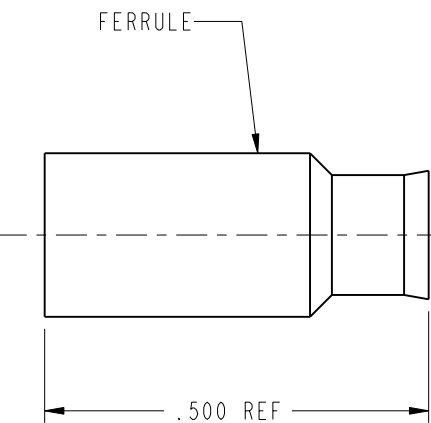
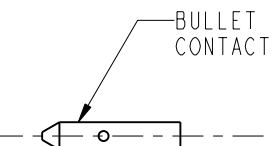
RECOMMENDED TRIM DIMENSIONS



SCALE 2.000



.5625 HEX



CUSTOMER OUTLINE DRAWING

ALL OTHER SHEETS ARE FOR INTERNAL USE ONLY

UNLESS OTHERWISE SPECIFIED, DIMENSIONS ARE IN INCHES AND TOLERANCES ARE:
2 PLACE DECIMAL 3 PLACE DECIMAL ANGLES
±.015 (0,381 mm) ±.005 (0,127 mm) ± 1°

NOTICE - These drawings, specifications, or other data (1) are, and remain the property of Amphenol Corp. (2) must be returned upon request; and (3) are confidential and not to be disclosed to any person other than those to whom they are given by Amphenol Corp. The furnishing of these drawings, specifications, or other data by Amphenol Corp., or to any other person to anyone for any purpose is not to be regarded by implication or otherwise in any manner licensing, granting rights or permitting such holder or any other person to manufacture, use or sell any product, process or design, patented or otherwise, that may in any way be related to or disclosed by said drawings, specifications, or other data.

MATERIAL	DRAWN	DATE	TITLE
	MIKE HOYACK	27-Jan-03	TNC JACK SEALED BULKHEAD, REVERSE POLARITY, FOR RG-174 RG-316 AND RD-316
REFERENCE	ENGINEER	DATE	Amphenol RF Danbury, CT, USA Tainan, Taiwan Shenzhen, China www.amphenolrf.com
EAR 841 611X-4117-100 GEN# ASSYF38_TNC SIMILAR TO: 31-6100	MIKE HOYACK	27-Jan-03	SCALE: 4.0:1 SHEET 2 OF 2
	APPROVED	DATE	
	O. BARTHELME	7/2/03	
	CAD FILE	CODE ID	DWG SIZE
	I:\TNC\31-6110	74868	B

DRAWING NO.	REV	DESCRIPTION	DATE	ECO	APPR
31-6110	A	RELEASE TO MFG.	7/7/03	44541	MAH
	B	ADDED RD-316 TO CABLE LIST	5/11/04	44947	

DRAWING NO.	REV	DESCRIPTION	DATE	ECO	APPR
31-6110	B	ADDED RD-316 TO CABLE LIST	5/11/04	44947	