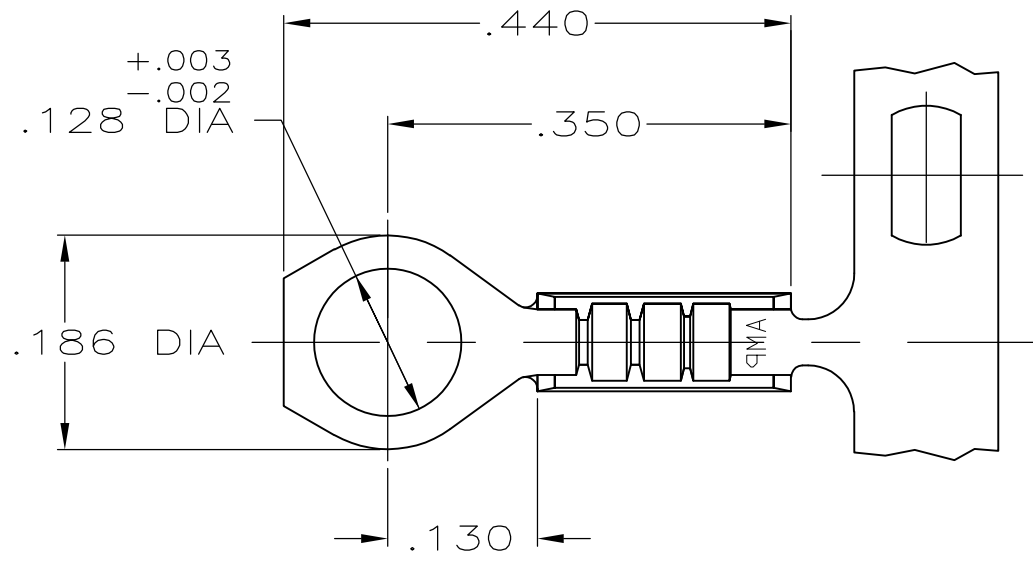
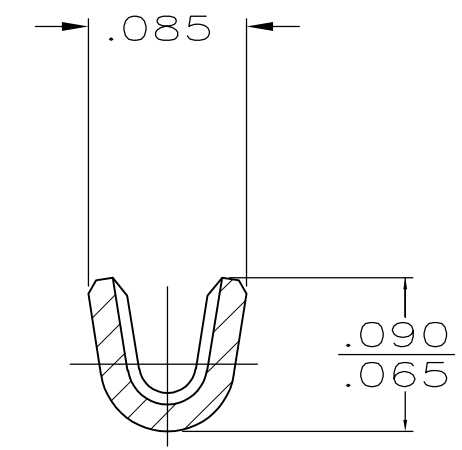
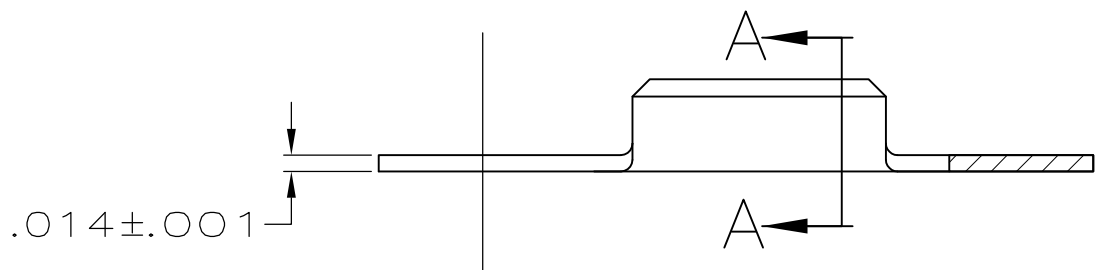


THIS DRAWING IS UNPUBLISHED. RELEASED FOR PUBLICATION  
 © COPYRIGHT BY TYCO ELECTRONICS CORPORATION. ALL INTERNATIONAL RIGHTS RESERVED.

LOC	DIST	REVISIONS			
P	LTR	DESCRIPTION	DATE	DWN	APVD
AF	50	G	REVISED PER ECR-08-007819	19NOV08	HMR DD



- 1 CONTINUOUS STRIP ON REELS
- 2 GOLD FLASH OVER NICKEL PLATE
- 3 TIN PLATING.



SECTION A-A  
SCALE 10:1

.030-.035 DIA	TINSEL WIRE	3	61505-2
		2	61505-1
INSULATION RANGE	WIRE RANGE	FINISH	PART NO

THIS DRAWING IS A CONTROLLED DOCUMENT.		DWN P FORTNEY 3/30/90	Tyco Electronics Corporation Harrisburg, PA 17105-3608	
DIMENSIONS: INCHES		CHK JR RUTH 3/30/90		
		TOLERANCES UNLESS OTHERWISE SPECIFIED:		NAME
MATERIAL #4 HARD BRASS		FINISH SEE TABLE		RING
		PRODUCT SPEC	APPLICATION SPEC	RESTRICTED TO
		WEIGHT	—	—
		CUSTOMER DRAWING	SCALE 6:1	SHEET 1 OF 1
		SIZE A3	CAGE CODE 00779	DRAWING NO C-61505
				REV G