

PART NO.  
DWG. NO.

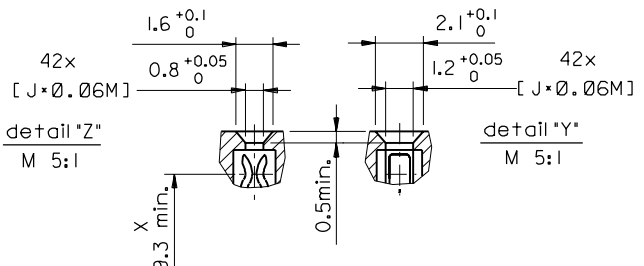
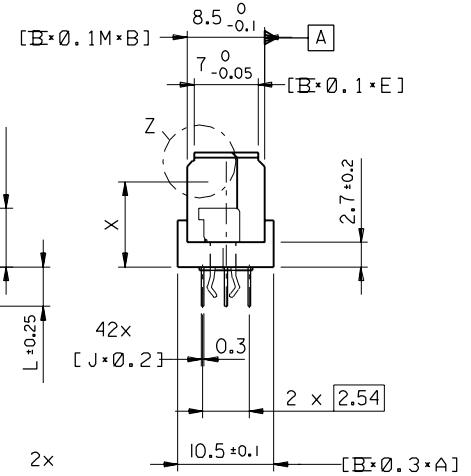
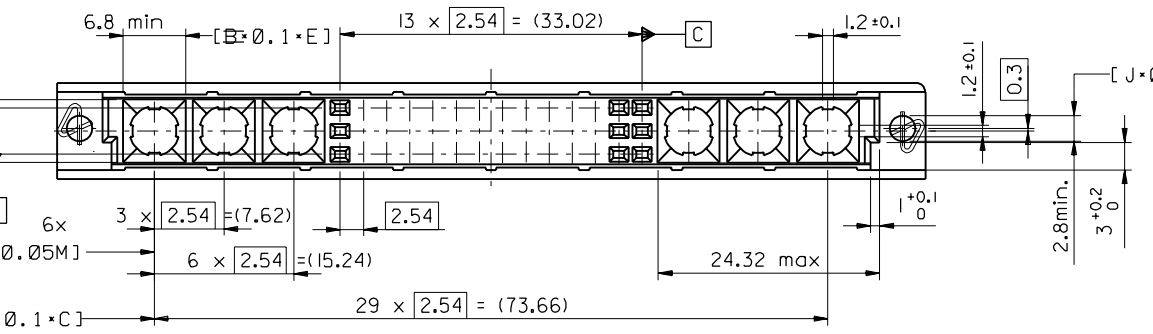
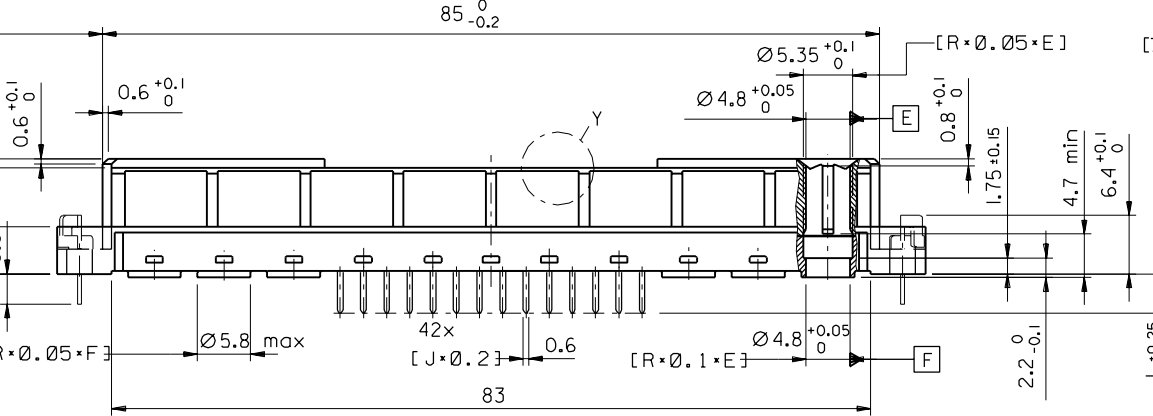
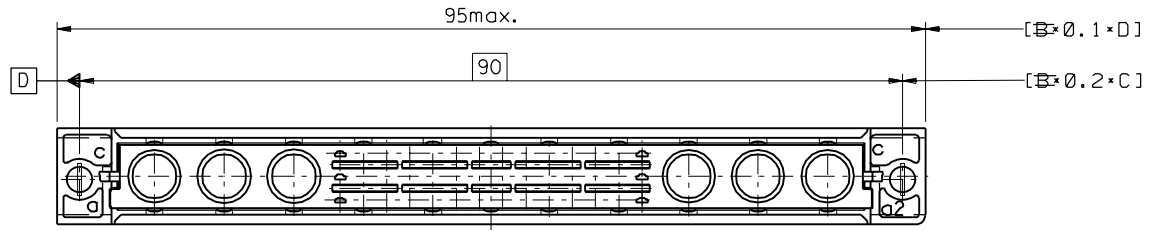
[B × 0.1M × C]

[B × 0.1 × E]

[B × 0.1 × C]

detail "Z"  
M 5:1

7132-1283



FIRST ANGLE PROJECTION		REVISE ONLY ON CAD SYSTEM		SH.	REV.
UNLESS OTHERWISE SPECIFIED TOLERANCES: ANGULAR ±2°		CAD/CAM PROJECT NAME		85048000	
INCH		831		THIS DRAWING CONTAINS INFORMATION THAT IS PROPRIETARY TO MOLEX INC. & SHOULD NOT BE USED WITHOUT WRITTEN PERMISSION	
METRIC		TITLE		42 pol. Federleiste	
3 PLACE ±		42 pos. female connector		DIN 41612, style M	
2 PLACE ±		MOLEX EUROPE		SHEET NO. DATE	
1 PLACE ±		SCALE		1 OF 2 97/04/10	
DRAFT WHERE APPLICABLE MUST REMAIN WITHIN DIMENSIONS		PART NO.		DWG. NO.	
DESIGN DIMENSION <input checked="" type="checkbox"/> MM		SD-85048-0003		SIZE	
EQUIVALENT DIMENSION <input type="checkbox"/> MM		2:1		B	
FOR PREVIOUS REVISIONS SEE MRI LIST		SCALE		SCALE	
DRWG BY		SIGN		SCALE	
CHK'D BY		SIGN		SCALE	
APP'D BY		SIGN		SCALE	
LTR		SCALE		SCALE	
A		2:1		SCALE	

ECN 2478  
first release

REVISIONS  
FOR PREVIOUS REVISIONS SEE MRI LIST

DRWG BY  
SIGN  
KN

CHK'D BY  
SIGN  
Ca

APP'D BY  
SIGN  
JB

SCALE  
2:1

REVISIONS

UNLESS OTHERWISE SPECIFIED TOLERANCES: ANGULAR ±2°

INCH METRIC

3 PLACE ± ±

2 PLACE ± ±

1 PLACE ± ±

DRAFT WHERE APPLICABLE MUST REMAIN WITHIN DIMENSIONS

DESIGN DIMENSION  MM

EQUIVALENT DIMENSION  MM

FOR PREVIOUS REVISIONS SEE MRI LIST

DRWG BY SIGN KN

CHK'D BY SIGN Ca

APP'D BY SIGN JB

SCALE 2:1

REVISIONS

UNLESS OTHERWISE SPECIFIED TOLERANCES: ANGULAR ±2°

INCH METRIC

3 PLACE ± ±

2 PLACE ± ±

1 PLACE ± ±

DRAFT WHERE APPLICABLE MUST REMAIN WITHIN DIMENSIONS

DESIGN DIMENSION  MM

EQUIVALENT DIMENSION  MM

FOR PREVIOUS REVISIONS SEE MRI LIST

DRWG BY SIGN KN

CHK'D BY SIGN Ca

APP'D BY SIGN JB

SCALE 2:1

REVISIONS

UNLESS OTHERWISE SPECIFIED TOLERANCES: ANGULAR ±2°

INCH METRIC

3 PLACE ± ±

2 PLACE ± ±

1 PLACE ± ±

DRAFT WHERE APPLICABLE MUST REMAIN WITHIN DIMENSIONS

DESIGN DIMENSION  MM

EQUIVALENT DIMENSION  MM

FOR PREVIOUS REVISIONS SEE MRI LIST

DRWG BY SIGN KN

CHK'D BY SIGN Ca

APP'D BY SIGN JB

SCALE 2:1

A

B

VIEW ON MATING SIDE

∩																								
∩	A	A	A	A	A	A	A	A	A	A	A	A	A	A	A	A	A	A	A	A	A	A	A	A
∩	A	A	A	A	A	A	A	A	A	A	A	A	A	A	A	A	A	A	A	A	A	A	A	A

1 2 3 4 5 6 7 8 9 10 11 12 13 14 15 16 17 18 19 20 21 22 23 24 25 26 27 28 29 30 31 32 33 34 35 36 37 38 39 40 41 42

A = 42 STANDARD CONTACTS L=4,5

Marking	standard
Performance level	G2/0 = Contact area level2 / Termination tin
Flux proof	yes
Fixing clip	no
Dimensions	SD-85048-0003 sht.1
Technical Data	PS-85042-0001

A	G2/0	a10-23 b10-23 c10-23
Contact symbol	Perform. level	Contact position number

REVISIONS	REVISE ONLY ON CAD SYSTEM	SH. REV.
ECN 2478 first release	CAD/CAM PROJECT NAME S8504800 S71	SHEET NO. DATE 1 OF 1 97/05/26
FOR PREVIOUS REVISIONS SEE MRI LIST		
LTR	TITLE 42 pos. female connector acc. DIN 41612, style M contacts arrangement	DWG NO. PART NO. 85048-0074 SD-85048-0074
UNLESS OTHERWISE SPECIFIED TOLERANCES: ANGULAR ±2° INCH METRIC 3 PLACE ± .                    ± 2 PLACE ± .                    ± 1 PLACE ± .                    ± DRAFT WHERE APPLICABLE MUST REMAIN WITHIN DIMENSIONS DESIGN DIMENSION <input type="checkbox"/> MM <input type="checkbox"/> IN. EQUIVALENT DIMENSION <input type="checkbox"/> MM <input type="checkbox"/> IN. IF TWO DIMENSIONS ARE SHOWN, THE UPPER IS THE DESIGN DIMENSION, LOWER IS SECONDARY	DRWG BY    KN CHK'D BY    CA APP'D BY    JB SCALE	SIGN SIGN SIGN
THIS DRAWING CONTAINS INFORMATION THAT IS PROPRIETARY TO MOLEX INC. & SHOULD NOT BE USED WITHOUT WRITTEN PERMISSION		