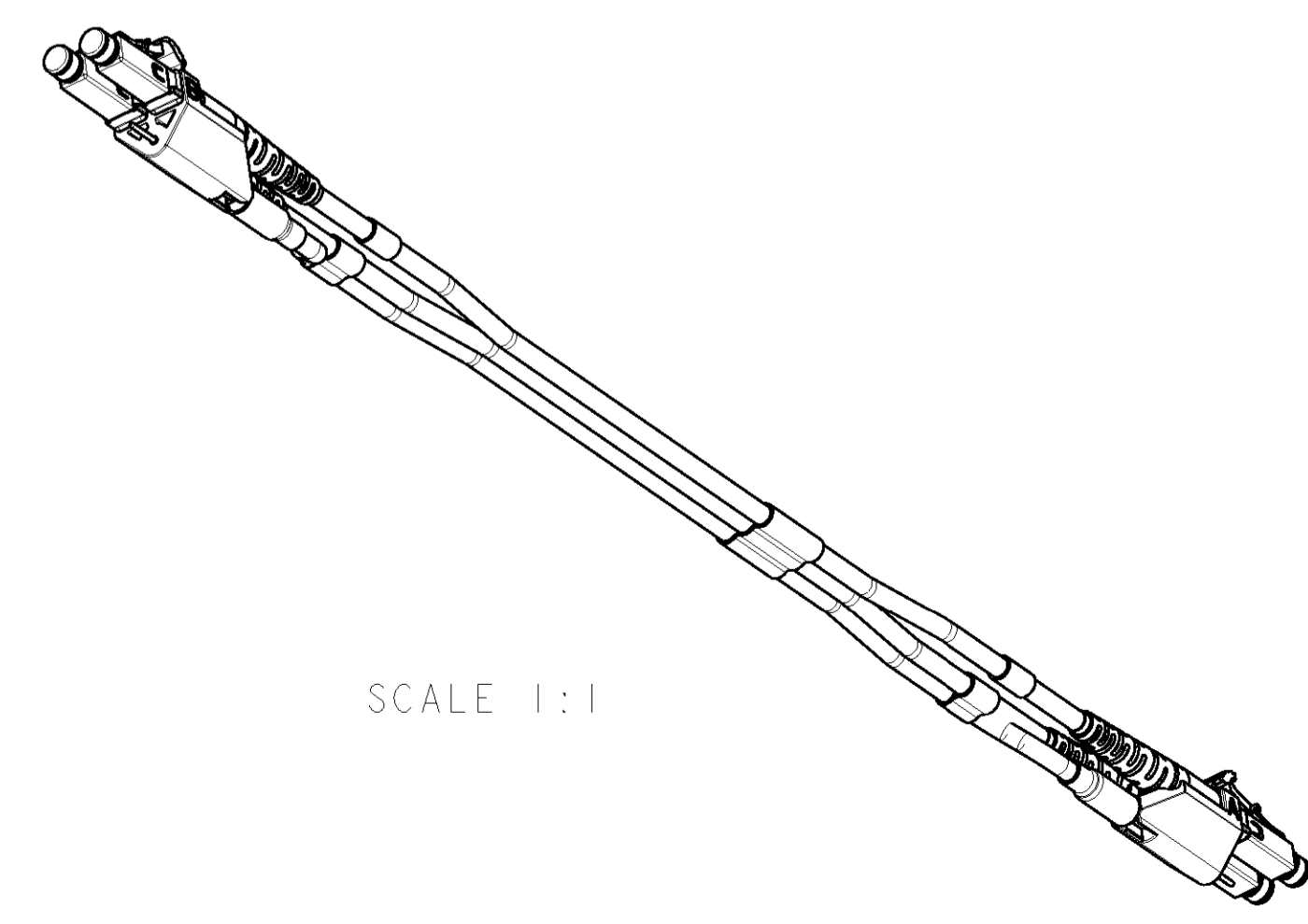
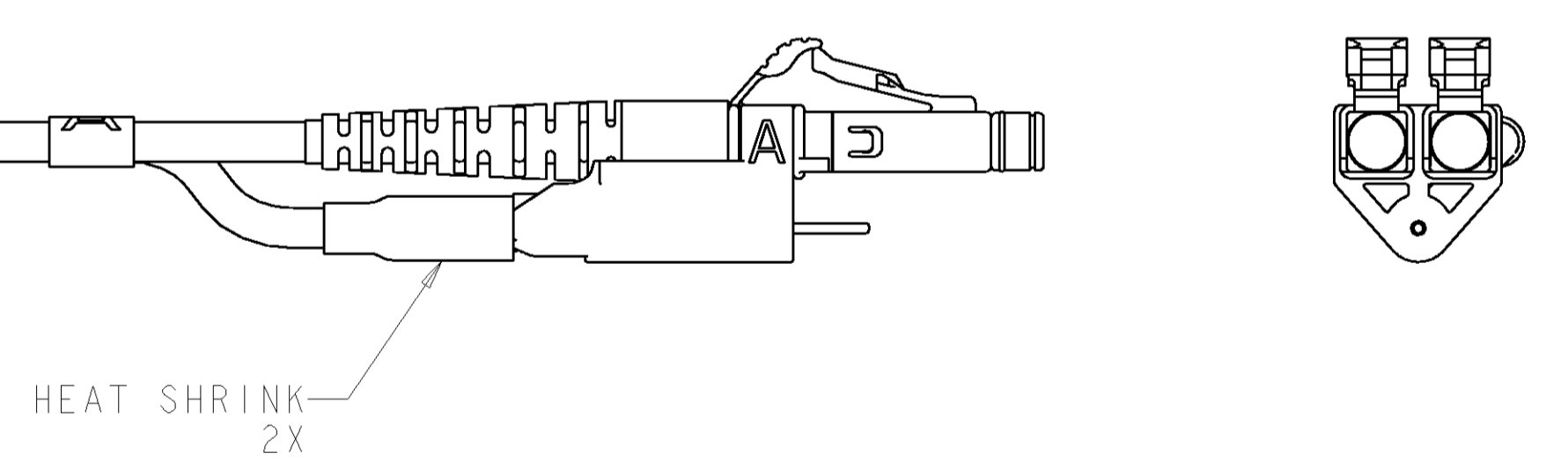
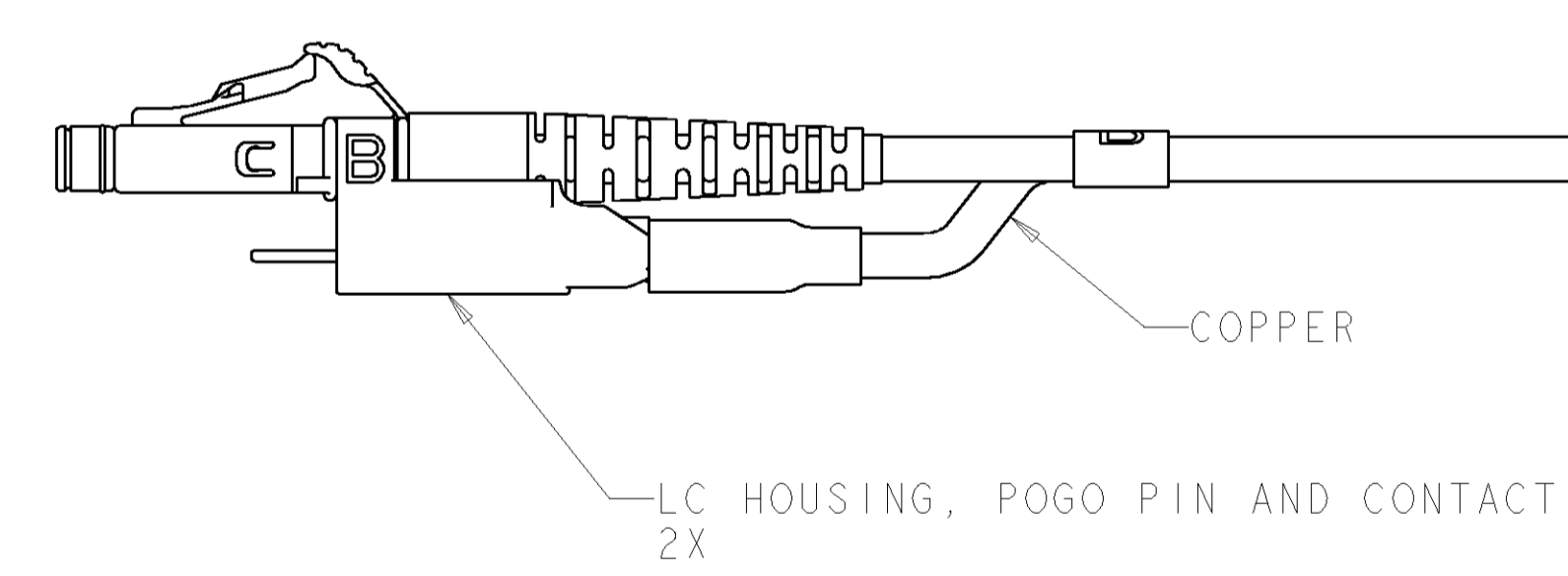
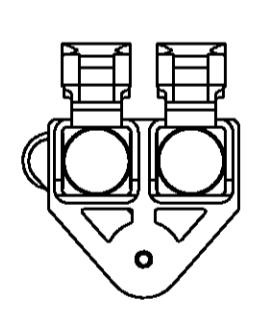
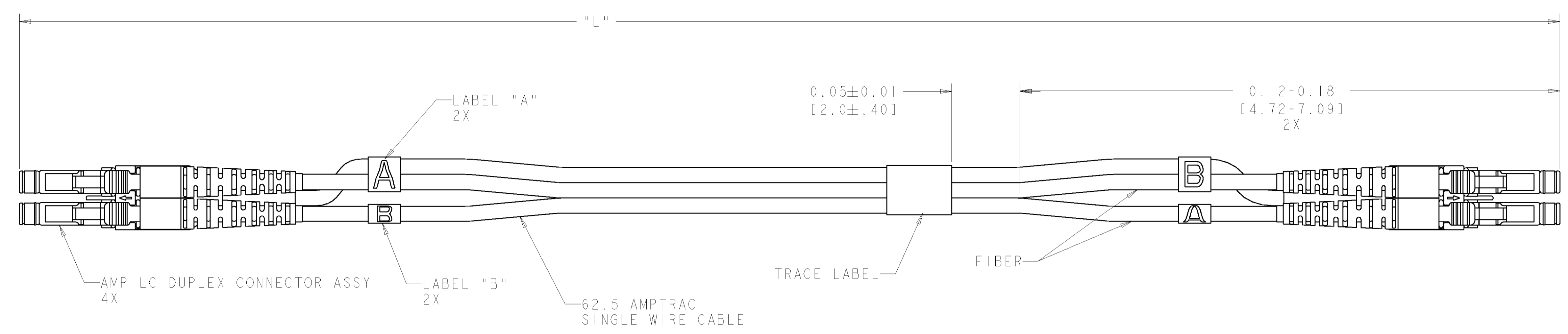


CONNECTOR LOSS (dB)	"L" METERS [INCHES]	PART NUMBER
.52	10.0±.15 [393.7±6]	1-1435789-0
.52	7.0±0.08 [275.6±3]	1435789-7
.51	5.0±.08 [196.9±3]	1435789-5
.50	3.0±.05 [118.1±2.0]	1435789-3
.50	2.0±.05 [78.7±2.0]	1435789-2
.50	1.0±.05 [39.4±2.0]	1435789-1

LOC	DIST	REVISIONS					
		P	LTR	DESCRIPTION	DATE	DWN	APVD
HM	00	A		ECR-05-002641	31MAY2005	JM	MD



SCALE 1:1

- △ DIMENSIONS IN [ ] ARE IN INCHES.
- △ MAXIMUM CONNECTOR LOSS IS EQUAL TO .50 dB PLUS CABLE ATTENUATION.

DIMENSIONS: METERS TOLERANCES UNLESS OTHERWISE SPECIFIED: 0 PLC ± 1 PLC ± 2 PLC ± 3 PLC ± 4 PLC ± ANGLES ± MATERIAL - FINISH -		DWN J MCNEAL 31MAY2005 ENR L SMITH 31MAY2005 APVD M DELPHIAS 31MAY2005 PRODUCT SPEC APPLICATION SPEC WEIGHT - CUSTOMER DRAWING	<b>tyco</b> Tyco Electronics Harrisburg, PA 17105-3608 NAME: CABLE ASSY FIBER OPTIC, AMPTRAC LC TO LC, DUPLEX, 62.5um, MM SIZE: A   00779   C=1435789 SCALE: 2:1 SHEET 1 OF 1 REV A
---	--	--	---