

# QPA0363A

## DC to 5000MHz, CASCADABLE SiGe HBT MMIC AMPLIFIER

The QPA0363A is a high performance SiGe HBT MMIC amplifier. A Darlington configuration provides high  $F_T$  and excellent thermal performance. The heterojunction increases breakdown voltage and minimizes leakage current between junctions. Cancellation of emitter junction non-linearities results in higher suppression of intermodulation products. Only two DC-blocking capacitors, a bias resistor, and an optional RF choke are required for operation.

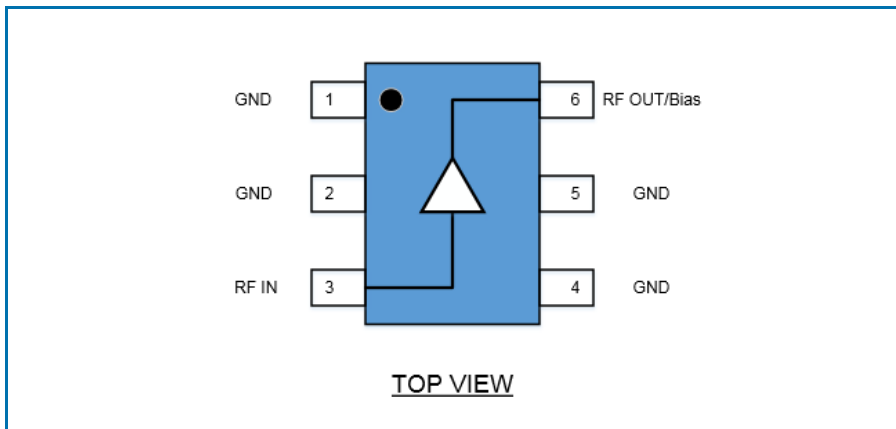


Package: SOT-363

### Features

- DC to 5000MHz Operation
- Single Voltage Supply
- Low Current Draw: 11 mA at +5 V Supply
- High Output IP3: +20 dBm typical at 1950 MHz
- Low Noise Figure: 2.85 dB Typical at 1950 MHz

### Functional Block Diagram



### Applications

- Power Amplifier Driver Amplifier
- Cellular, PCS, GSM, UMTS
- IF/RF Buffer Amplifier
- Wireless Data, Satellite

### Ordering Information

QPA0363ATR7	7" Reel with 3000 pieces
QPA0363ASQ	Sample Bag with 25 pieces
QPA0363ASR	7" Reel with 100 pieces
QPA0363APCK401	850MHz, +5V Operation PCBA with 5-piece Sample Bag

# QPA0363A

## Absolute Maximum Ratings

Parameter	Rating	Units
Device Voltage(V <sub>D</sub> )	+4.0	V
Device Current (I <sub>D</sub> )	22	mA
RF Input Power <sup>Note 1</sup>	-5	dBm
Storage Temperature	-55 to +150	°C
ESD Rating (HBM)	TBD	-
Moisture Sensitivity Level	MSL1	-

Notes:

1. Load Condition 1: Z<sub>L</sub> = 50 Ω
2. Operation of this device beyond any one of these limits may cause permanent damage. For reliable continuous operation, the device voltage and current must not exceed the maximum operating values specified in this table.
3. Bias Conditions should also satisfy the following expression: I<sub>D</sub>V<sub>D</sub> < (T<sub>J</sub> - T<sub>L</sub>) / R<sub>TH</sub>, and T<sub>L</sub> = T<sub>LEAD</sub>.



Caution! ESD sensitive device.



RFMD Green: RoHS status based on EU Directive 2011/65/EU (at time of this document revision), halogen free per IEC 61249-2-21, < 1000 ppm each of antimony trioxide in polymeric materials and red phosphorus as a flame retardant, and <2% antimony in solder.

Exceeding any one or a combination of the Absolute Maximum Rating conditions may cause permanent damage to the device. Extended application of Absolute Maximum Rating conditions to the device may reduce device reliability. Specified typical performance or functional operation of the device under Absolute Maximum Rating conditions is not implied.

## Recommended Operating Conditions

Parameter	Rating			Units
	Min	Typ	Max	
Operating Temperature Range	-40		+105	°C
Junction Temperature (T <sub>J</sub> )			+125	°C
Operating Voltage		+2.5		V

## Electrical Specifications – General

Parameter	Specification			Units	Conditions
	Min	Typ	Max		
Small Signal Gain, S <sub>21</sub>		19.3		dB	850MHz
		16.9		dB	1950MHz
		15.7		dB	2400MHz
Output Power at 1 dB Compression		+1.0		dBm	850MHz
		+1.7		dBm	1950MHz
		+1.7		dBm	2400MHz
Output Third Order Intercept Point		+16.3		dBm	500MHz
		+17.5		dBm	850MHz
		+20.0		dBm	1950MHz
		+19.0		dBm	2400MHz
		+16.5		dBm	3500MHz
Input Return Loss, S <sub>11</sub>		17.5		dB	1950MHz
Output Return Loss, S <sub>22</sub>		21.2		dB	1950MHz
Reverse Isolation, S <sub>12</sub>		20.8		dB	1950MHz
Noise Figure		2.60		dB	850MHz
		2.85		dB	1950MHz
Device Operating Current		11		mA	
Thermal Resistance		TBD		°C/W	

Test Conditions unless otherwise specified: V<sub>S</sub> = +5 V, I<sub>D</sub> = 11 mA Typ., OIP3 Tone Spacing=1 MHz, P<sub>OUT</sub> per tone = -12 dBm, R<sub>BIAS</sub> = 220Ω  
T<sub>L</sub> = +25°C, Z<sub>S</sub> = Z<sub>L</sub> = 50 Ω

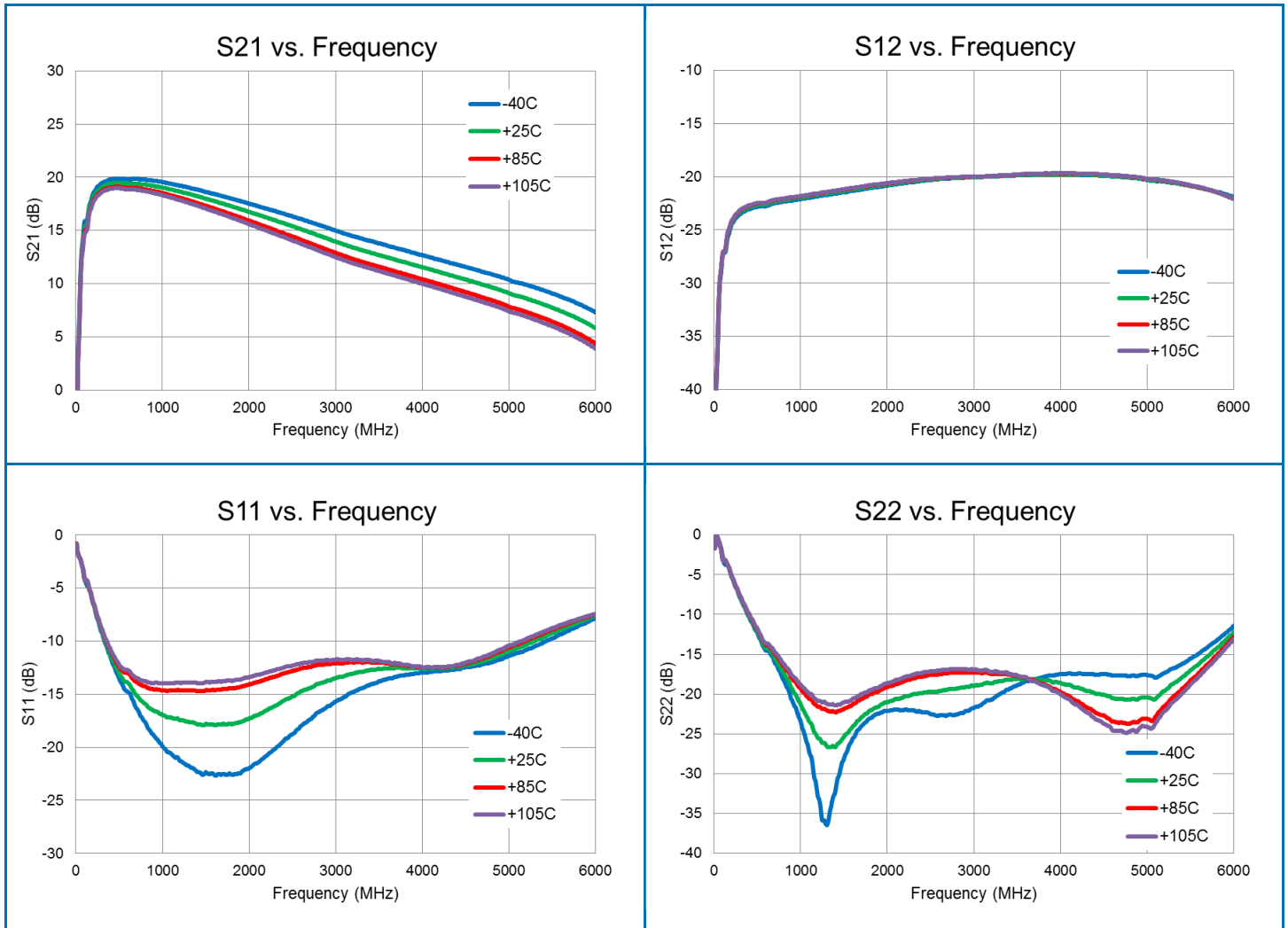
Preliminary



RFMD + TriQuint = Qorvo

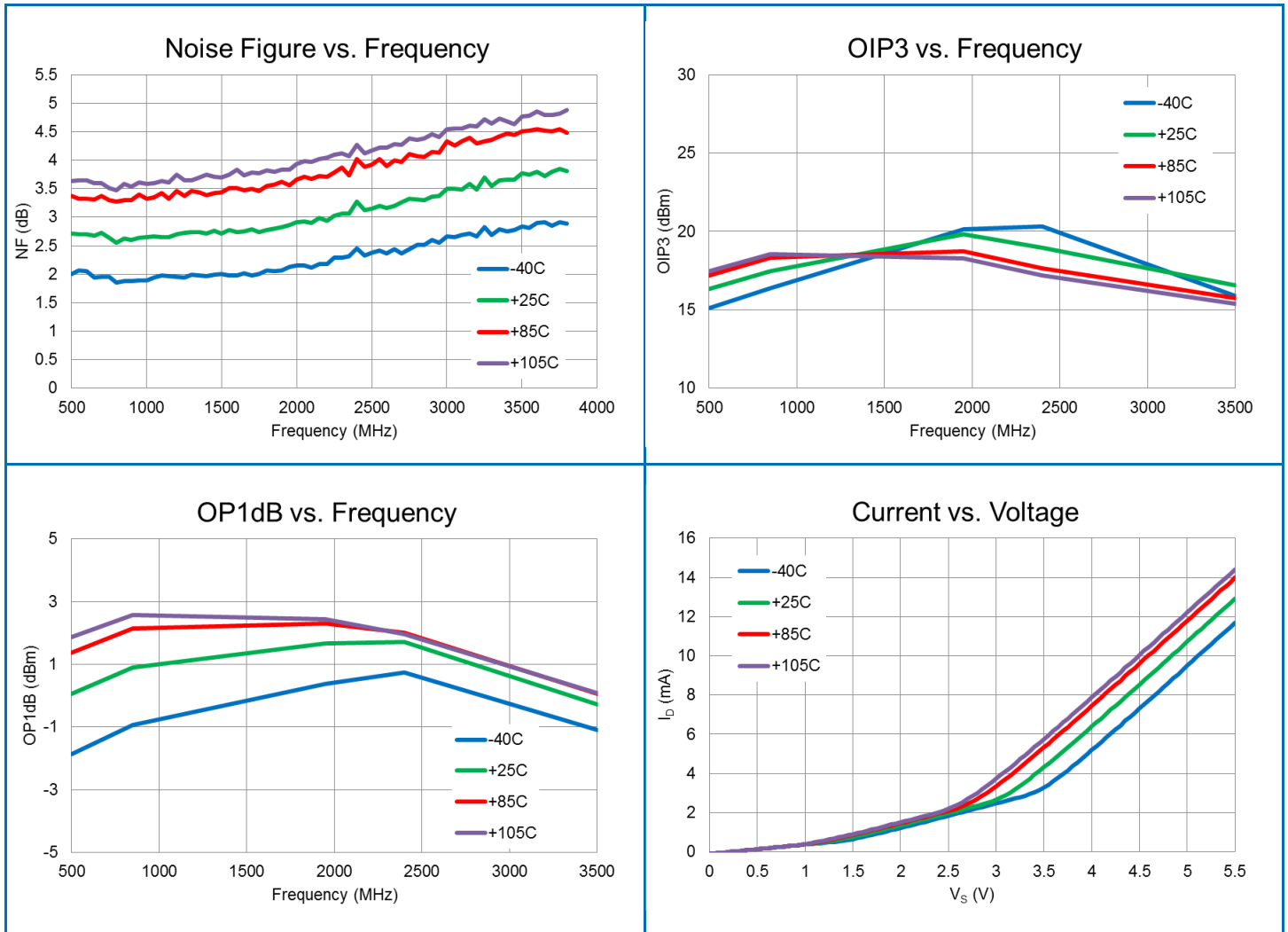
QPA0363A

Typical Performance Using 850MHz Application Circuit



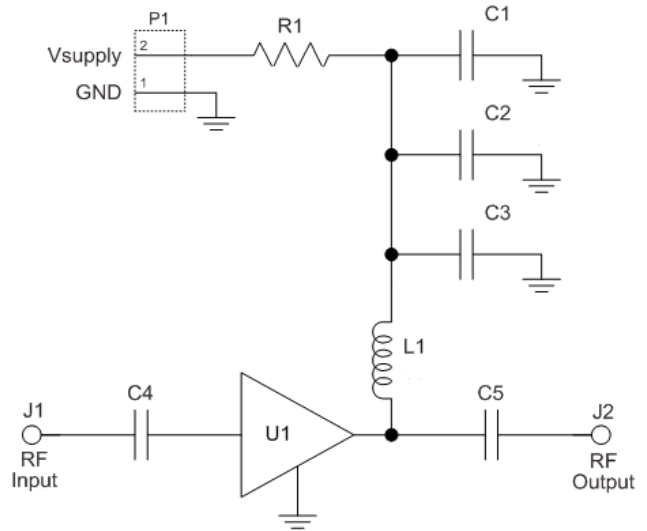
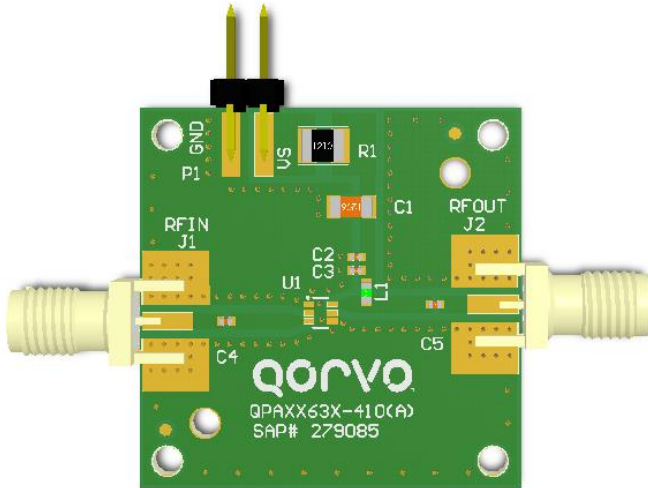
QPA0363A

Typical Performance Using 850MHz Application Circuit



# QPA0363A

## Evaluation Board and Schematic



### Evaluation Board Bill of Materials For 850MHz Application Circuit

Description	Reference Designator	Manufacturer	Manufacturer's P/N
Gain Block	U1	QORVO	QPA0363A
CAP, 1uF, 10%, 25V, X7R, 1206	C1	Murata Electronics	GRM31MR71E105KA01L
CAP, 1000pF, 10%, 50V, X7R, 0402	C2	Murata Electronics	GRM155R71H102KA01D
CAP, 68pF, 5%, 50V, C0G, 0402	C3	Murata Electronics	GRM1555C1H680JA01D
CAP, 100pF, 5%, 50V, C0G, 0402	C4, C5	Murata Electronics	GRM1555C1H101JA01D
RES, 220 OHM, 5%, 1/2W, 1210	R1	Panasonic Industrial Devices	ERJ-14YJ221U
IND, 33nH, 5%, M/L, 0603	L1	Murata Electronics	LL1608-FSL33NJ
CONN, SMA, EL, FLT, 0.068" SPE-000318	J1, J2	Amphenol RF Asia Corp	901-10426
CONN, HDR, ST, 1x2, 0.100", HI-TEMP, T/H	P1	Samtec Inc.	HTSW-102-07-G-S

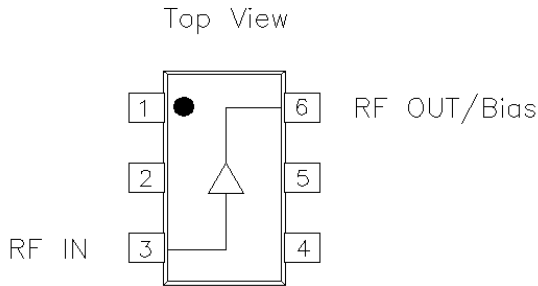
QPA0363A

Component Values For Specific Frequency and Voltage in Application Circuit

Reference Designator	Frequency (MHz)				
	500	850	1950	2400	3500
C <sub>4</sub> , C <sub>5</sub>	220pF	100pF	68pF	56pF	39pF
C <sub>3</sub>	100pF	68pF	22pF	22pF	15pF
L <sub>1</sub>	68nH	33nH	22nH	18nH	15nH
Required Bias Resistance for I <sub>D</sub> = 11mA Bias Resistance = R <sub>BIAS</sub> + R <sub>LDC</sub> = ( V <sub>S</sub> - V <sub>D</sub> ) / I <sub>D</sub>					
Supply Voltage (V <sub>s</sub> )	+5 V	+7.5 V	+9 V	+12 V	
Bias Resistance (R <sub>1</sub> = R <sub>Bias</sub> )	220 Ω	470 Ω	620 Ω	910 Ω	

\*Note: Bias resistor improves current stability over temperature

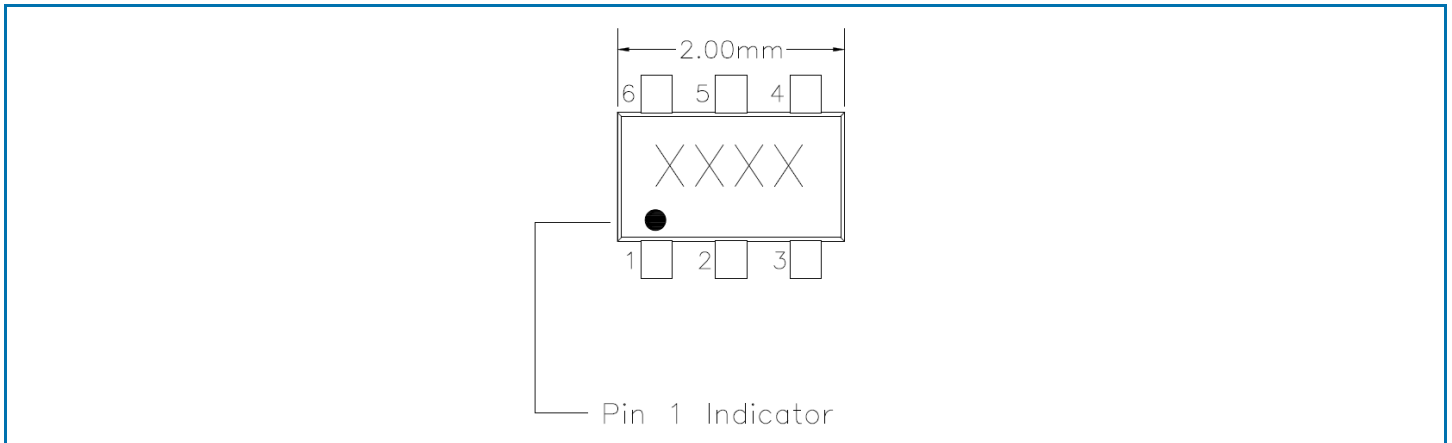
Pin Configuration and Description



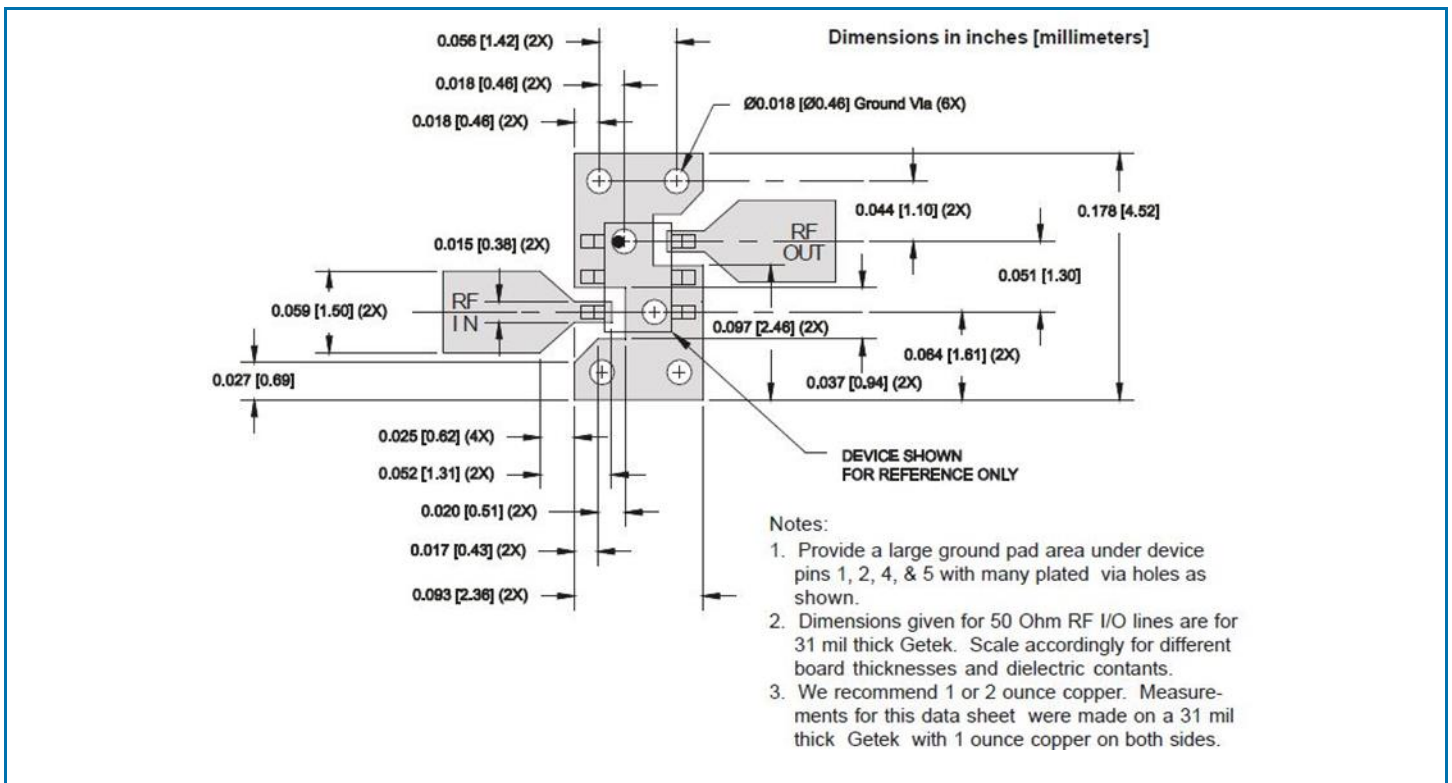
Pin	Label	Description
3	RF IN	RF input pin. This pin requires the use of an external DC blocking capacitor as shown in the application schematic.
1, 2, 4, 5	GND	Connect to ground per application circuit drawing. For best performance, vias should be used as shown in the recommended pad layout.
6	RF OUT/BIAS	RF output and bias pin. Bias will be supplied to this pin through an external RF choke. A DC blocking capacitor is necessary on the RF output as shown in the application circuit.

QPA0363A

Package Marking



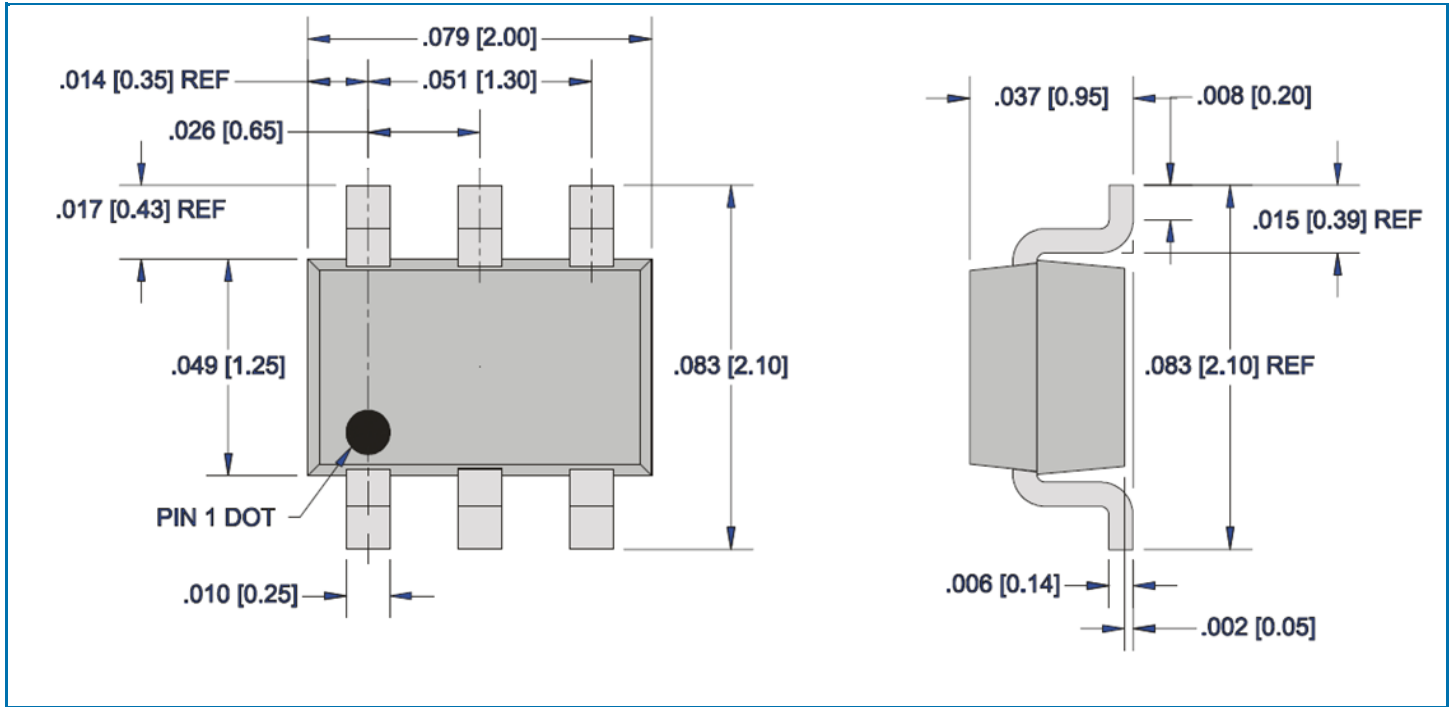
Suggested Pad Layout (Dimensions in inches [millimeters])



Preliminary

QPA0363A

**Package Outline (Dimensions in inches [millimeters])**



**Contact Information**

For the latest specifications, additional product information, worldwide sales and distribution locations:

**Web:** [www.rfmd.com](http://www.rfmd.com)  
**Email:** [customer.support@qorvo.com](mailto:customer.support@qorvo.com)

**Tel:** 1-844-890-8163

For information about the merger of RFMD and TriQuint as Qorvo:

**Web:** [www.qorvo.com](http://www.qorvo.com)

**Important Notice**

The information contained herein is believed to be reliable. RFMD makes no warranties regarding the information contained herein. RFMD assumes no responsibility or liability whatsoever for any of the information contained herein. RFMD assumes no responsibility or liability whatsoever for the use of the information contained herein. The information contained herein is provided "AS IS, WHERE IS" and with all faults, and the entire risk associated with such information is entirely with the user. All information contained herein is subject to change without notice. Customers should obtain and verify the latest relevant information before placing orders for RFMD products. The information contained herein or any use of such information does not grant, explicitly or implicitly, to any party any patent rights, licenses, or any other intellectual property rights, whether with regard to such information itself or anything described by such information.

RFMD products are not warranted or authorized for use as critical components in medical, life-saving, or life-sustaining applications, or other applications where a failure would reasonably be expected to cause severe personal injury or death.