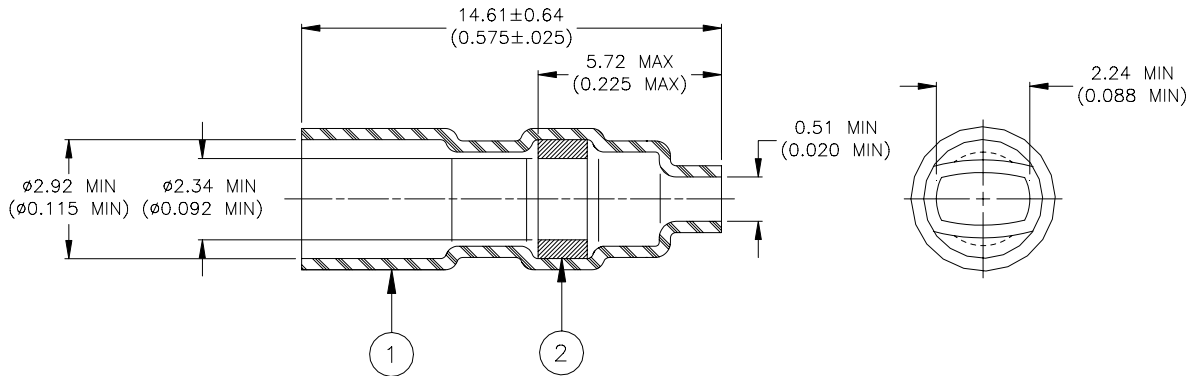


SPECIFICATION CONTROL DRAWING



MATERIALS

1. INSULATION SLEEVE: Heat shrinkable, transparent blue, radiation cross-linked polyvinylidene fluoride.
2. SOLDER PREFORM WITH FLUX:
 SOLDER: TYPE Sn63 per ANSI J-STD-006.
 FLUX: TYPE ROL1 per ANSI J-STD-004.

APPLICATION

1. This part will terminate from one to three 22 AWG solder dipped wires.
2. Sleeve will recover to 1.30 (0.050) max. I.D.
3. Temperature rating: 150°C.

tyco / Electronics / Raychem 307 Constitution Drive Menlo Park, CA 94025, USA		Wire and Harnessing Products		TITLE : SOLDERSLEEVE, PCB CONNECTOR, PVC WIRE, 2.16x0.51x6.35 (0.085x0.020x0.250) TERMINAL			
Unless otherwise specified dimensions are in millimeters. Inches dimensions are in between brackets.				DOCUMENT NO.: D-129-11			
TOLERANCES: 0.00 N/A 0.0 N/A 0 N/A	ANGLES: N/A ROUGHNESS IN MICRON	Tyco Electronics reserves the right to amend this drawing at any time. Users should evaluate the suitability of the product for their application.		DCR NUMBER: D010034		REPLACES: N/A	
DRAWN BY: M. FORONDA	DATE: 08-Feb.-01	PROD. REV. C	DOC ISSUE: 1	SCALE: None	SIZE: A	SHEET: 1 of 1	

If this document is printed it becomes uncontrolled. Check for the latest revision.