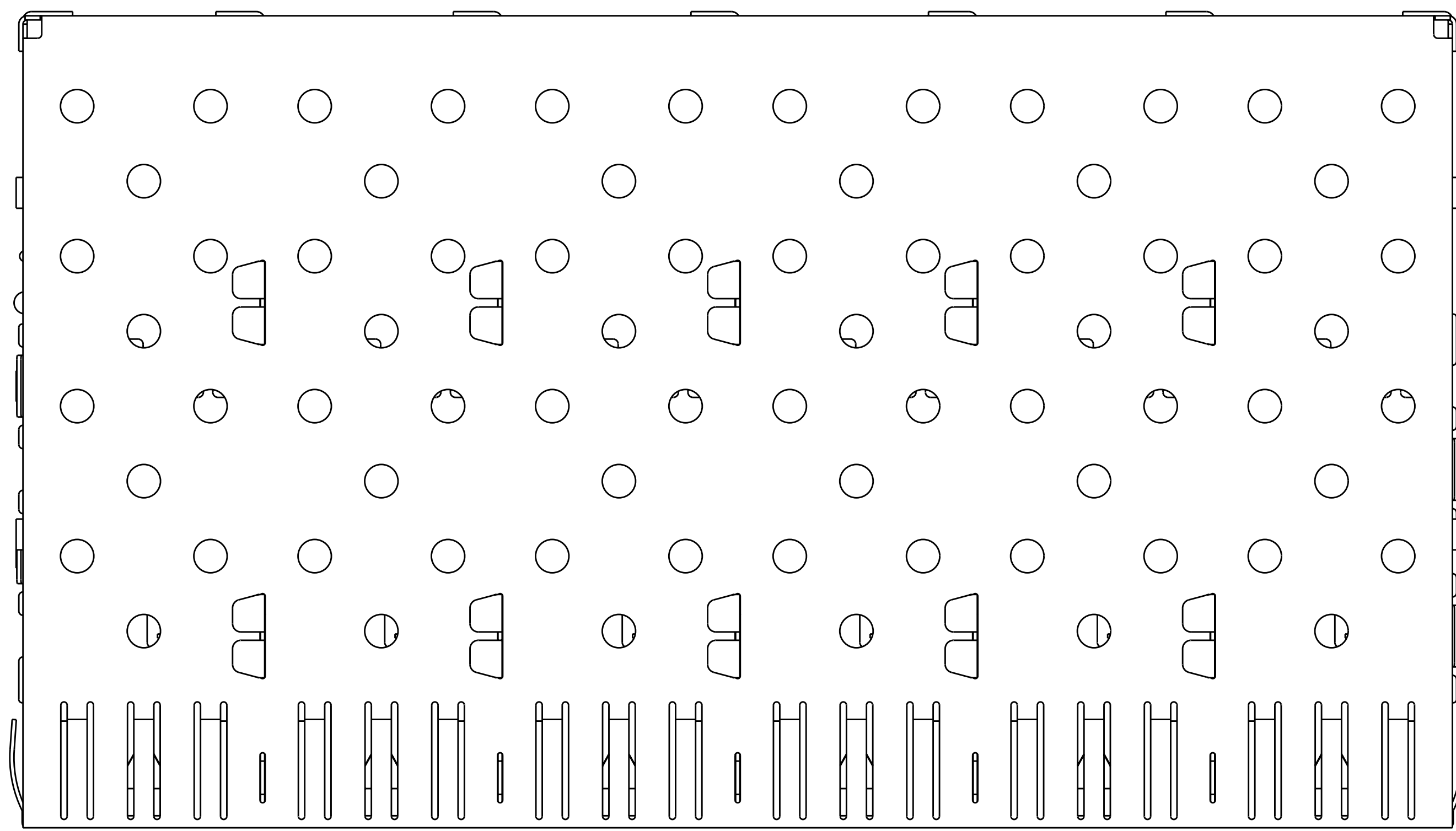
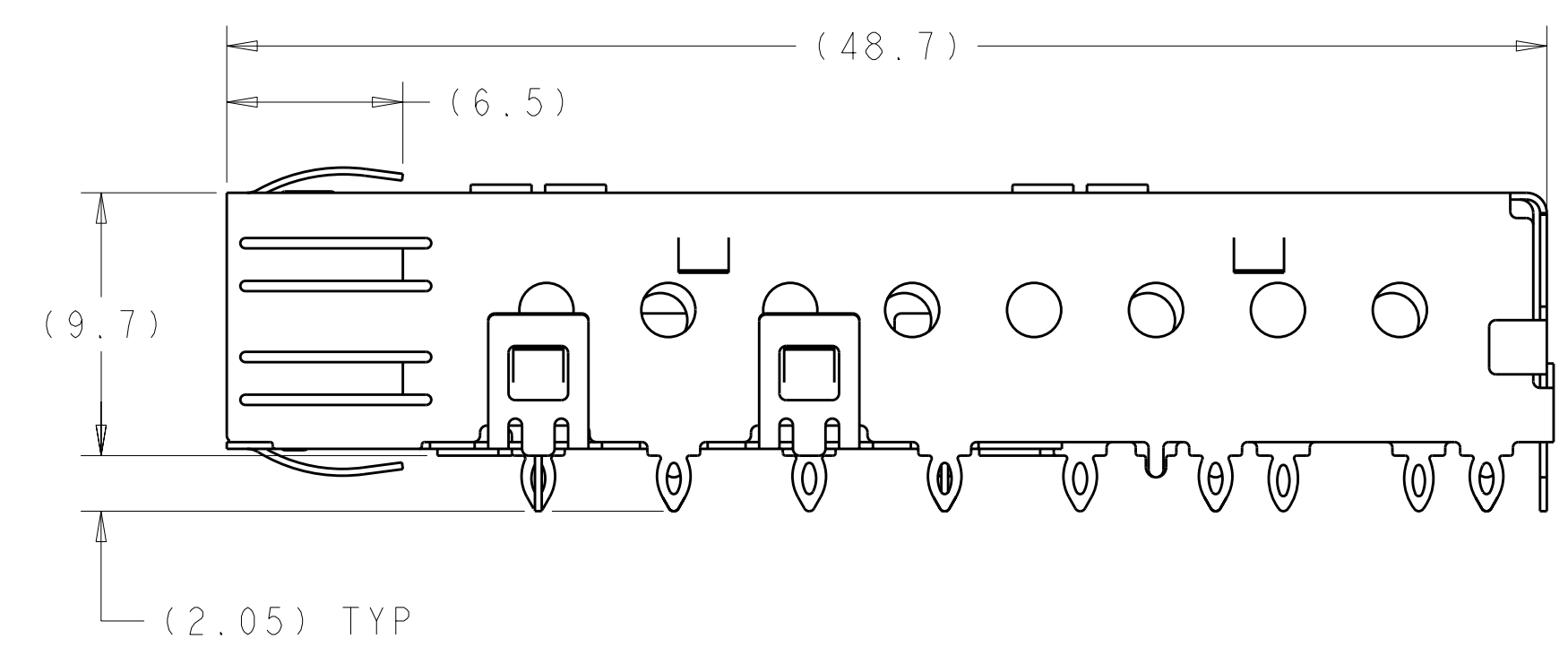
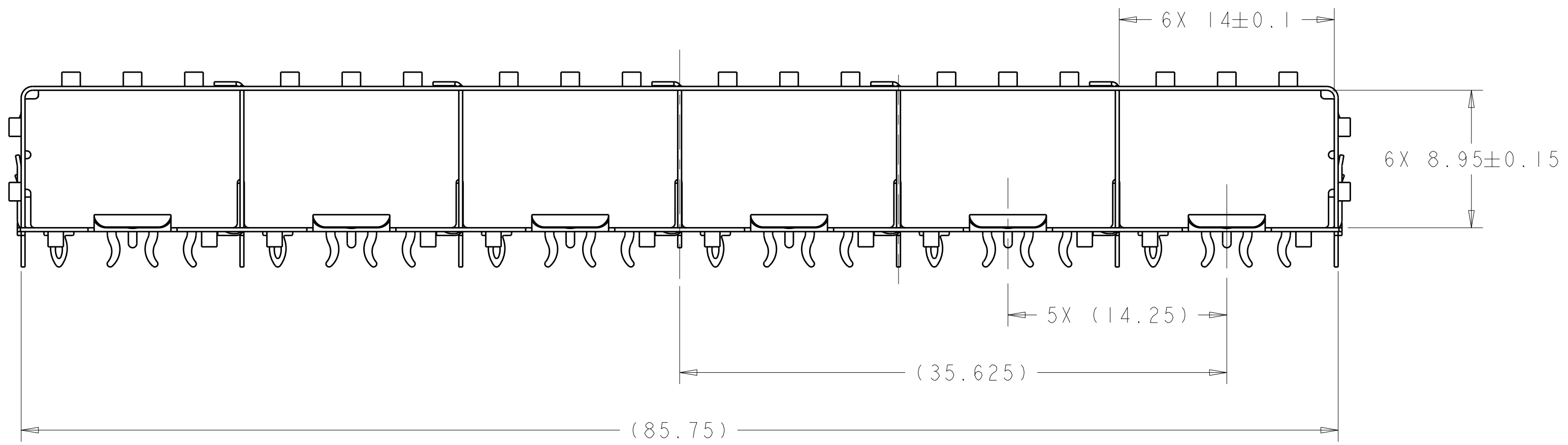


LOC	DIST	REVISIONS			
P	LTR	DESCRIPTION	DATE	DWN	APVD
GP	00	A	INITIAL RELEASE	07DEC2011	JY AC

- △ MATERIAL: CAGE ASSEMBLY: 0.25mm THICK NICKEL SILVER ALLOY.
- 2. MATES WITH SFP MSA COMPLIANT TRANSCEIVERS.
- △ PADS AND VIAS CHASSIS GROUND.
- 4. INTERPRETATION OF DATUM REFERENCE FRAME IN ACCORDANCE WITH SECT 4.4.1.1 OF ASME Y14.5M-1994.
- △ MINIMUM PC BOARD THICKNESS:
SINGLE SIDED = 1.50
DOUBLE SIDED = 2.25
- △ HOLE PATTERN REPEATS FOR EACH PORT. SPACING BETWEEN PORTS IS 14.25mm.
- △ DATUM AND BASIC DIMENSION ESTABLISHED BY CUSTOMER.
- △ REFERENCE APPLICATION SPEC. 114-13120, HOLE A, FOR RECOMMENDED DRILL HOLE DIAMETER AND PLATING THICKNESS.
- △ REFERENCE APPLICATION SPEC. 114-13120, HOLE B, FOR RECOMMENDED DRILL HOLE DIAMETER AND PLATING THICKNESS.
- 10. CERTAIN MATING TRANCEIVERS MAY REQUIRE ADDITIONAL PCB THICKNESS THAT WOULD BE DETERMINED BY THE CUSTOMER.



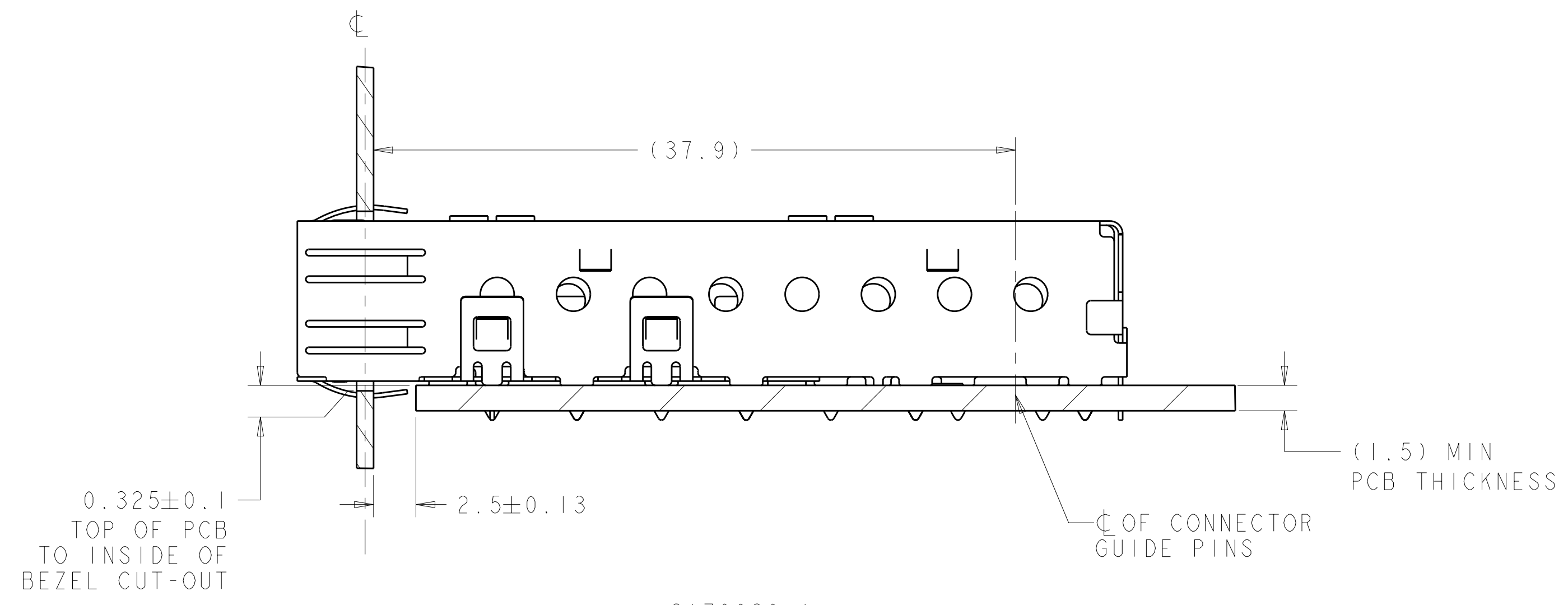
SCALE 4:1



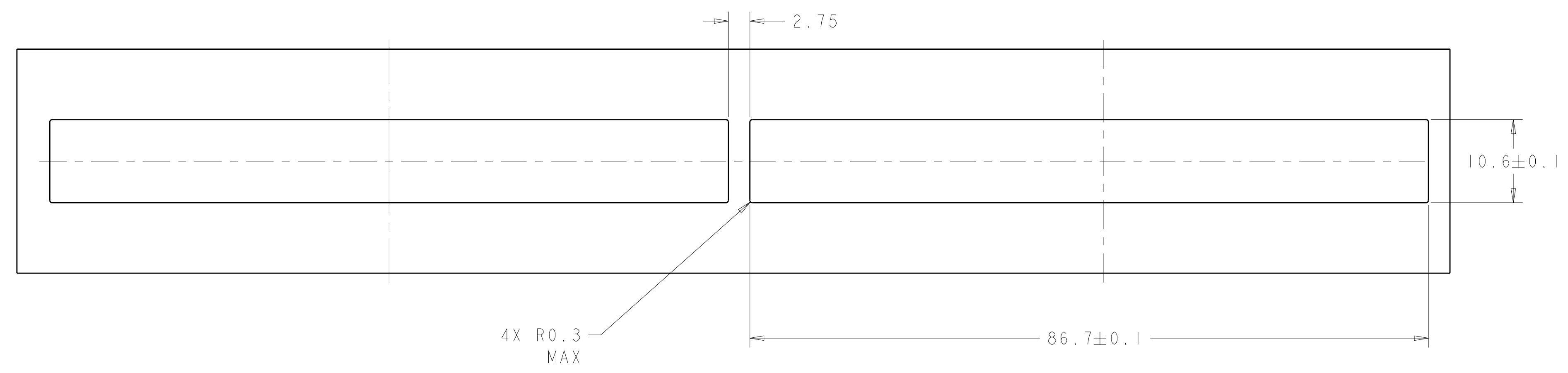
2170080-1
PART NUMBER

THIS DRAWING IS A CONTROLLED DOCUMENT.		DWN JASON YANG 25MAR2011	STE TE Connectivity	
DIMENSIONS: mm		CHK MANLIAN WANG 25MAR2011	NAME SFP 1X6 CAGE ASSEMBLY, SPECIAL SPRING HEIGHT, PRESS FIT	
TOLERANCES UNLESS OTHERWISE SPECIFIED:		APVD MANLIAN WANG 25MAR2011	PRODUCT SPEC 108-1950	
0 PLC ±0.1		APPLICATION SPEC 114-13120		RESTRICTED TO
1 PLC ±0.1		WEIGHT		A100779C=2170080
2 PLC ±0.1		CUSTOMER DRAWING		SCALE 2:1 SHEET 1 OF 4 REV A
3 PLC ±0.1				
4 PLC ±0.0001				
ANGLES ±1°				
FINISH				

LOC	DIST	REVISIONS			
GP	00	REV	DATE	BY	APPV
-	-	SEE SHEET 1	-	-	-



2170080-1
MOUNTED ON PC BOARD
SHOWN THRU RECOMMENDED BEZEL
SCALE 4:1

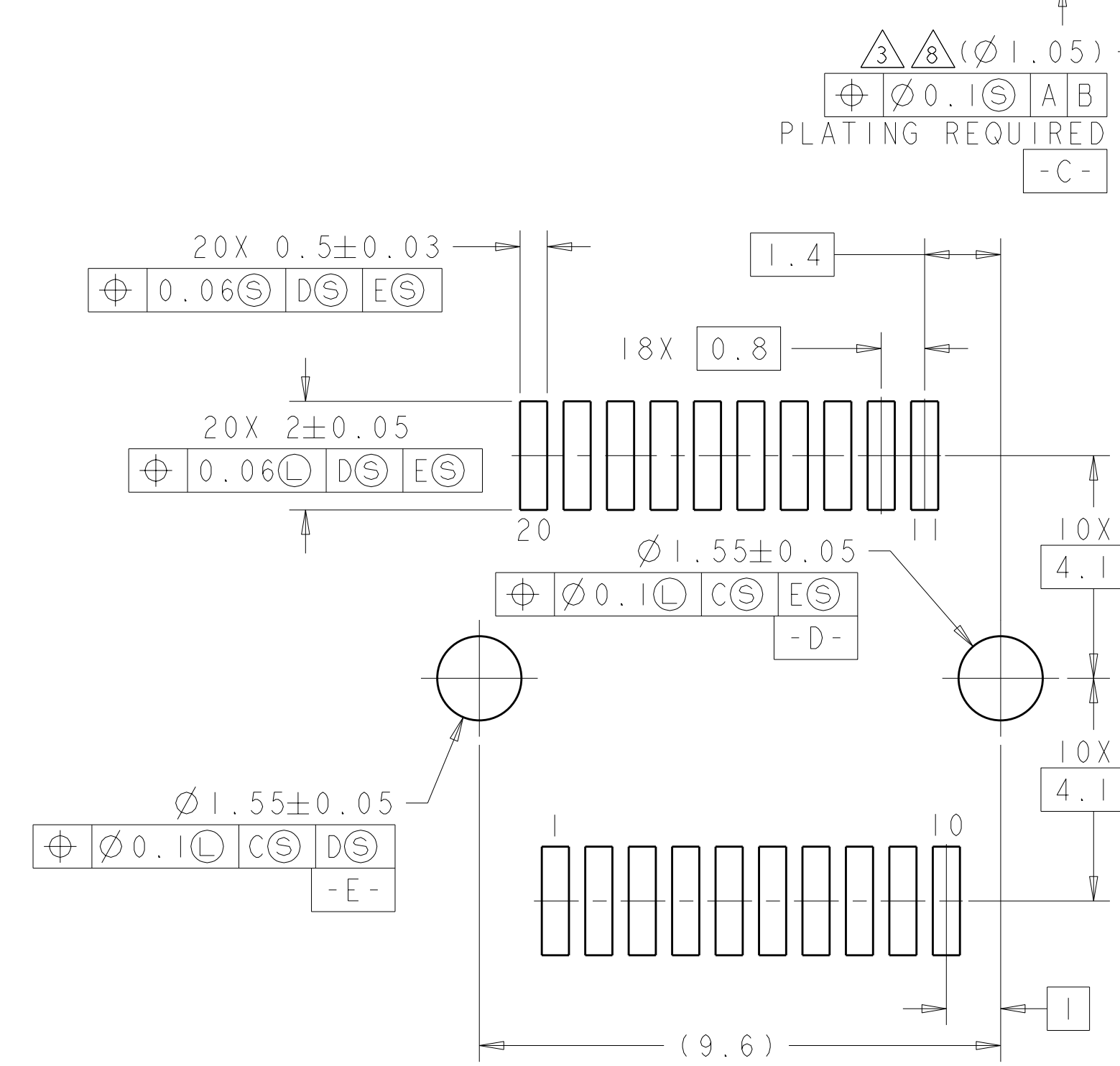
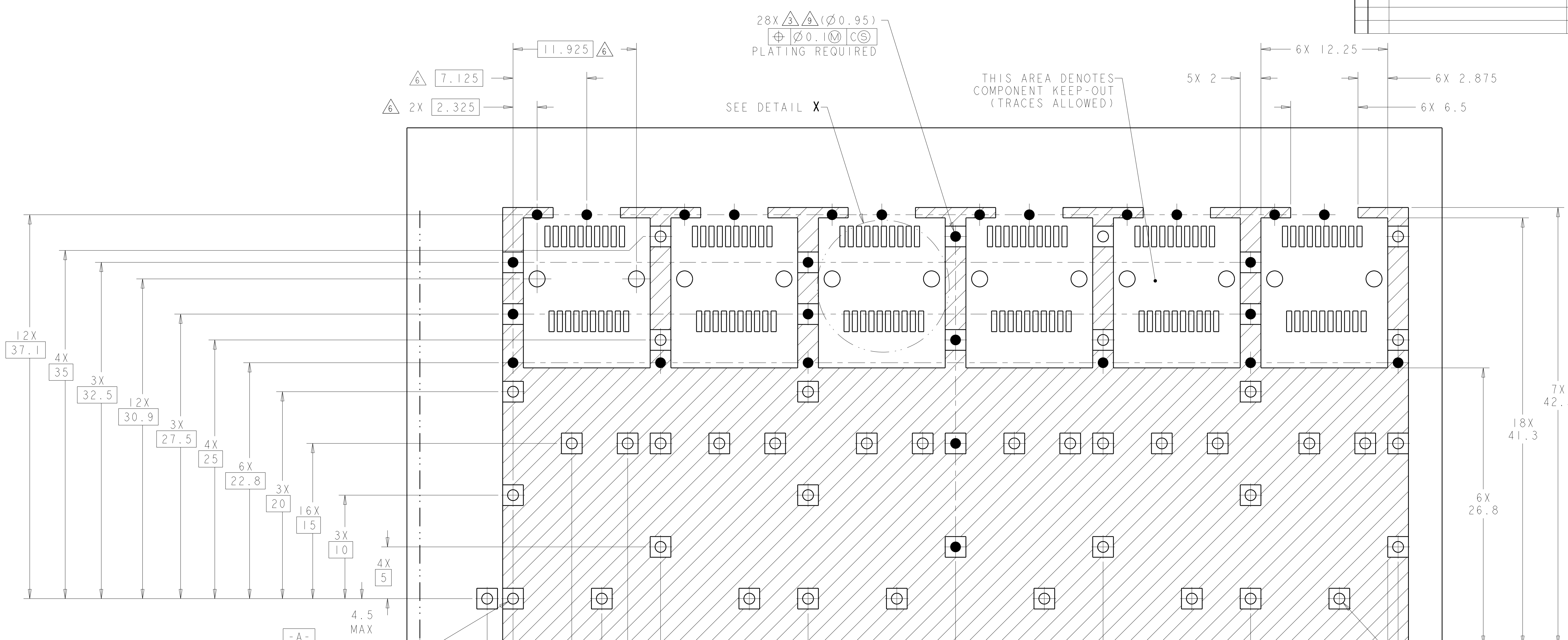


RECOMMENDED BEZEL CUT-OUT
SINGLE SIDED APPLICATIONS
SCALE 5:2

THIS DRAWING IS A CONTROLLED DOCUMENT.		OWN: JASON YANG 25MAR2011	TE Connectivity	
DIMENSIONS: mm		CHK: MANLIAN WANG 25MAR2011		
TOLERANCES UNLESS OTHERWISE SPECIFIED:		APVD: MANLIAN WANG 25MAR2011	NAME: SFP 1X6 CAGE ASSEMBLY, SPECIAL SPRING HEIGHT, PRESS FIT	
0 PLC ±0.1	1 PLC ±0.1	PRODUCT SPEC: 108-1950	SIZE: CAGE CODE: DRAWING NO: A100779C=2170080	
2 PLC ±0.1	3 PLC ±0.1	APPLICATION SPEC: 114-13120	RESTRICTED TO: -	
4 PLC ±0.0001	ANGLES ±1°	WEIGHT: -	SCALE: 5:1 SHEET 2 OF 4 REV A	
MATERIAL: -	FINISH: -	CUSTOMER DRAWING		

LOC	DIST	REV	DATE	BY	APPD
GP	00				

REVISIONS		
NO.	DESCRIPTION	DATE
1	SEE SHEET 1	

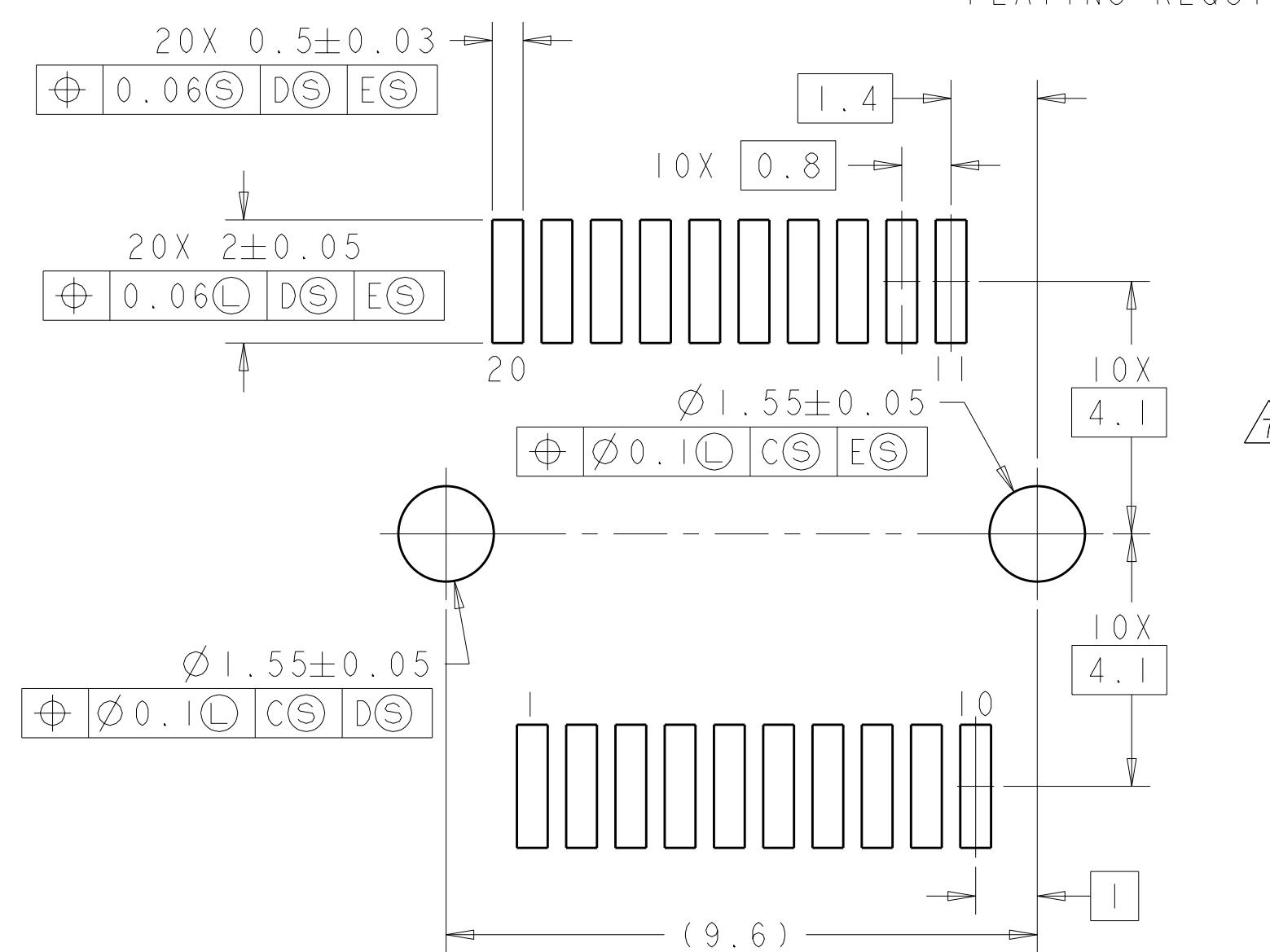
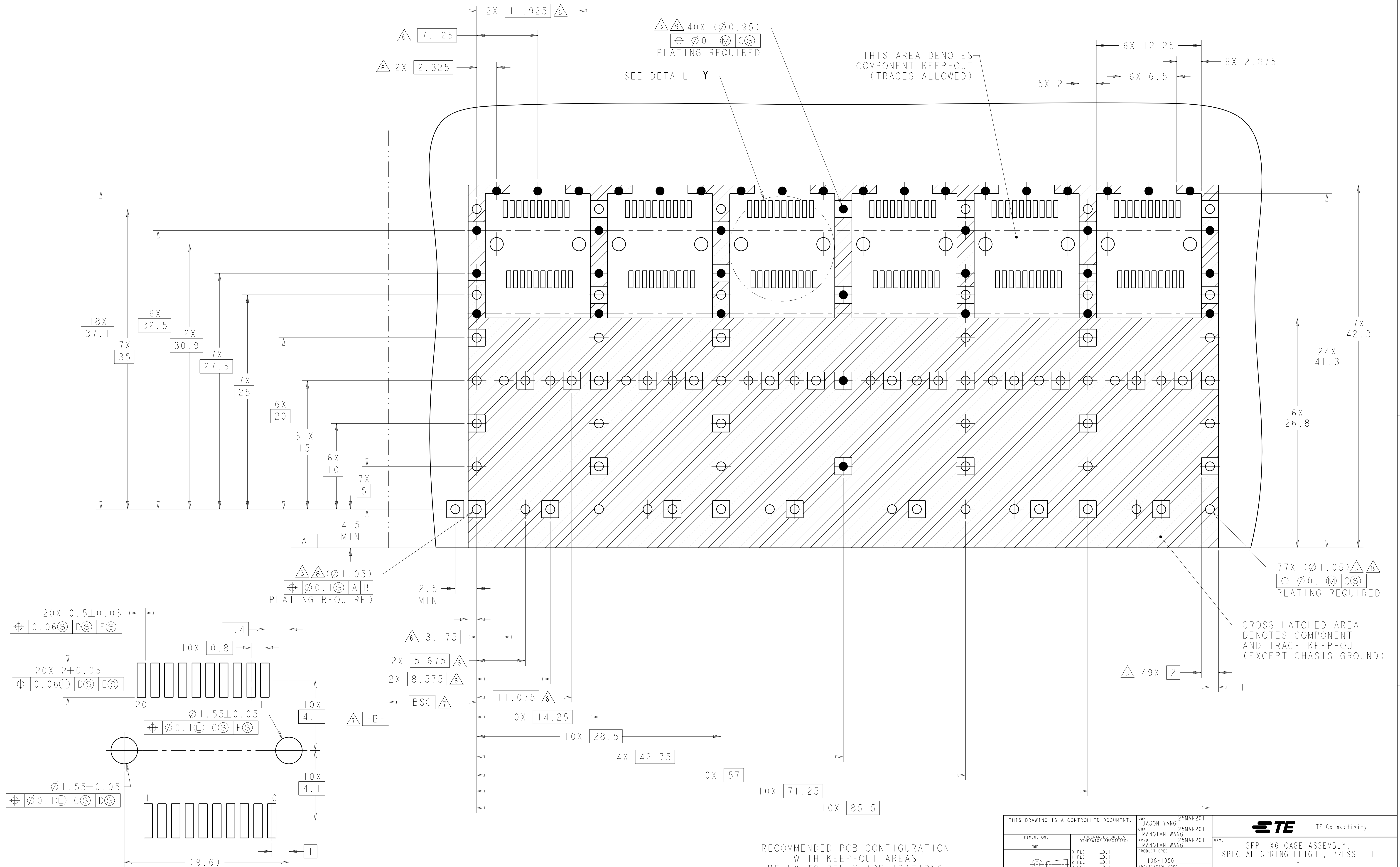


DETAIL X
 RECOMMENDED PT CONNECTOR LAYOUT
 6X INDIVIDUALLY
 SCALE 10:1

RECOMMENDED PCB CONFIGURATION
 WITH KEEP-OUT AREAS
 SINGLE SIDED APPLICATIONS

THIS DRAWING IS A CONTROLLED DOCUMENT.		DWG: JASON YANG 25MAR2011		REV: MANOLIAN WANG 25MAR2011	
DIMENSIONS: mm		TOLERANCES UNLESS OTHERWISE SPECIFIED:		NAME: SFP 1X6 CAGE ASSEMBLY, SPECIAL SPRING HEIGHT, PRESS FIT	
9 PLC ±0.1		1 PLC ±0.1		PRODUCT SPEC: 108-1950	
5 PLC ±0.1		4 PLC ±0.1		APPLICATION SPEC: 114-13120	
4 PLC ±0.001		ANGLES ±1°		SIZE: CAGE CODE DRAWING NO: A100779C=2170080	
MATERIAL: -		FINISH: -		WEIGHT: -	
CUSTOMER DRAWING		SCALE: 5:1		SHEET: 3 OF 4	

LOC	DIST	REV	DATE	BY	APPD	
GP	00					
REV		LTN	DESCRIPTION	DATE	BY	APPD
			SEE SHEET 1			



RECOMMENDED PCB CONFIGURATION WITH KEEP-OUT AREAS BELLY TO BELLY APPLICATIONS

THIS DRAWING IS A CONTROLLED DOCUMENT.		DWN JASON YANG 25MAR2011 CHK MANLIAN WANG 25MAR2011 APVD MANLIAN WANG 25MAR2011	STE TE Connectivity NAME SFP 1X6 CAGE ASSEMBLY, SPECIAL SPRING HEIGHT, PRESS FIT
DIMENSIONS: mm 	TOLERANCES UNLESS OTHERWISE SPECIFIED: 9 PLC ± 0.1 1 PLC ± 0.1 2 PLC ± 0.1 3 PLC ± 0.1 4 PLC ± 0.1 ANGLES ± 0.0001 FINISH $\pm 1^{\circ}$	PRODUCT SPEC 108-1950 APPLICATION SPEC 114-13120 WEIGHT - CUSTOMER DRAWING	SIZE CAGE CODE DRAWING NO. RESTRICTED TO A100779C=2170080 SCALE 5:1 SHEET 4 OF 4 REV A