

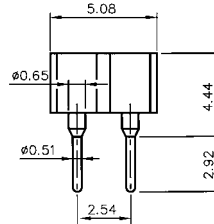
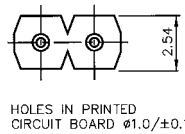
**TR3**  
PC Board Mounting

# Sockets

- FaxBack Document # 310
- Short Leads
- Wave Solderable

## No. 561

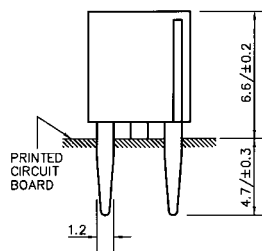
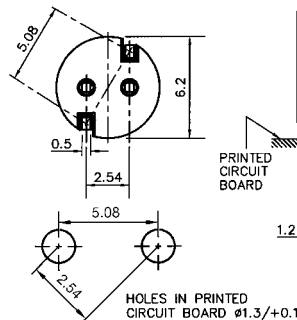
## Vertical



- **Rated Voltage:** 125V
- **Mounting:**  
PC Board, 2.54mm pin spacing
- **Material:**  
Body: Black thermoplastic (PBT), UL 94-V0  
Metal parts: Beryllium copper, corrosion protected  
Terminals: Brass, tin-plated for soldering
- **Electrical Data:**  
Max. current carrying capacity: 5A  
Admissible fuse power dissipation: 1.6W at 40°C  
Conducting path cross-section: 0.1mm<sup>2</sup>

## No. 556

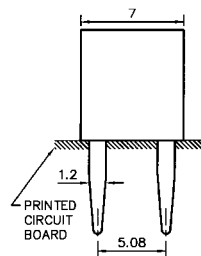
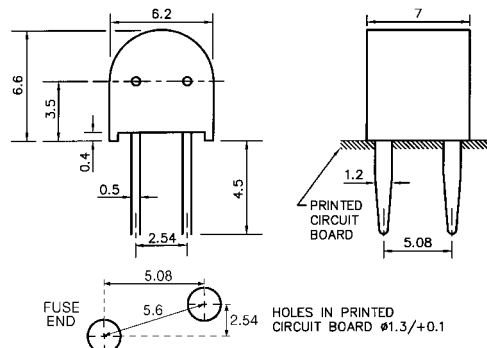
## Vertical



- **Rated Voltage:** 125V
- **Mounting:**  
PC Board, 5.08mm hole spacing
- **Material:**  
Body: Black thermoplastic (Polyamide PA 6.6), UL 94-V0  
Metal parts: Copper alloy, corrosion protected  
Terminals: Tinned for soldering
- **Electrical Data:**  
Max. current carrying capacity: 5A  
Admissible fuse power dissipation: 1.6W at 40°C  
Conducting path cross-section: 0.1mm<sup>2</sup>

## No. 557

## Horizontal



- **Rated Voltage:** 125V
- **Mounting:**  
PC Board, 5.08mm hole spacing
- **Material:**  
Body: Black thermoplastic (Polyamide PA 6.6), UL 94-V0  
Metal parts: Copper alloy, corrosion protected  
Terminals: Tinned for soldering
- **Electrical Data:**  
Max. current carrying capacity: 5A  
Admissible fuse power dissipation: 1.6W at 40°C  
Conducting path cross-section: 0.1mm<sup>2</sup>