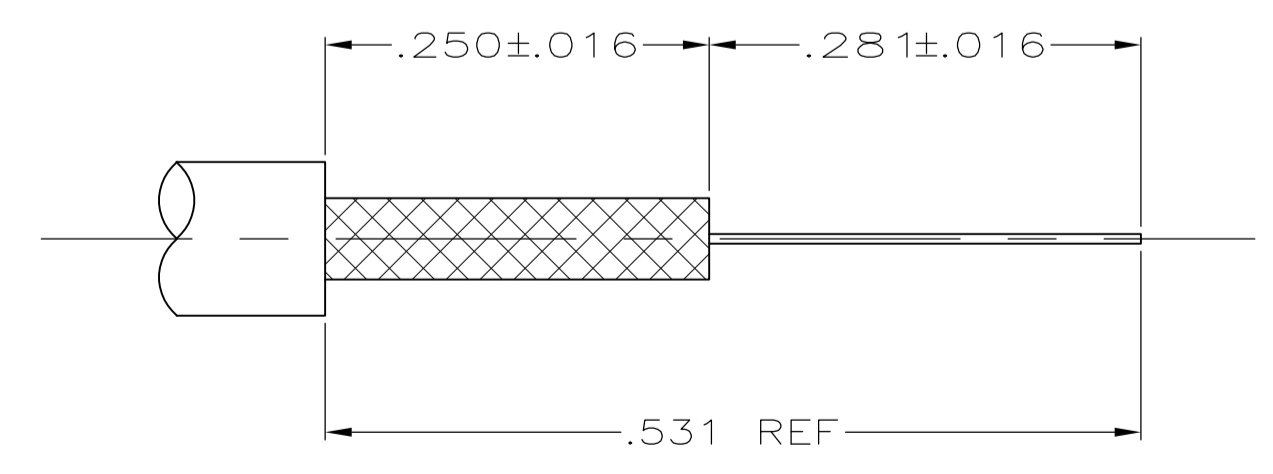
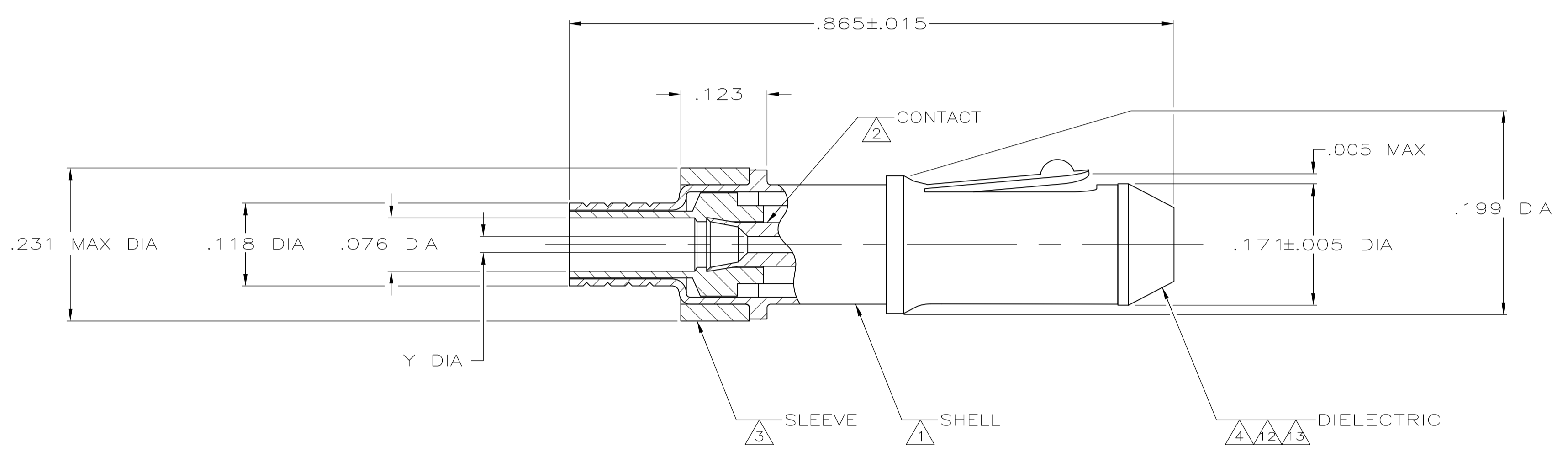


LOC	DIST	REVISIONS			
REV	DATE	DESCRIPTION	DATE	BY	APPV
AJ	16				
AZ1		REVISED PER ECO-11-005030	11MAR11	RK	HMR

- ① BRASS PER QQ-B-626.
- ② BERYLLIUM COPPER PER ASTM-B-196
- ③ NYLON PER ASTM-D-4066, BLACK
- ④ POLYMETHYLPENTENE GENERAL PURPOSE, NATURAL
- ⑤ .000030 MINIMUM GOLD PER MIL-G-45204.
- ⑥ .000050 MINIMUM GOLD PER MIL-G-45204.
- ⑦ .000100 MINIMUM GOLD PER MIL-G-45204.
- ⑧ RG-174/U, RG-179A/U, RG-187/U, AND 21-598.
- ⑨ SHIELDED CABLE #26=NAS-702 CLASS A & C, AND MIL-W-16878 TYPES E & EE, SHIELDED CABLE #24=NAS-702 CLASS A & C, AND MIL-W-16878 TYPES E & EE, SHIELDED CABLE #22=NAS-702 CLASS C, AND MIL-W-16878 TYPE E, AND MIL-C-7078A TYPE I NUMBER 1 DIELECTRIC .068 O.D.
- 10. SEE IS 408-1770
- ⑫ NYLON PER ASTM-D-4066, NATURAL
- ⑬ DIELECTRIC MATERIAL: VALOX 325 WHITE



VIEW D  
RECOMMENDED STRIP LENGTH

⑬	⑤	⑤	.030 OUNCES	-	-	.032±.003	-	-	-	2-201143-5
⑬	⑤	⑤	.030 OUNCES	-	-	.032±.003	-	-	-	2-201143-4
	⑦	⑦	.030 OUNCES	-	-	.032±.003	-	-	-	201143-7
	⑤	⑤	.030 OUNCES	-	-	.032±.003	-	-	-	201143-5
	⑤	⑤	.030 OUNCES	-	-	.042±.003	-	-	-	201143-3
	⑤	⑤	.030 OUNCES	-	-	.023±.003	-	-	-	201143-1
CONTACT PLATING	SHELL PLATING	WEIGHT	CABLE OR WIRE SIZE	CRIMP TOOL	Y	③ FERRULE QTY=1	② SPRING RETENTION QTY=1	① PIN ASSY QTY=1	PART NUMBER	

THIS DRAWING IS A CONTROLLED DOCUMENT.

DIMENSIONS: INCHES	TOLERANCES UNLESS OTHERWISE SPECIFIED:	0. PLC ± -	1. PLC ± -	2. PLC ± .008	3. PLC ± -	4. PLC ± -	ANGLES ± -						
MATERIAL		FINISH		WEIGHT	SEE TABLE	SIZE	A1	CAGE CODE	00779	DRAWING NO	C=201143	RESTRICTED TO	-
CUSTOMER DRAWING				SCALE	8:1	SHEET	1 OF 1	REV	AZ1				

STE TE Connectivity  
PIN, MINIATURE SERIES  
108-12021