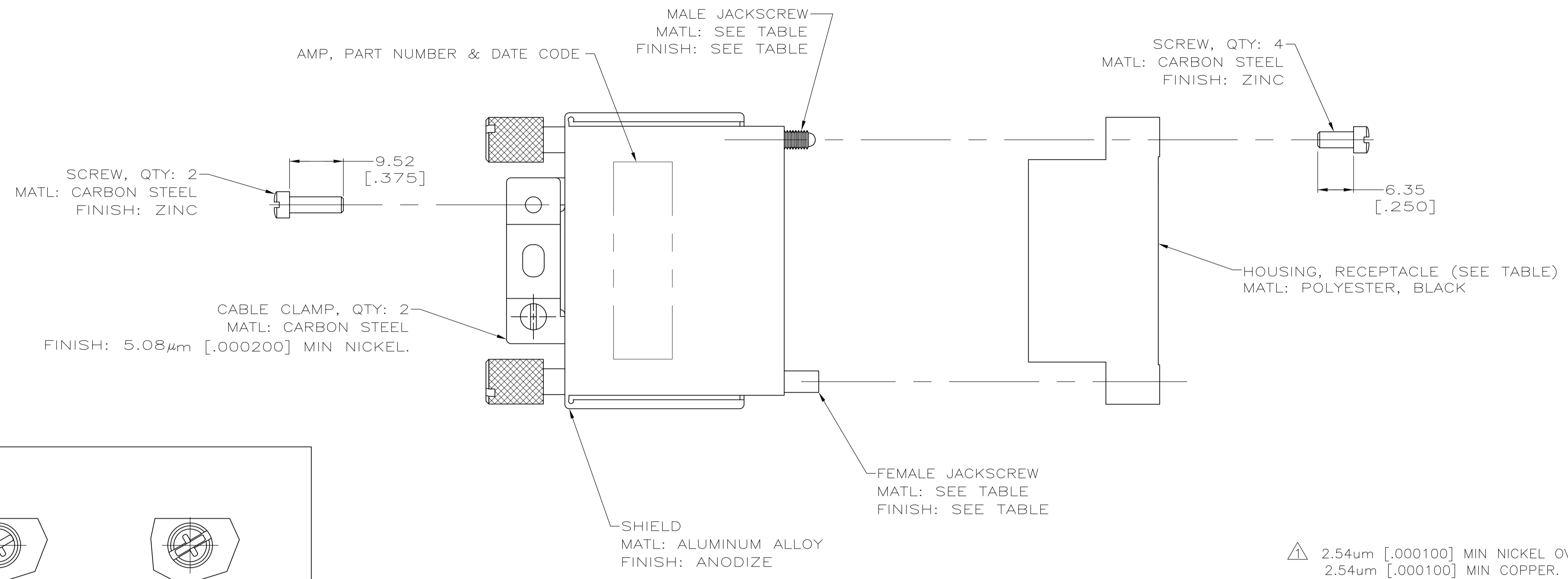
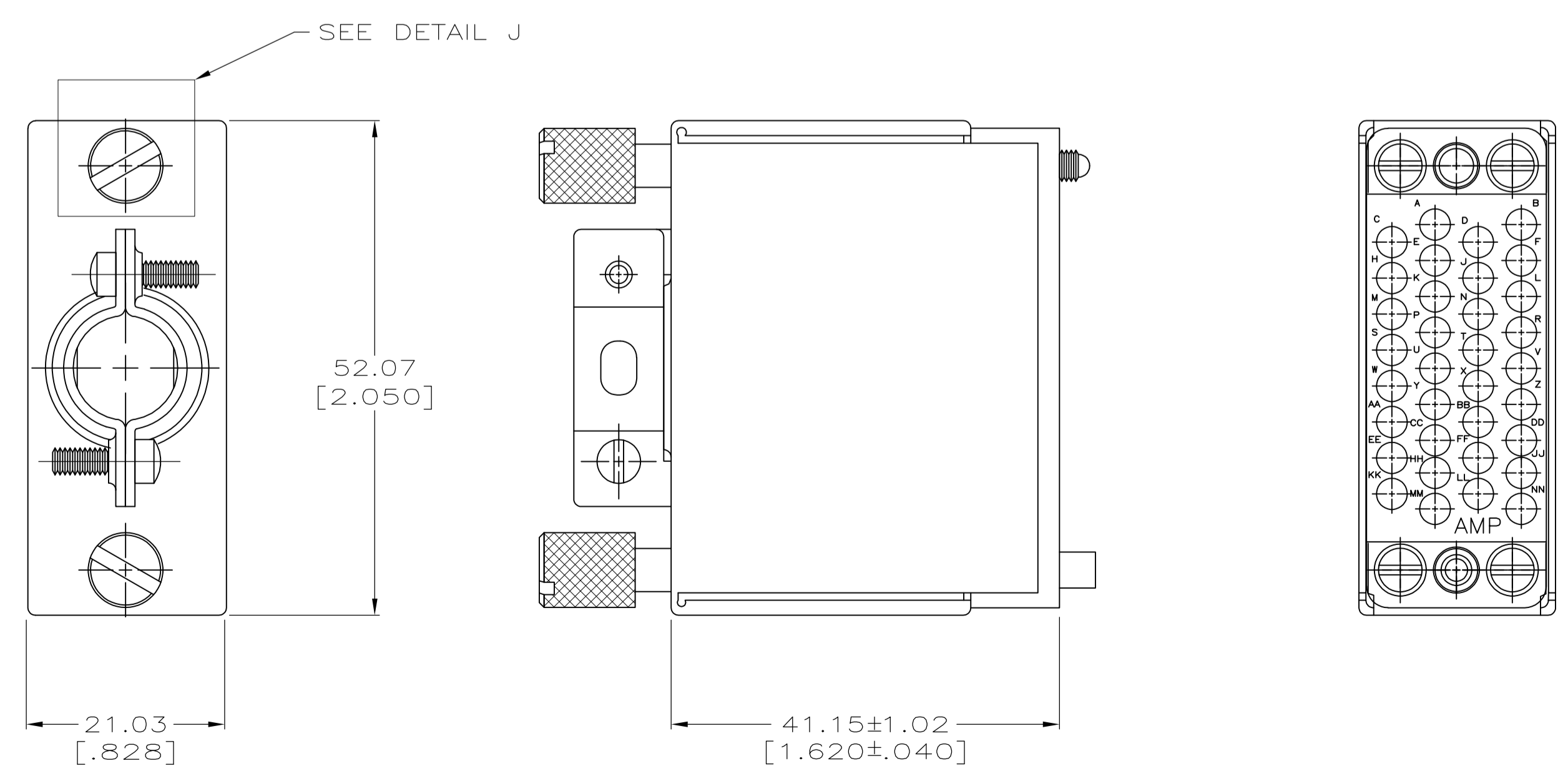
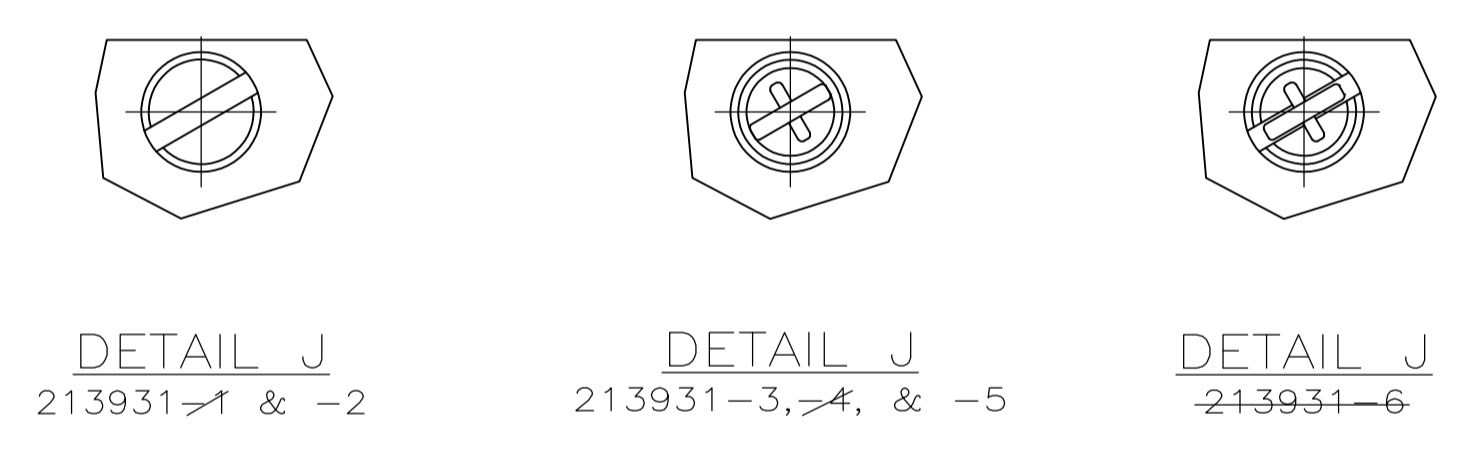


LOC		DIST		REVISIONS			
P	LTR	DESCRIPTION	DATE	DMN	APVD		
K1		REVISED PER ECO-06-13342	6/15/06	SS	GS		
K2		REVISED PER ECO-09-021826	07JAN10	KK	AEG		



△ 2.54um [.000100] MIN NICKEL OVER
2.54um [.000100] MIN COPPER.

△ OBSOLETE PARTS: OBSOLETE CIS STREAMLINING PER D.RENAUD/D.SINISI



ASSEMBLED VIEW

RECEPTACLE HOUSING	CABLE RANGE DIA	PACKAGING	FINISH	MATERIAL	PART NUMBER	
△ OBSOLETE	YES	7.62-11.43 [.300-.450]	BULK	-	STAINLESS STEEL	213931-9-
△ OBSOLETE	YES	11.05-13.84 [.435-.545]	INDIVIDUAL	-	STAINLESS STEEL	213931-8-
△ OBSOLETE	YES	11.05-13.84 [.435-.545]	BULK	△	ZINC	213931-7-
△ OBSOLETE	NO	11.05-13.84 [.435-.545]	INDIVIDUAL	△	ZINC	213931-6
	YES	7.62-11.43 [.300-.450]	INDIVIDUAL	△	ZINC	213931-5
△ OBSOLETE	NO	11.05-13.84 [.435-.545]	INDIVIDUAL	△	ZINC	213931-4-
	YES	11.05-13.84 [.435-.545]	INDIVIDUAL	△	ZINC	213931-3
	YES	7.62-11.43 [.300-.450]	INDIVIDUAL	-	STAINLESS STEEL	213931-2
△ OBSOLETE	YES	11.05-13.84 [.435-.545]	BULK	-	STAINLESS STEEL	213931-1-

THIS DRAWING IS A CONTROLLED DOCUMENT.

DIN D BROCKWAY 12DEC95
CHK C DORWART 12DEC95
APP'D M MCALONIS 13DEC95

Tyco Electronics Corporation
Harrisburg, PA 17105-3608

NAME: CONNECTOR KIT, UNASSEMBLED, RECEPTACLE, 34 POSITION, M SERIES

PRODUCT SPEC: -
APPLICATION SPEC: -
SIZE: A1
CAGE CODE: 00779
DRAWING NO: 213931

RESTRICTED TO: -
WEIGHT: -
CUSTOMER DRAWING: -

SCALE: 2:1
SHEET: 1 of 1
REV: K2