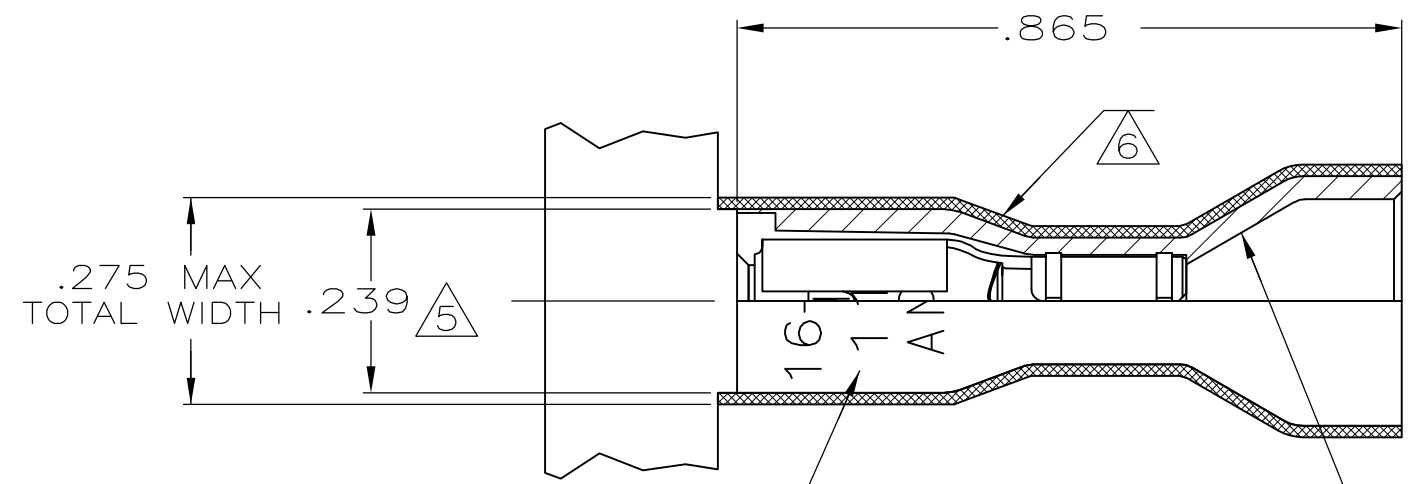
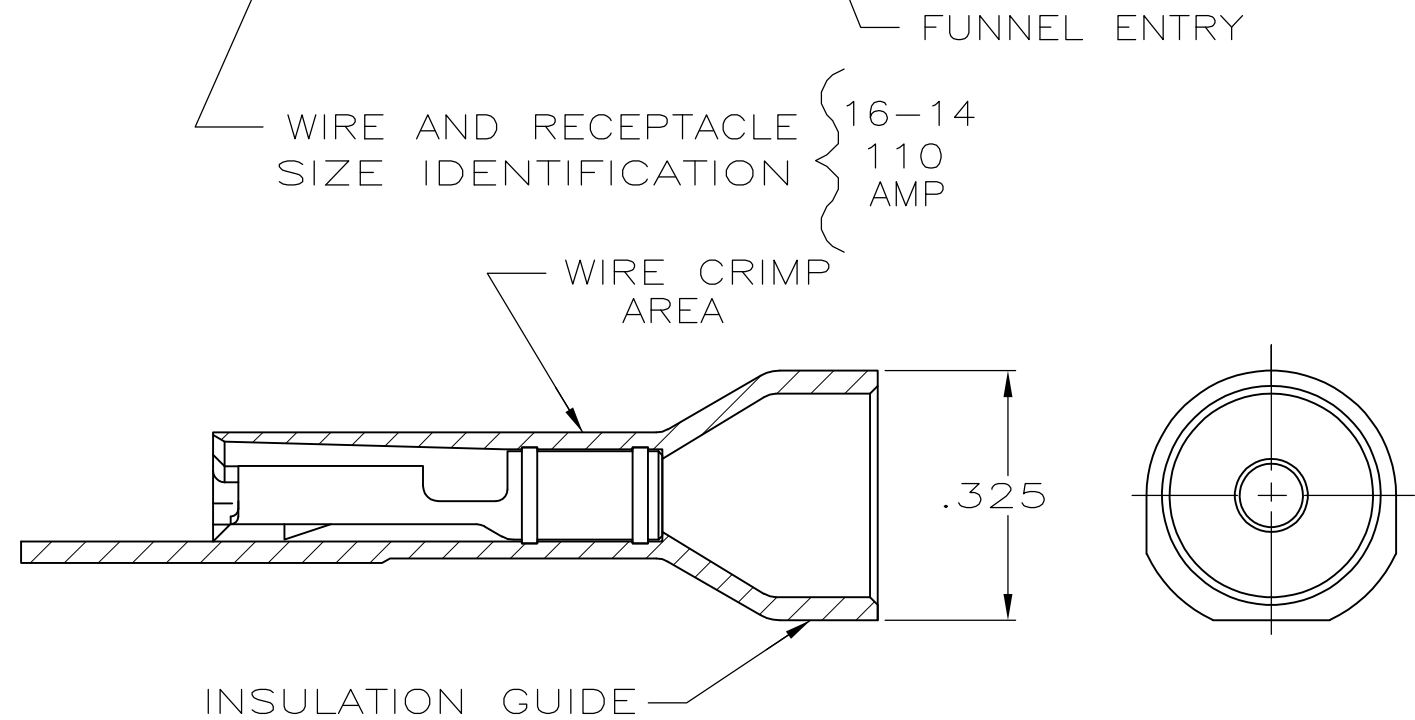
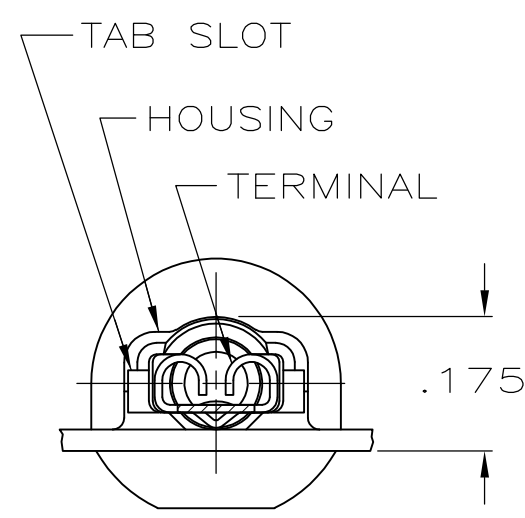


THIS DRAWING IS UNPUBLISHED. RELEASED FOR PUBLICATION  
 © COPYRIGHT - By - ALL RIGHTS RESERVED.


LOC	DIST	REVISIONS					
		P	LTR	DESCRIPTION	DATE	DWN	APVD
AF	50		K	REVISED PER ECR-12-005303	23JUL12	KH	KR



- 1 MATES WITH .020±.001X.110 OR .125 TABS.
- 2 WIRE STRIP LENGTH .281
- 3 INSULATION SIZE .260 MAX DIA
- 4 CONTINUOUS STRIP ON REELS
- 5 DIMENSION DOES NOT INCLUDE TRIM BURR
- 6 .015 MAX CARRIER TRIM BURR PER SIDE IS ALLOWABLE IN THE SHADED AREA



HOUSING: NYLON, COLOR-BLUE TRANSLUCENT  
 RECEPTACLE: #3 HARD BRASS, TIN  
 MATERIAL & FINISH  
 PART NO 3-520370-2

THIS DRAWING IS A CONTROLLED DOCUMENT.		DWN P FORTNEY 11/9/88	 TE Connectivity NAME RECEPTACLE ASSY, ULTRA-FAST, .110/.125 SERIES, 16-14 AWG				
DIMENSIONS: INCHES		CHK MS FEHER 11/9/88				APVD K RANDOLPH 11/11/88	PRODUCT SPEC 108-2043
TOLERANCES UNLESS OTHERWISE SPECIFIED:		APPLICATION SPEC 114-2123				WEIGHT -	
MATERIAL SEE TABLE		FINISH SEE TABLE				RESTRICTED TO -	
0 PLC ± - 1 PLC ± - 2 PLC ± - 3 PLC ± .015 4 PLC ± - ANGLES ± -		SIZE A3		CAGE CODE 00779	DRAWING NO C-520370		
CUSTOMER DRAWING		SCALE 4:1		SHEET 1 OF 1	REV K		