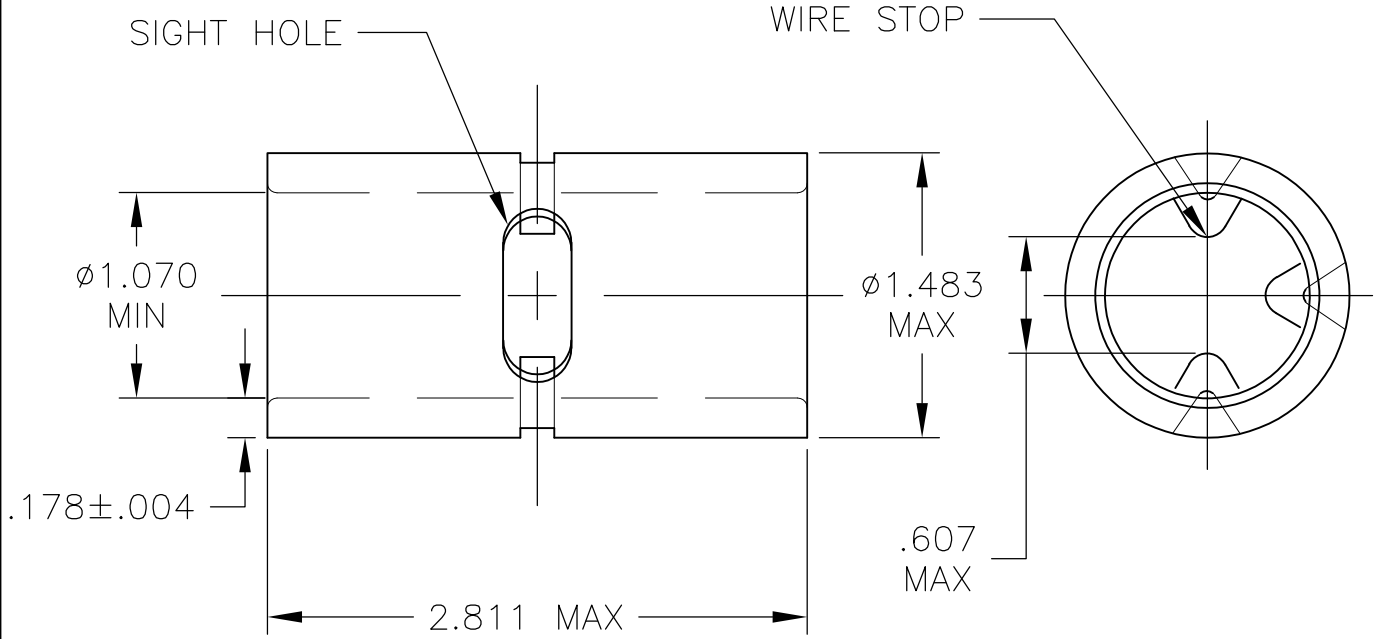


LOC G	DIST 14	REVISIONS			
P	LTR	DESCRIPTION	DATE	DWN	APVD
	B1	REVISED PER ECR-08-022483	29SEP08	HMR	JR

1 MATERIAL: COPPER PER ASTM B152, ANNEALED



THIS DRAWING IS UNPUBLISHED. ALL INTERNATIONAL RIGHTS RESERVED. BY TYCO ELECTRONICS CORPORATION.

DIMENSIONS: INCHES  TOLERANCES UNLESS OTHERWISE SPECIFIED: 0 PLC ± - 1 PLC ± - 2 PLC ± - 3 PLC ± .005 4 PLC ± - ANGLES ± 0° 30'	DWN RAGHAVENDRA 29SEP08	MATERIAL 1	FINISH TIN PLATE PER ASTM B545
	CHK JEFF RUTH 29SEP08	Tyco Electronics Corporation Harrisburg, PA 17105-3608	
	APVD Michielutti Thomas 29SEP08	NAME WIRE SPLICE SOLISTRAND- BUTT WIRE SIZE: 500-600 MCM	
	PRODUCT SPEC -	SIZE A4	RESTRICTED TO -
	APPLICATION SPEC -	CAGE CODE 00779	DRAWING NO G-322282
	WEIGHT -	SCALE 1:1 SHEET 1 OF 1 REV B1	
CUSTOMER DRAWING			