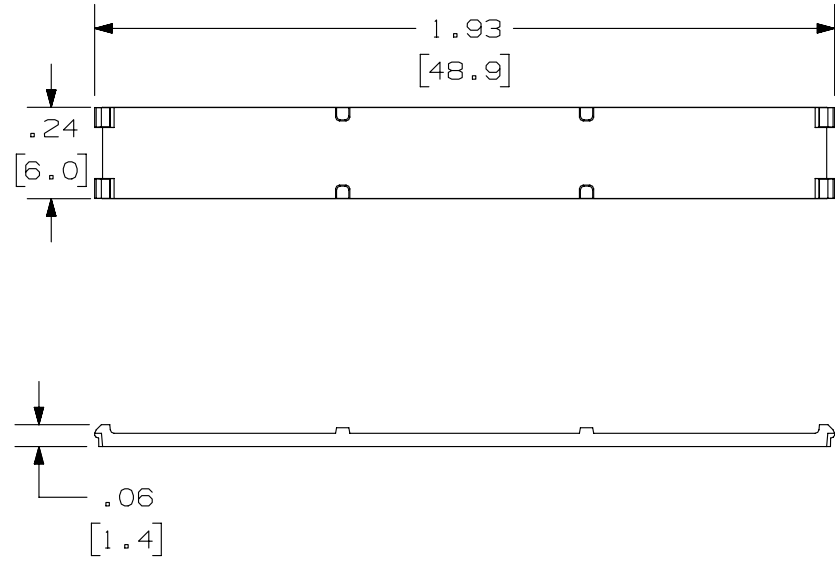
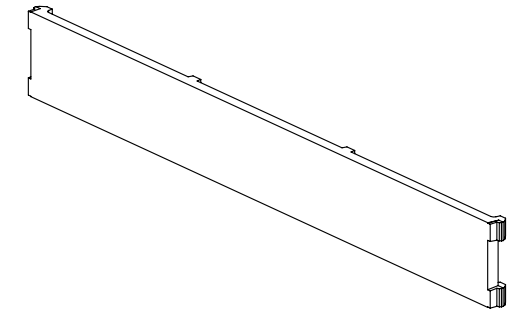


THIS COPY IS PROVIDED ON A RESTRICTED BASIS AND IS NOT TO BE USED IN ANY WAY DETRIMENTAL TO THE INTERESTS OF PANDUIT CORP.

| PANDUIT P/N | WEIGHT |
|-------------|-----------------------------------|
| UILC3**-X | .006 LB/10 PCS (2.6 g/10 PCS) |
| UILC3**-L | .029 LB/50 PCS (13.0 g/50 PCS) |



- NOTES:
1. SEE CURRENT CATALOG FOR ADDITIONAL PART NUMBER SUFFIXES TO INDICATE COLOR.
 2. SEE CATALOG FOR COMPLETE LIST OF PARTS APPLICABLE FOR USE WITH THIS PART.
 3. DIMENSIONS IN () ARE IN METRIC.



| | | | |
|---|----------|----------------------|-------|
| PART NUMBER | | UILC3**-X, UILC3**-L | |
| TITLE | | | |
| ULTIMATE ID 3 POSITION REPLACEMENT LABEL COVER | | | |
| CUSTOMER DRAWING | | | |
| ITEM REVISION NAME | | M01283BC/05 | |
| DATASET FILE NAME | | M01283BC_DC/05B | |
| UNLESS OTHERWISE SPECIFIED, DIMENSIONAL TOLERANCES ARE: IN (mm) | | MATERIAL: | |
| .X ± .xxx ± .010 (.3) | | CLEAR: POLYSTYRENE | |
| .XX ± .03 (.8) ANGLES ± | | OTHER COLORS: ABS | |
| THIRD ANGLE PROJECTION | | DRAWING NUMBER: | |
| 01283-07 | | 01283-07 | |
| DRAWN BY | DATE | CHK | SCALE |
| JSP | 11-26-02 | MJD | NONE |
| SHT 1 OF 1 | | | SIZE |
| | | | A |

| REV | DATE | BY | CHK | APR | DESCRIPTION | ECN |
|-----|----------|-----|------|-----|---------------------------------|----------|
| 1 | 5/16/14 | JSP | REFR | MMR | A. REVISED DRAWING TITLE BLOCK. | 01283-07 |
| R | 11-26-02 | JSP | MJD | MJD | RELEASED TO PRODUCTION | 01283-07 |

D10100DA/14