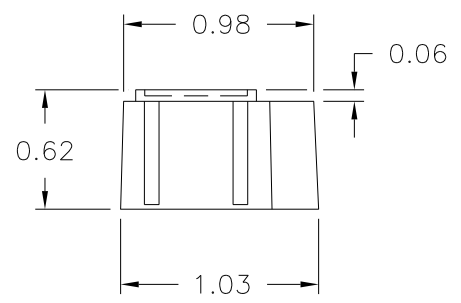
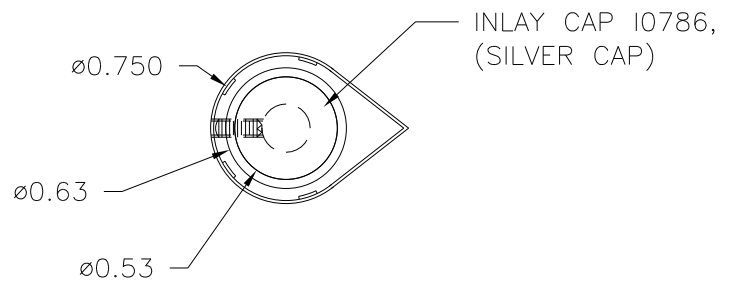


PART NAME: KNOB SCALE: 1:1 DATE: 8/28/97 DR. BY HD

DAVIES MOLDING COMPANY
CAROL STREAM, ILLINOIS 60188

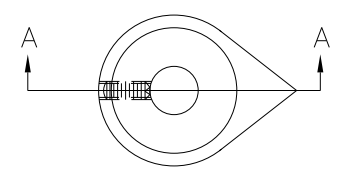
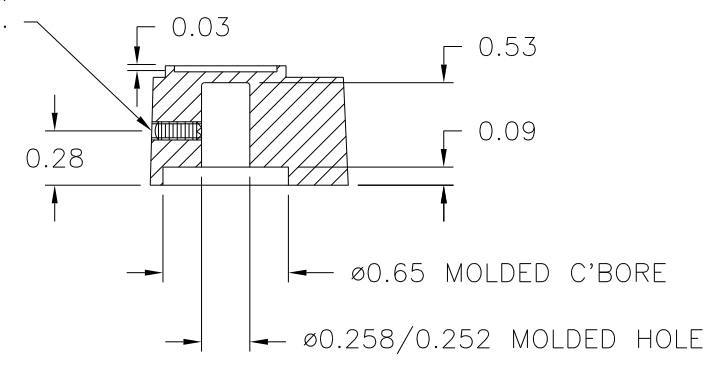
P/N 1210AX	
BASE PART	1210-03
SET SCREW	I0357
INLAY	I0786

THIS DRAWING IS THE PROPERTY OF DAVIES MOLDING COMPANY, IS SUBMITTED SOLELY AS A DESIGN OR ENGINEERING PROJECT. WE ACCEPT NO RESPONSIBILITY WHATSOEVER FOR THE PRACTICAL APPLICATION OF THE PIECES MADE TO THIS DESIGN.



USE # 28 DRILL (0.140), #8-32 TAP,
8-32 THREAD X 1/4 LG. CUP POINTED,
SLOTTED TYPE, SET SCREW I0357.

SECTION A-A



MATERIAL: G.P. PHENOLIC (B11)
COLOR: BLACK

TOLERANCES: UNLESS OTHERWISE SPECIFIED	DO NOT SCALE DRAWING				
DECIMALS: X.XXX ± .005 X.XX ± .015	MM: X.XX ± 0.15MM X.X ± 0.4MM	-	UPDATED/HAD TOOLBOX	ST	4/17/2000
FRACTIONS ± 1/64	ANG. ± 1°	CHANGES			