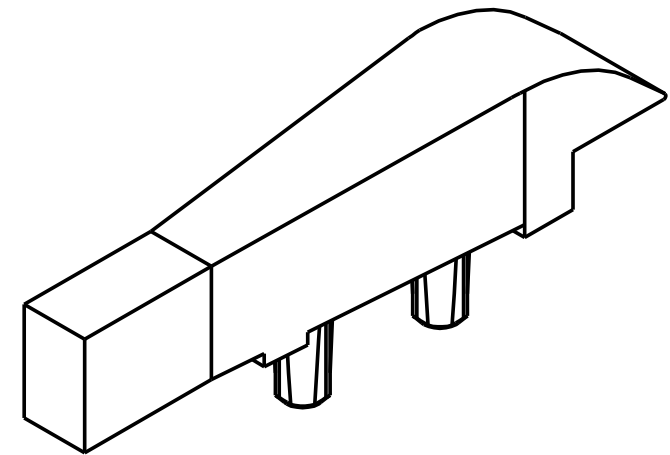
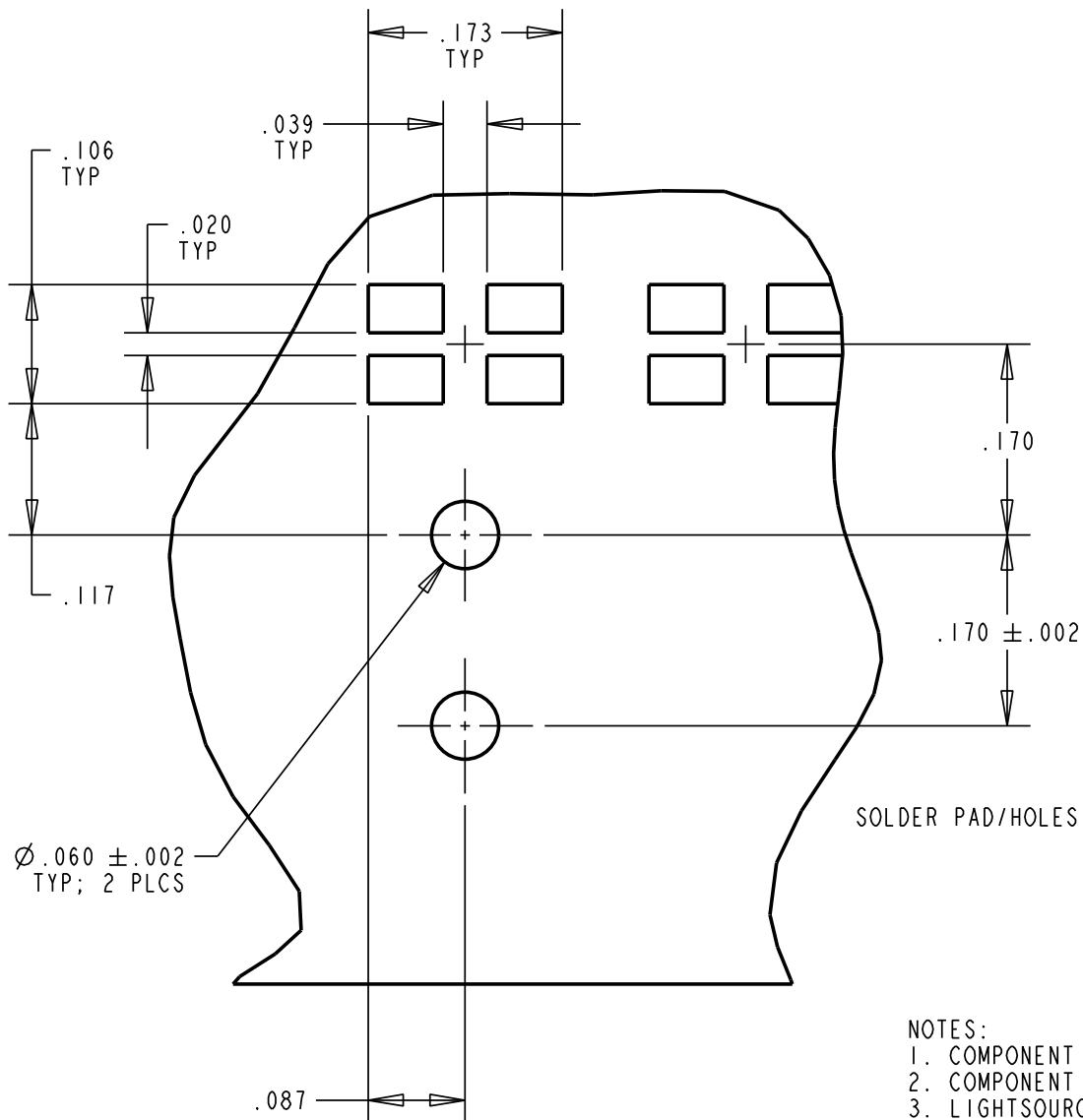
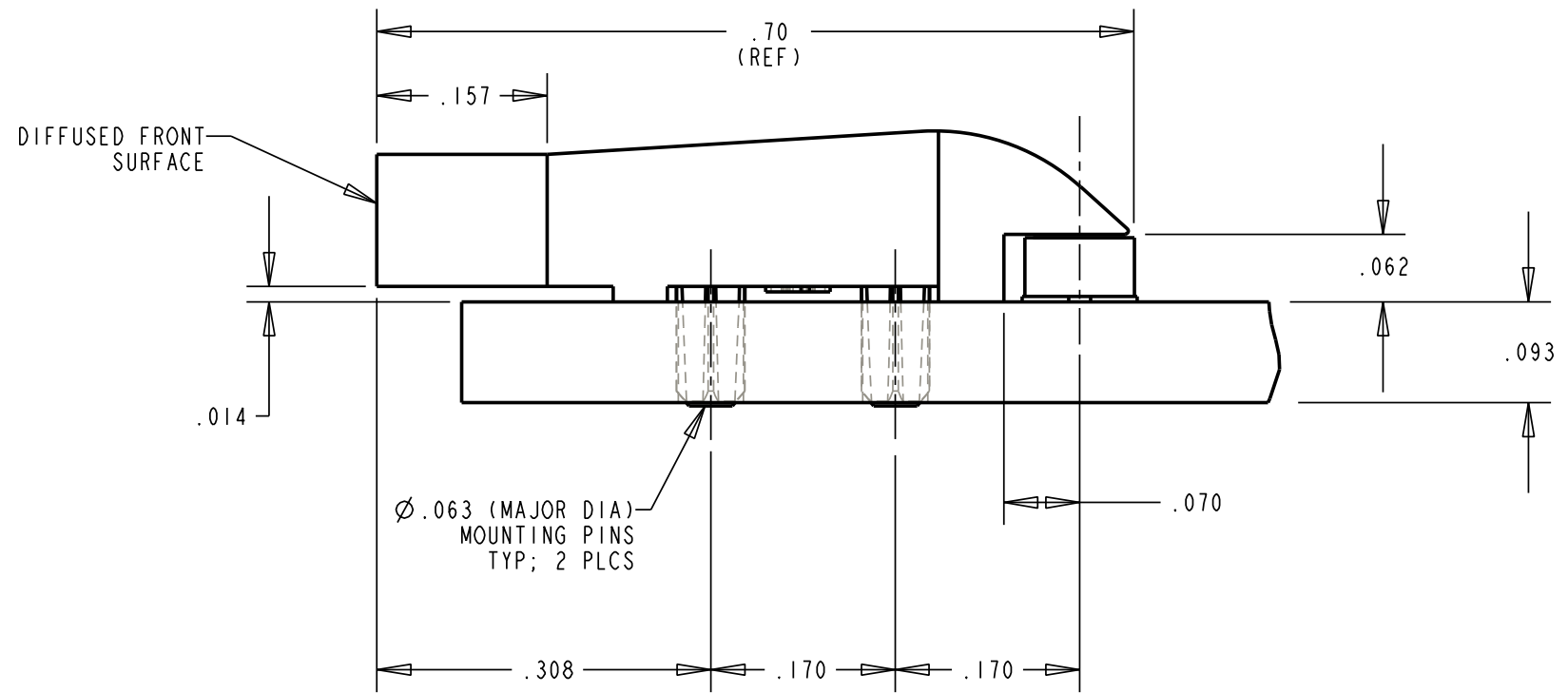
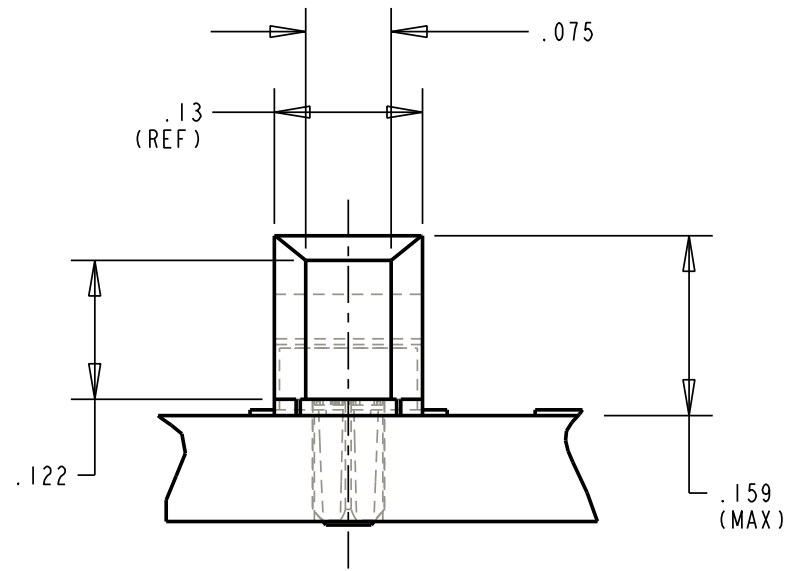


REV	ECN NO	REVISIONS	DRN	CKD	APP	DATE
A	—	NEW RELEASE	M.C.	D.C.	N.O.	2-22-00
B	—	ADDED "(UL94V-0 FLAMMABILITY CLASS)" TO NOTE 1.	KLJ			



SOLDER PAD/HOLES LAYOUT

- NOTES:
1. COMPONENT TO BE MOLDED IN A CLEAR TRANSMISSIVE POLYCARBONATE. (UL94V-0 FLAMMABILITY CLASS)
 2. COMPONENT TO BE PRESSED INTO A .093" THICK P.C. BOARD.
 3. LIGHTSOURCE: SINGLE OR BICOLOR SMT LED (DIALIGHT SERIES PART NUMBER: 597-XXXX-507).
 4. DIALIGHT LIGHTPIPE PART NUMBER: 515-1105.
 5. CUSTOMER PART NUMBER (REF): 700-06777-01.

THIS DRAWING AND THE CONTENTS HEREIN ARE CONFIDENTIAL AND THE SOLE PROPERTY OF DIALIGHT. REPRODUCTION OF THIS DRAWING OR CONSTRUCTION OF ANY PARTS WITHIN THIS DRAWING ARE FORBIDDEN WITHOUT THE WRITTEN CONSENT OF DIALIGHT.

SCALE: 6.000	DRAWING NUMBER	REV
ALL DIM'S IN: INCHES (MM)	C-16653	B
TOLERANCES: UNLESS OTHERWISE SPECIFIED	TITLE	
FRACTIONS: ±1/64	SINGLE-ELEMENT LIGHT PIPE	
DECIMALS (.XX): ±.02	MATERIAL	
DECIMALS (.XXX): ±.015	Dialight	
DECIMALS (.XXXX): ±.0005	1501 ROUTE 34 SOUTH	
ANGLES: ±3°	FARMINGDALE, NJ 07727	
FINISH:	FSCM 83330	
SHEET 1 OF 1		FAMILY TABLE: