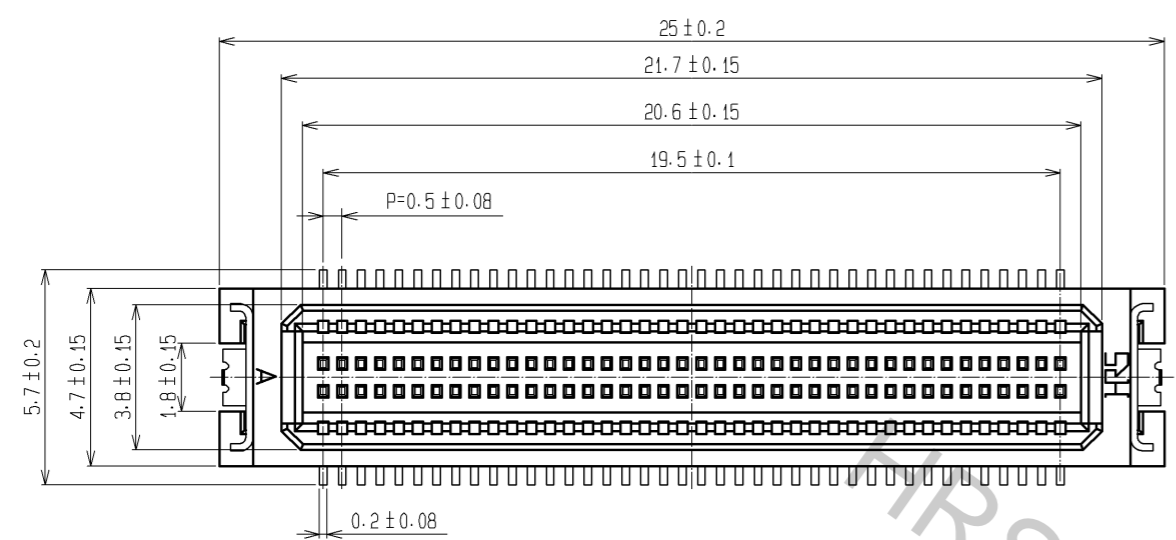
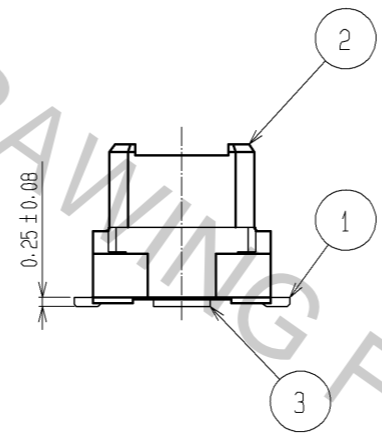
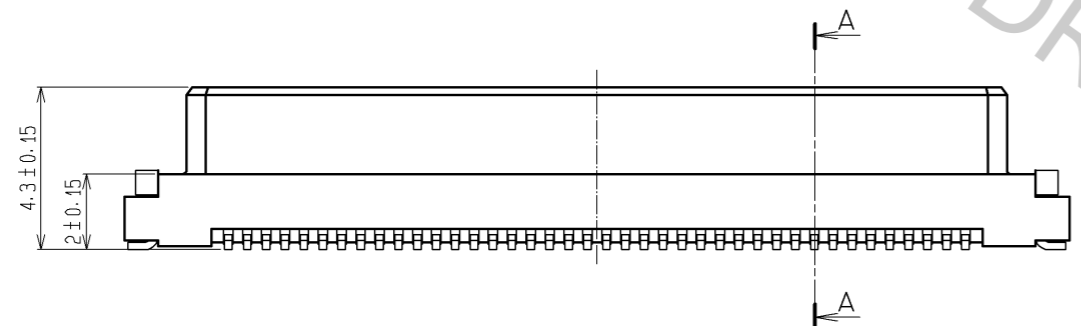
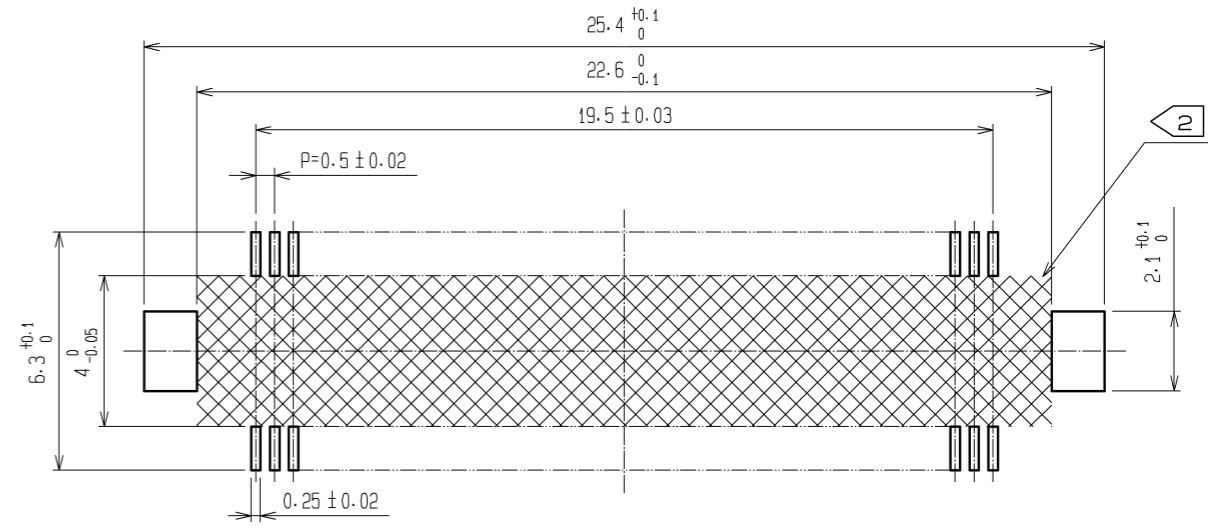


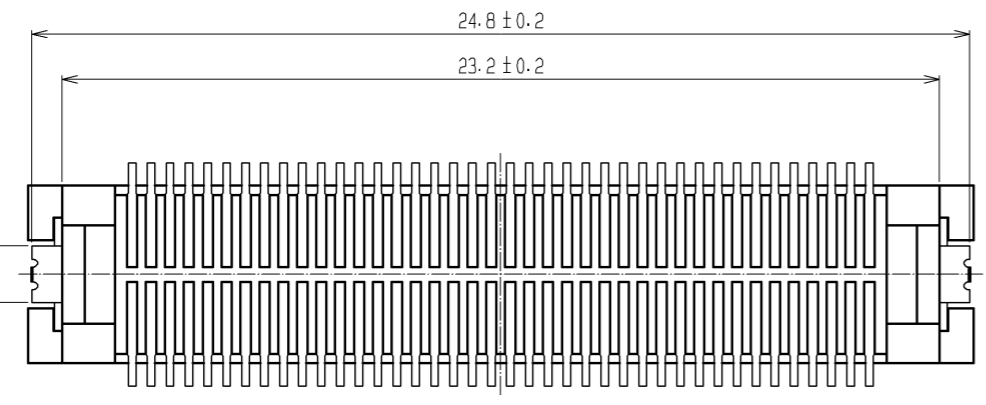
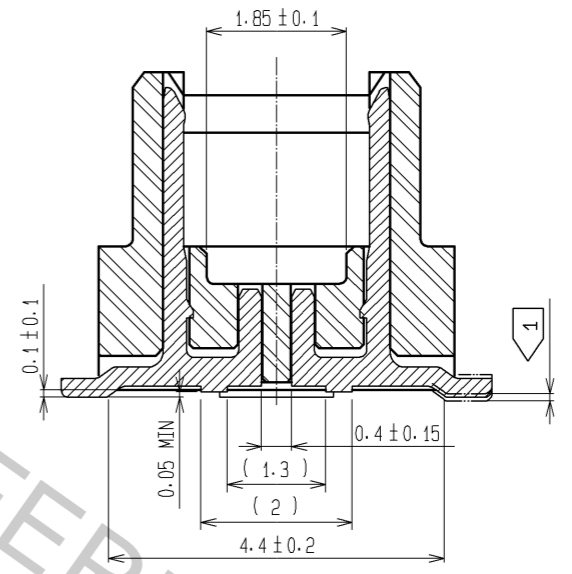
Apr.1.2017 Copyright 2017 HIROSE ELECTRIC CO., LTD. All Rights Reserved.



RECOMMENDED PATTERN

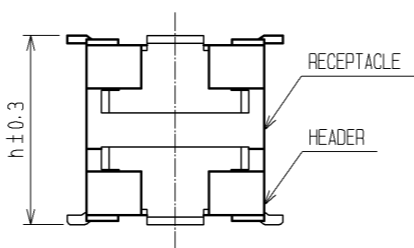


A-A (10:1)



- NOTES
- ① LEAD CO-PLANARITY INCLUDE REINFORCED METAL FITTINGS SHALL BE 0.1mm MAX .
 - ② WHEN A PART MARKED WITH HAS A PATTERN BUT NO RESIST ON IT. TAKE CARE TO PREVENT THE CONNECTOR FROM TOUCHING IT.

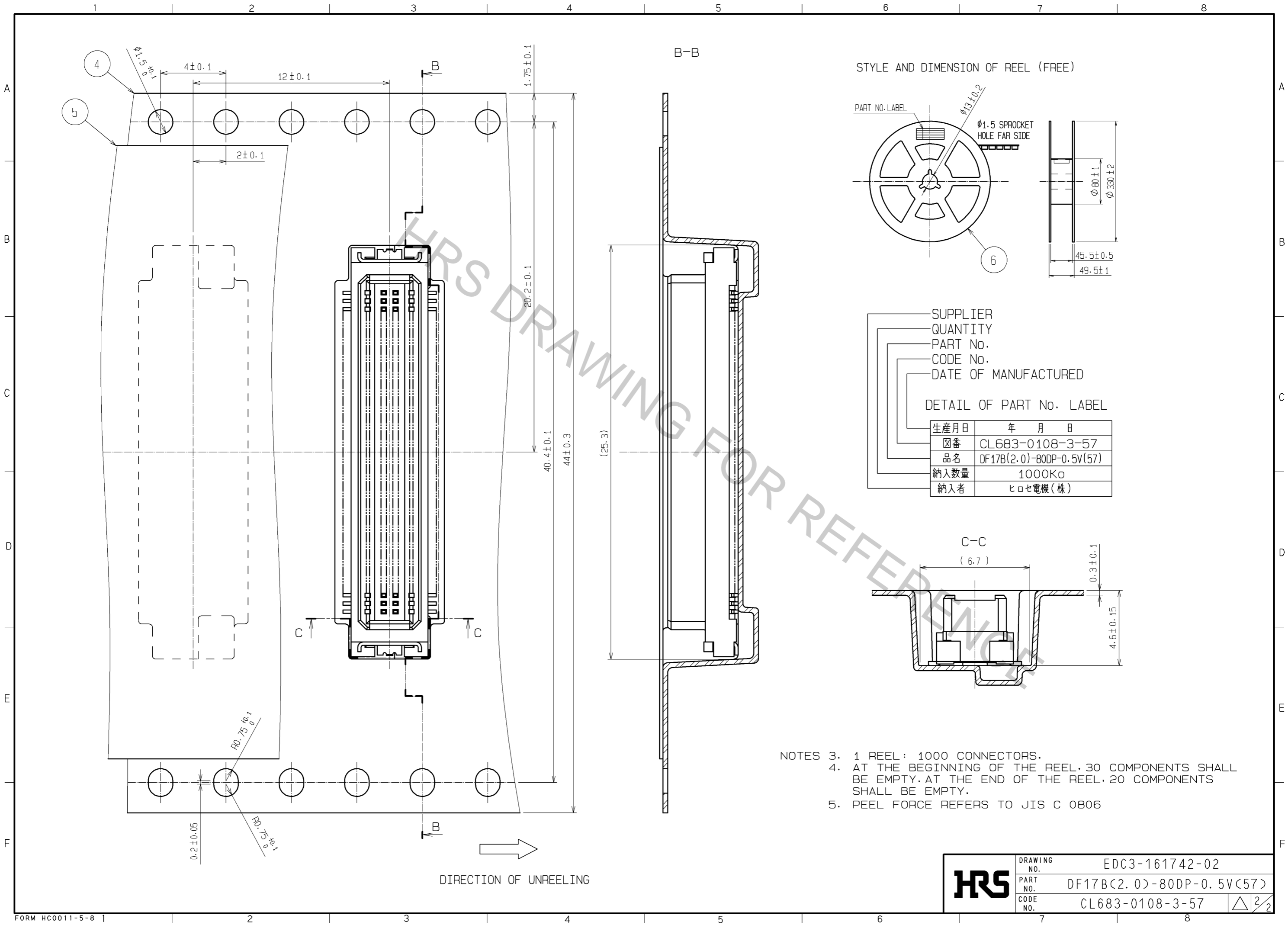
MATED HIGHT (h)		(mm)	
HEADER NO.	RECEPTACLE NO.	DF17#(3.0)-80DS-0.5V(57)	DF17#(4.0)-80DS-0.5V(57)
DF17B(2.0)-80DP-0.5V(57)	5	5	6



NO.	MATERIAL	FINISH . REMARKS	NO.	MATERIAL	FINISH . REMARKS
2	POLYAMIDE (PA6T)	WHITE BEIGE . UL94V-0	6	PS	PLASTIC REEL . BLACK
1	PHOSPHER BRONZE	CONTACT AREA:GOLD PLATED 0.1μm min	5	POLYESTER	CLEAR (COVER TAPE)
		LEAD AREA:TIN PLATED 1μm min UNDER PLATING:NICKEL PLATED 1μm min	4	A-PET	CLEAR(EMBOSSD CARRIER TAPE)
			3	PHOSPHER BRONZE	TIN PLATED : 1μm min UNDER PLATING:NICKEL PLATED 1μm min

UNITS	SCALE	COUNT	DESCRIPTION OF REVISIONS	DESIGNED	CHECKED	DATE
mm	5 : 1	△	APPROVED : KH. IKEDA 08.09.16			
			CHECED : TS. MIYAZAKI 08.09.16			
			DESIGNED : TY. YAMASAKI 08.08.19			
			DRAWN : TY. YAMASAKI 08.08.19			

DRAWING NO.	PART NO.	CODE NO.
EDC3-161742-02	DF17B(2.0)-80DP-0.5V(57)	CL683-0108-3-57



- NOTES
- 1 REEL : 1000 CONNECTORS.
 - AT THE BEGINNING OF THE REEL, 30 COMPONENTS SHALL BE EMPTY. AT THE END OF THE REEL, 20 COMPONENTS SHALL BE EMPTY.
 - PEEL FORCE REFERS TO JIS C 0806

HRS	DRAWING NO.	EDC3-161742-02
	PART NO.	DF17B(2.0)-80DP-0.5V(57)
	CODE NO.	CL683-0108-3-57
		\triangle 2/2