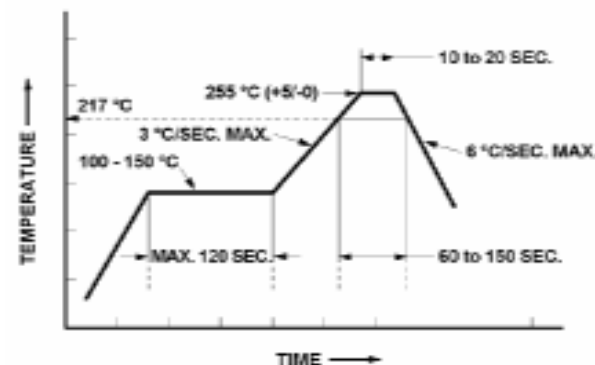


OPERATING CHARACTERISTICS AT 25° C AMBIENT

LUMINOUS COLOR	FORWARD VOLTAGE (V) @ I _F = 20 mA		LUMINOUS INTENSITY (mcd) @ I _F = 20 mA		PEAK WAVELENGTH (nm)	DOMINANT WAVELENGTH (nm)	VIEWING ANGLE (DEGREES)	LUMINOUS EFFICACY (lm/w)	LUMINOUS INTENSITY / TOTAL FLUX I _v (mcd) / Φ _v (mlm)	
	TYP	MAX	MIN.	TYP.	MAX.	TYP.	TYP.	TYP.	TYP.	
BLUE	3.9	4.3	45.00	56.00		468	470	120	75	0.45

REV	ECN NO	REVISIONS	DRN	CKD	APP	DATE
A		NEW RELEASE	TWC	N.O.	N.O.	5-12-05
B		UPDATED RoHS REFLOW PROFILE AND SOLDERING TEMP; ADDED RoHS COMPLIANCE NOTE	TWC			

ABSOLUTE MAXIMUM RATINGS AT 25° C AMBIENT	BLUE	UNITS
POWER DISSIPATION	114	mW
PEAK FORWARD CURRENT (DUTY FACTOR = 10%, FREQUENCY = 1 kHz)	100	mA
DC FORWARD CURRENT	30	mA
DERATE LINEARLY FROM 40°C	0.42	mA/°C
REVERSE VOLTAGE	5	V
JUNCTION TEMPERATURE	+110	°C
STORAGE TEMPERATURE	-55 TO +100	°C
OPERATING TEMPERATURE	-55 TO +100	°C
I.R. REFLOW SOLDERING TEMPERATURE, 20 SEC. MAX.	260	°C



RoHS COMPLIANT REFLOW SOLDERING PROFILE

Dialight 1501 ROUTE 34 SOUTH FARMINGDALE, N.J. 07727

CATALOG P/N 597-3604-307F

LED P/N _____

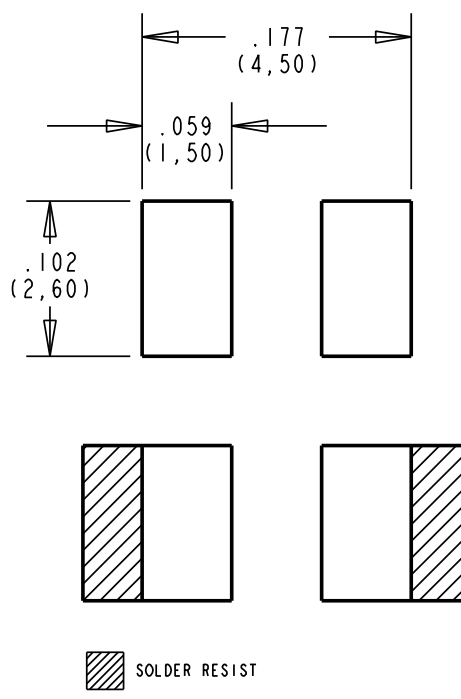
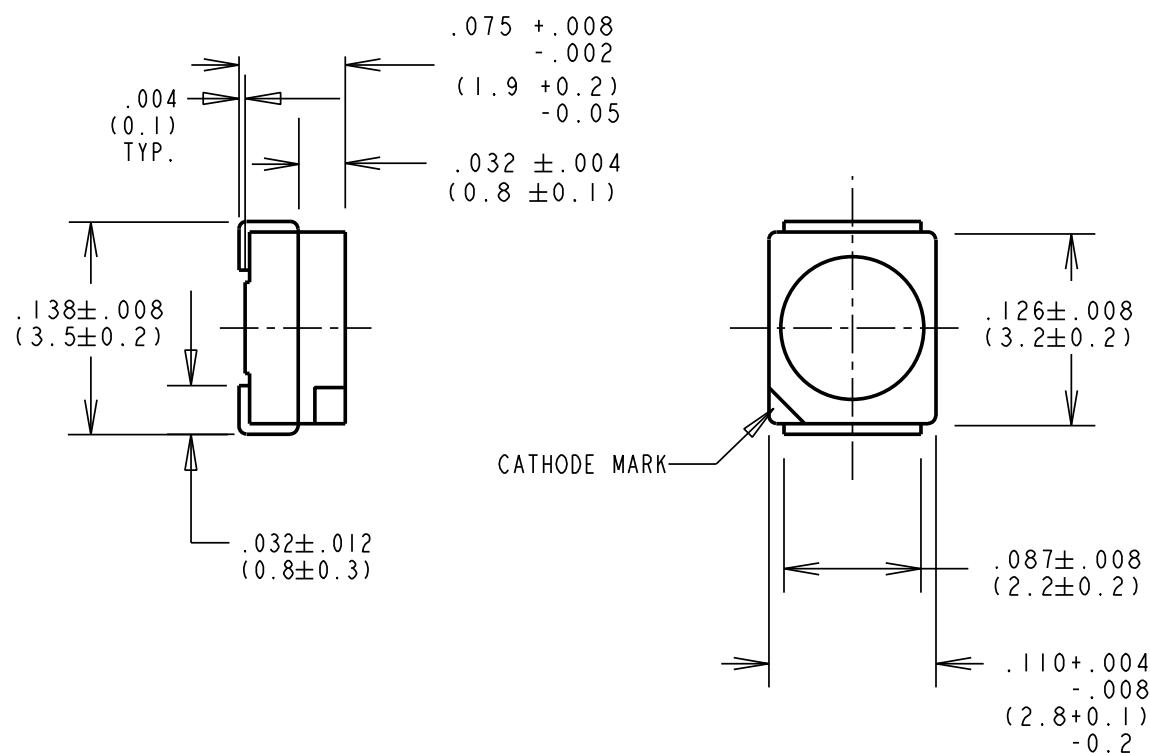
DATE CODE/LOT # _____

INTENSITY BIN/COLOR CODE _____

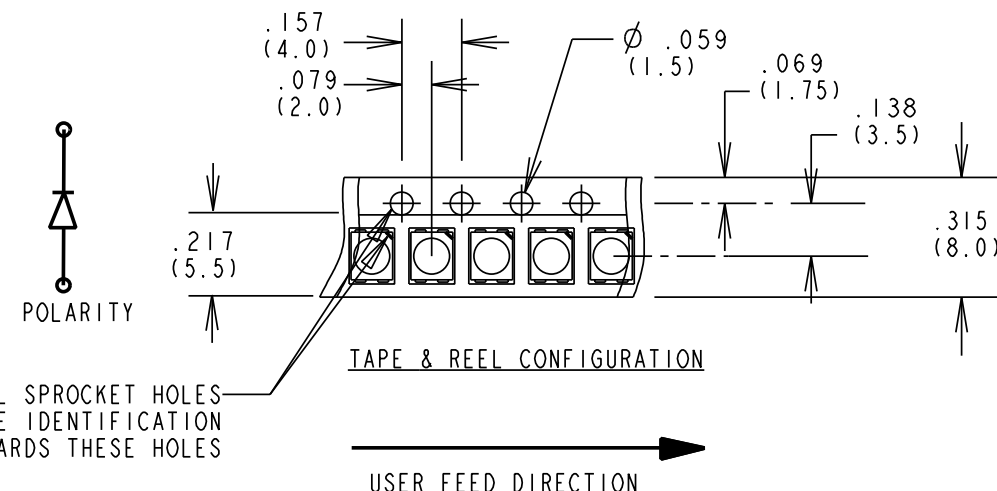
QTY/REEL _____

COUNTRY OF ORIGIN _____

FIGURE (1)



RECOMMENDED SOLDERING PAD PATTERN



RoHS Compliant 597-3604-30XF Surface Mount LED

Part Numbers with the "F" suffix ending are RoHS Compliant.
 Example: 597-3604-307F
 Packaging is marked with "RoHS Compliant" label or equivalent markings.
 Parts can be reflow soldered per RoHS reflow profile, wave soldered, dip soldered or hand soldered using typical lead-free soldering process with max 260°C temp. for 10-20 sec.

NOTES:

- DIALIGHT PART NO. 597-3604-307F FULL REEL AND 597-3604-302F 20 PCS SAMPLE STRIP.
- DIE: InGaN BLUE
- SOLDER ADHERANCE: EACH PAD PER MIL-STD-202E, METHOD 208C. TERMINAL FINISH: PURE TIN (Sn) OVER COPPER ALLOY (Cu). PRODUCT WITH "F" SUFFIX IS RoHS COMPLIANT.
- TAPE AND REEL AS PER EIA STANDARD 481-1, WITH CATHODE TOWARD SPROCKET.
- PACKAGE ON 180 mm DIA REEL, 8 mm TAPE, 2000/REEL. PACKAGING TO INCLUDE: DIALIGHT LABEL (SEE FIGURE 1) WITH CATALOG P/N, LED P/N OPTIONAL, DATE CODE/LOT NO., LUMINOUS INTENSITY RANK AND COLOR BIN CLASSIFICATION, QTY / REEL, AND COUNTRY OF ORIGIN. LABEL BOTH REEL AND SEALED ALUMINUM VAPOR BARRIER BAG WITH DESICCANT INSIDE. PARTS POSITIONED WITH 4 mm PITCH ON REELS. EACH REEL AND BAG TO BE MARKED WITH RoHS LABEL P/N 9100-117-0852-99 OR EQUIVALENT.
- ALUMINUM MOISTURE BARRIER BAG TO HAVE A MOISTURE SENSITIVITY LEVEL "2a" LABEL APPLIED AS PER JEDEC STD. 033
- TAPE AND REEL LEDS MAY REQUIRE RE-TAPING AFTER TWELVE MONTHS.
- THIS ASSEMBLY CONTAINS ELECTROSTATIC DISCHARGE SENSITIVE DEVICES (ESDS). MAINTAIN ALL PRECAUTIONARY MEASURES DURING ASSEMBLY, HANDLING AND STORAGE IN ACCORDANCE WITH IPC-A-610.



ATTENTION:
 OBSERVE PRECAUTIONS FOR
 HANDLING ELECTROSTATIC
 SENSITIVE DEVICES

THIS DRAWING AND THE CONTENTS HEREIN ARE CONFIDENTIAL AND THE SOLE PROPERTY OF DIALIGHT. REPRODUCTION OF THIS DRAWING OR CONSTRUCTION OF ANY PARTS WITHIN THIS DRAWING ARE FORBIDDEN WITHOUT THE WRITTEN CONSENT OF DIALIGHT.		
SCALE: DRAWING SCALE ALL DIM'S IN: INCHES (MM)	DRAWING NUMBER C-17237	REV B
TOLERANCES: UNLESS OTHERWISE SPECIFIED FRACTIONS: ±1/64 DECIMALS (.XX): ±.01 DECIMALS (.XXX): ±.005 DECIMALS (.XXXX): ±.0005 ANGLES: ±1°	TITLE BLUE PLCC-SM SMT LED RoHS COMPLIANT	
FINISH:	MATERIAL	
FSCM 83330	1501 ROUTE 34 SOUTH FARMINGDALE, NJ 07727	
	SHEET 1 OF 1	FAMILY TABLE: