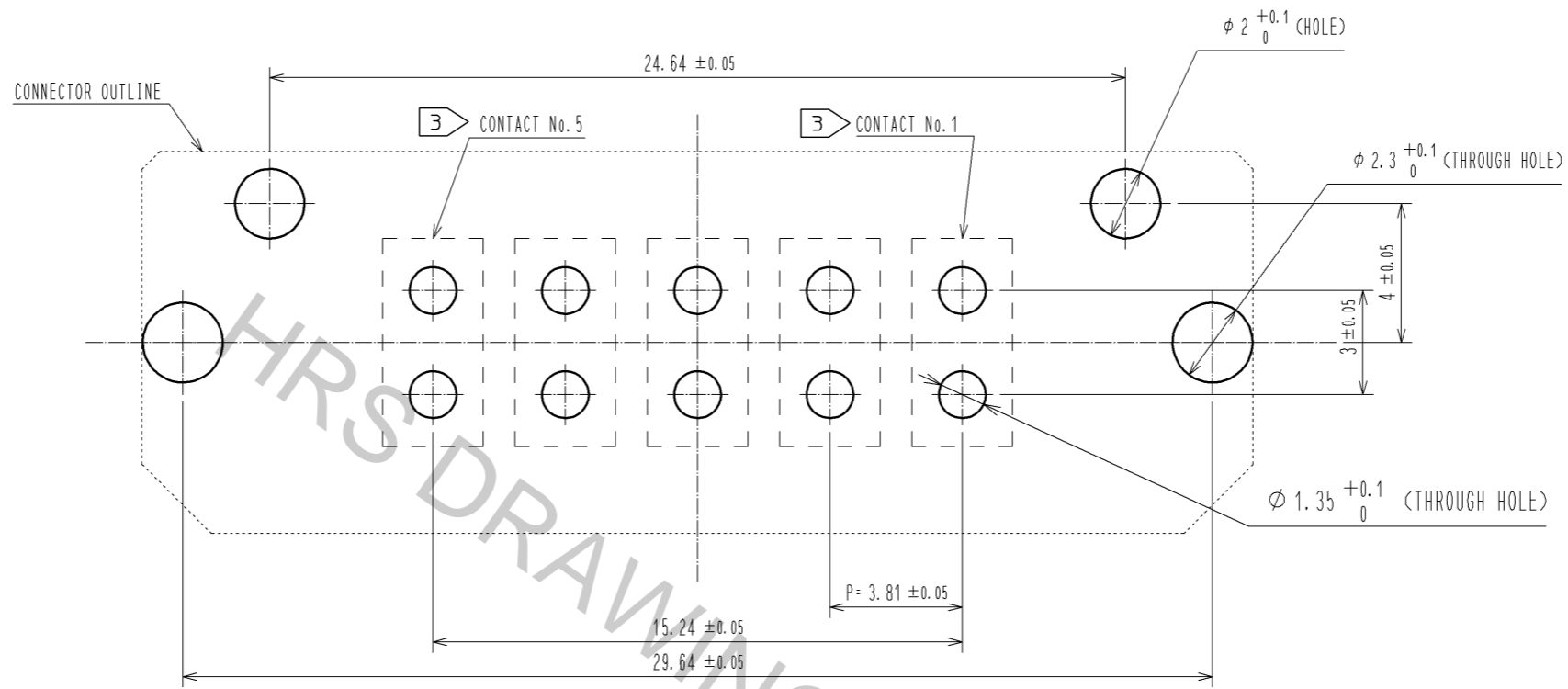


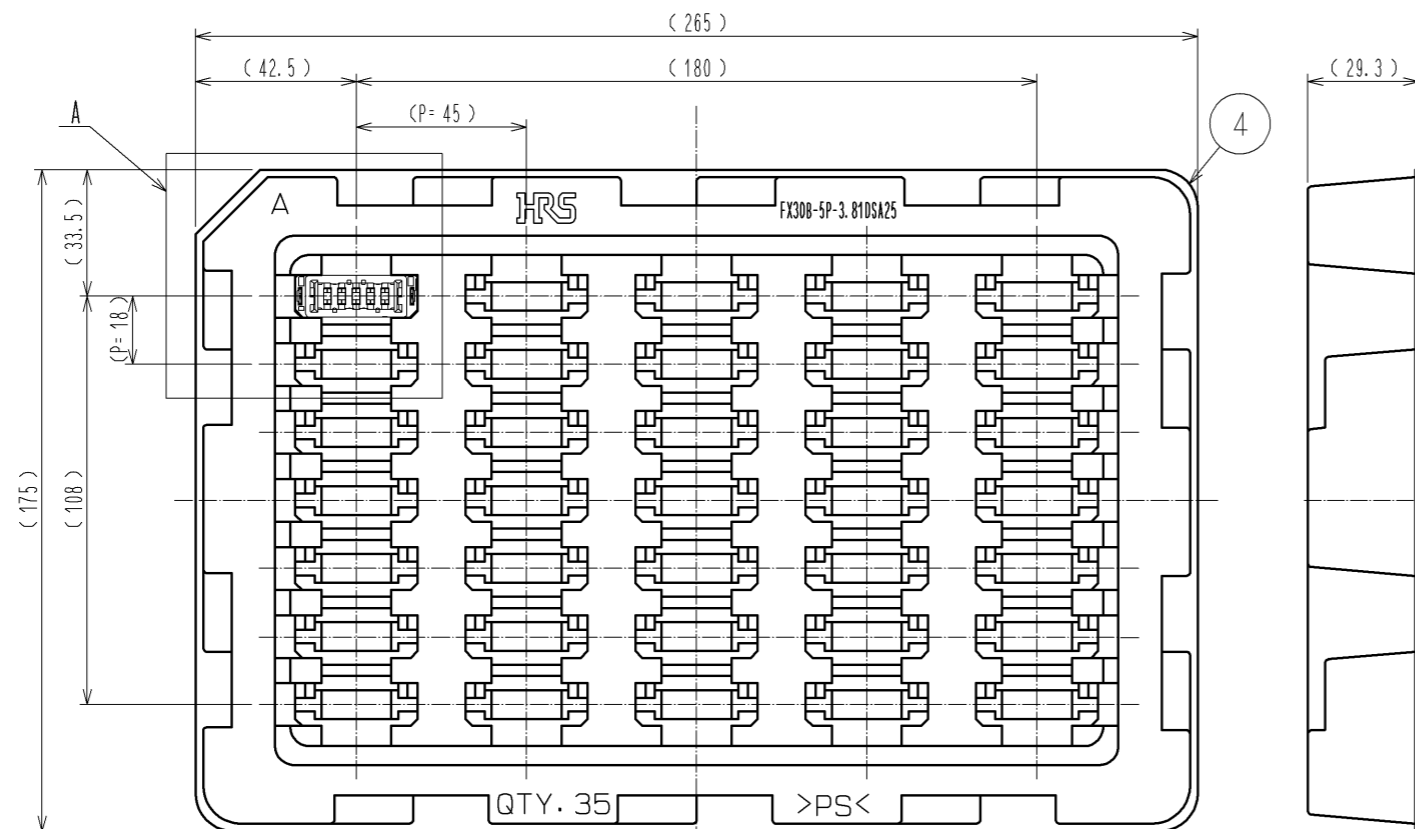
- NOTE
- 1 THIS PRODUCT IS PACKAGED IN TRAY. (35pcs/TRAY)
 - 2 BLEMISH AND HIT MARK CAN BE OCCURED THROUGH OUT THE MANUFACTURING PROCESS WHICH DOESN'T AFFECT QUALITY LEVEL. ALSO, BLACK SPOT COULD BE OBSERVED ON THE SURFACE OF HOUSING.
 - 3 FOR THE CONTACT NO., ADJACENT TWO PAIRS OF LEADS PLACED BACK-TO-BACK (4 LEADS IN TOTAL) COMPOSE ONE LINE.
 - 4 MISALIGNMENT ABSORBING RANGE: ± 0.3mm max.
 - 5 THE DIMENSION IN PARENTHESES ARE FOR REFERENCES.
 - 6 LOT NO. IS INDICATED AT EITHER ONE OF THE POSITION AS SHOWN.

| 2 | COPPER ALLOY | CONTACT AREA:GOLD-PLATING 0.1 μm | 4 | POLYSTYRENE | | | | |
|---------------------------|--------------|----------------------------------|----------|-----------------------------|------------------|-----------------|-----------------------------|------|
| | | LEAD AREA:TIN-PLATING 1.0 μm | | | 3 | PHOSPHOR BRONZE | TIN-PLATING 3.0 μm | |
| | | UNDER PLATING:NICKEL 1.0 μm | | | | | UNDER PLATING:NICKEL 1.0 μm | |
| 1 | POLYAMIDE | BLACK UL94V-0 | | | | | | |
| NO. | MATERIAL | FINISH . REMARKS | NO. | MATERIAL | FINISH . REMARKS | | | |
| UNITS mm | | SCALE 2 : 1 | COUNT | DESCRIPTION OF REVISIONS | | DESIGNED | CHECKED | DATE |
| HIROSE ELECTRIC CO., LTD. | | APPROVED : HS. OKAWA | 13.03.13 | DRAWING NO. EDC3-347262-00 | | | | |
| | | CHECED : KI. HIROKAWA | 13.03.12 | PART NO. FX30B-5P-3.81DSA25 | | | | |
| | | DESIGNED : DK. AIMOTO | 13.03.11 | CODE NO. CL570-3203-6-00 | | | | |
| | | DRAWN : DK. AIMOTO | 13.03.11 | | | | | |

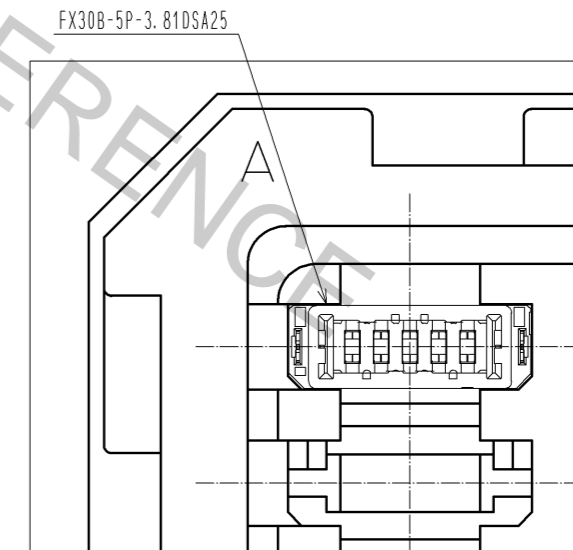
RECOMMENDED HOLE PATTERN DIMENSION OF PCB(5:1)
 (CONNECTOR MOUNTING SIDE, PCB THICKNESS: t=1.6mm)



1 DRAWING FOR PACKAGING(1:2)



A(1:1)



| | | | |
|------------|-------------|--------------------|-------|
| HRS | DRAWING NO. | EDC3-347262-00 | △ 2/2 |
| | PART NO. | FX30B-5P-3.81DSA25 | |
| | CODE NO. | CL570-3203-6-00 | |
| | | | |