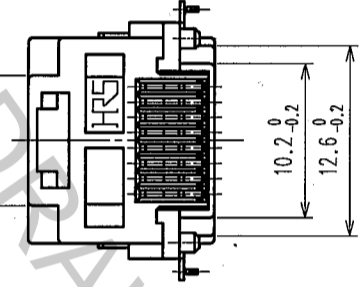
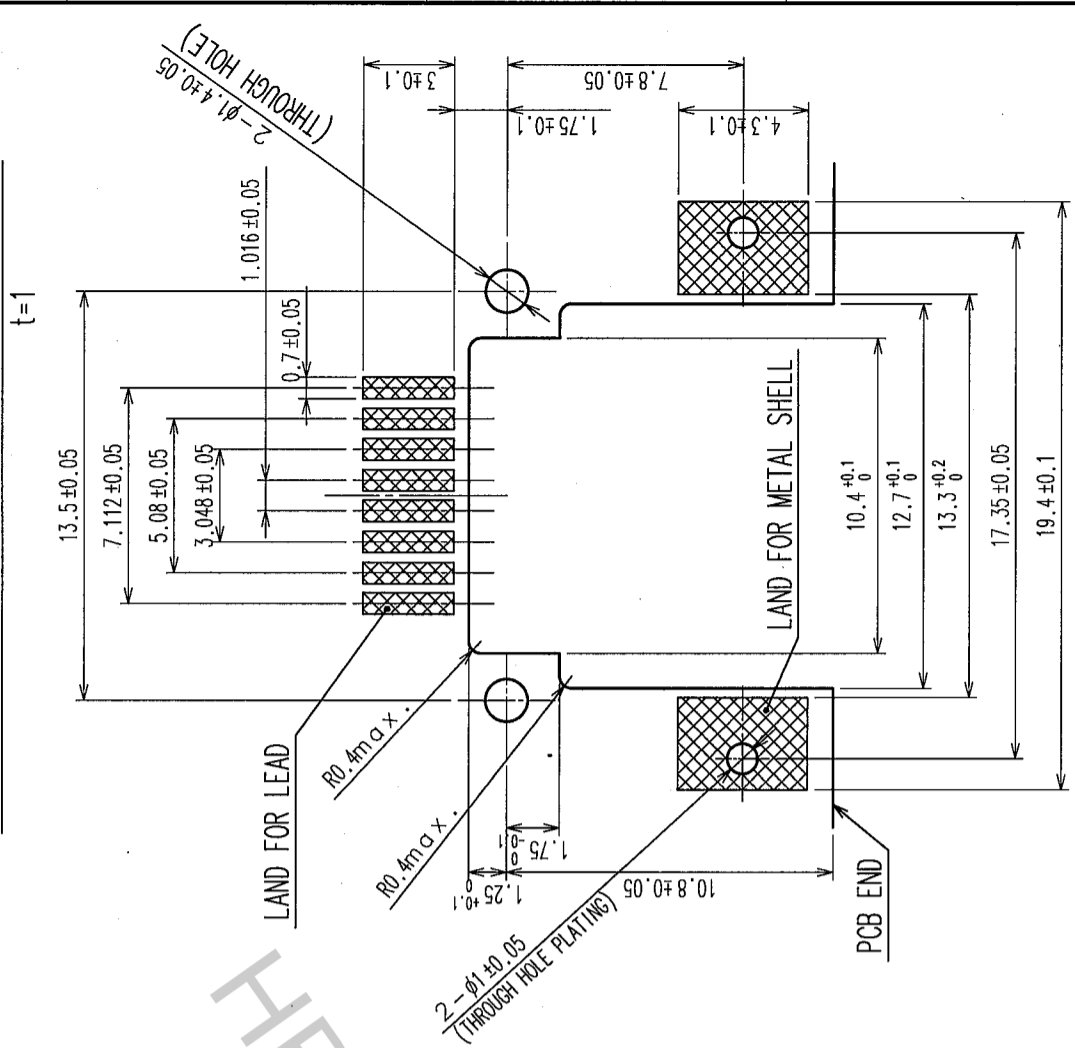


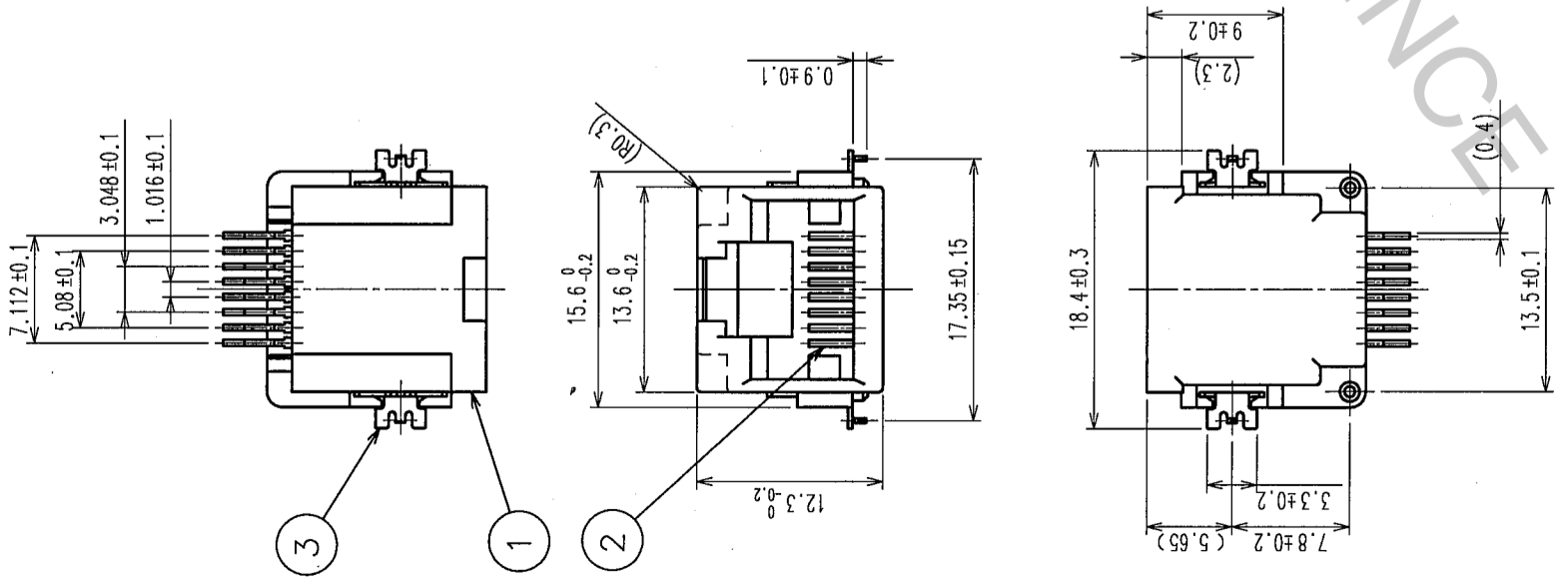
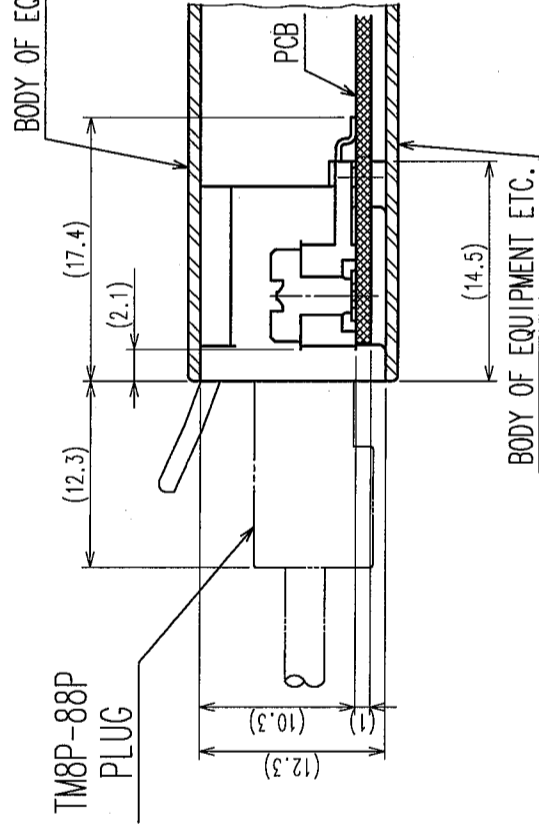
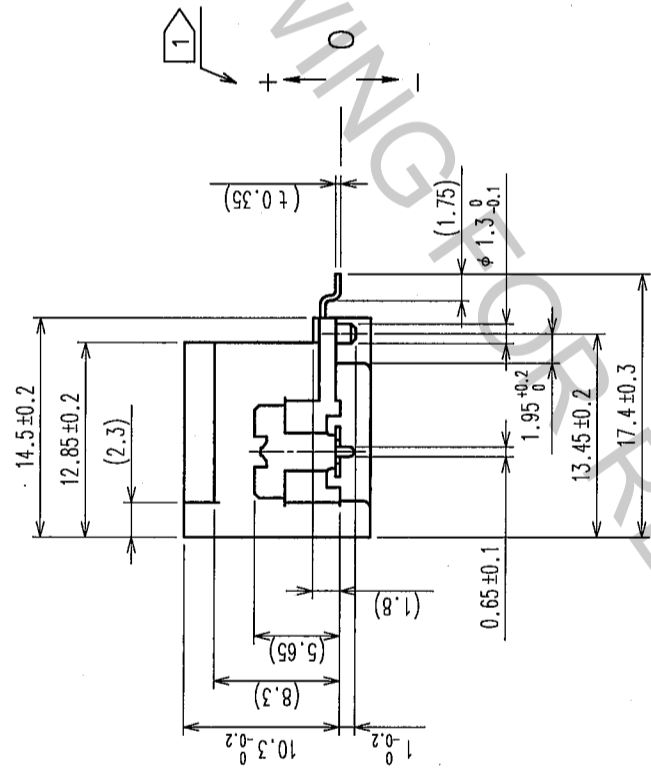
COUNT	DESCRIPTION OF REVISIONS	BY	CHKD	DATE	COUNT	DESCRIPTION OF REVISIONS	BY	CHKD	DATE
△					△				
△					△				
△					△				

RECOMMENDED PCB PATTERN, MOUNTING SIDE (4:1)



NOTE 1 THE CO-PLANARITY OF LEADS AND METAL SHELLS SHALL BE $0^{+0.05}_{-0.1}$.

SET MOUNTED EXAMPLE



2	PHOSPHOR BRONZE	SELECTIVE GOLD PLATING 1.27μm	
1	PPS	(BLACK) UL94V-0	
NO.	MATERIAL	FINISH, REMARKS	
3	COPPER ALLOY	TIN PLATING 1.4μm	
NO.	MATERIAL	FINISH, REMARKS	
DESIGNED	CHECKED	APPROVED	RELEASED
M. Stone		<i>F. Yamada</i>	
06.1.17	06.1.17	06.1.17	06.01.17

DRAWING NO. EDC3-122138-01
 PART NO. TM18R-TO-88(50)
 CODE NO. CL222-2883-9-50

HIROSE ELECTRIC CO., LTD.
 HRS