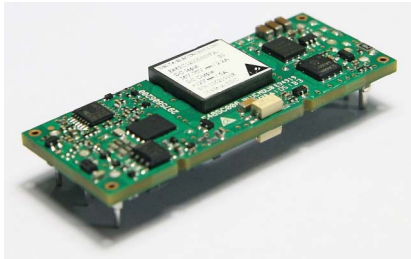


# DELPHI SERIES



## FEATURES

- ◆ High efficiency: 92% @ 12V/5A
- ◆ Size: 58.4mmx22.8mmx8.4mm (2.30"x0.90"x0.33")
- ◆ Standard footprint
- ◆ Industry standard pin out
- ◆ Fixed frequency operation
- ◆ Input UVLO, Output OCP, OVP, OTP
- ◆ 2250V isolation
- ◆ Basic insulation
- ◆ No minimum load required
- ◆ ISO 9001, TL 9000, ISO 14001, QS 9000, OHSAS 18001 certified manufacturing facility
- ◆ UL/cUL 60950-1 (US & Canada) Recognized

## Delphi Series E48SC12005, Eighth Brick Family DC/DC Power Modules: 48V in, 12V/5A out

The Delphi Series E48SC12005, Eighth Brick, 48V input, single output, isolated DC/DC converter is the latest offering from a world leader in power systems technology and manufacturing -- Delta Electronics, Inc. This product family provides up to 60 watts, improved and very cost effective power solution of industry standard footprint and pinout. With creative design technology and optimization of component placement, these converters possess outstanding electrical and thermal performances, as well as extremely high reliability under highly stressful operating conditions. All models are fully protected from abnormal input/output voltage, current, and temperature conditions. The Delphi Series converters meet all safety requirements with basic insulation.

## OPTIONS

- ◆ Positive on/off logic
- ◆ SMT or through-hole version

## APPLICATIONS

- ◆ Telecom / Datacom
- ◆ Wireless Networks
- ◆ Optical Network Equipment
- ◆ Server and Data Storage
- ◆ Industrial / Testing Equipment

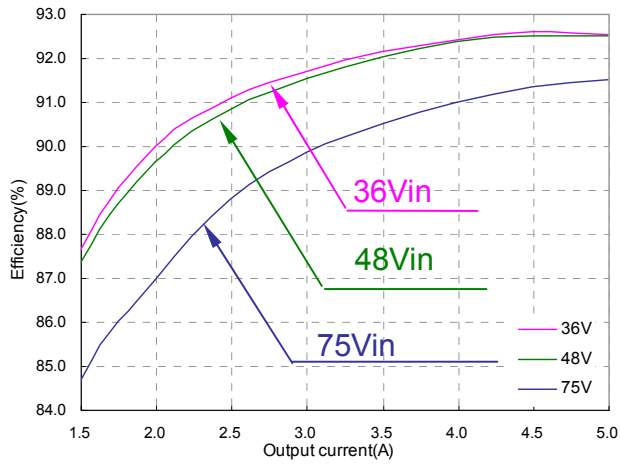
DATASHEET  
DS\_E48SC12005\_07072011

# TECHNICAL SPECIFICATIONS

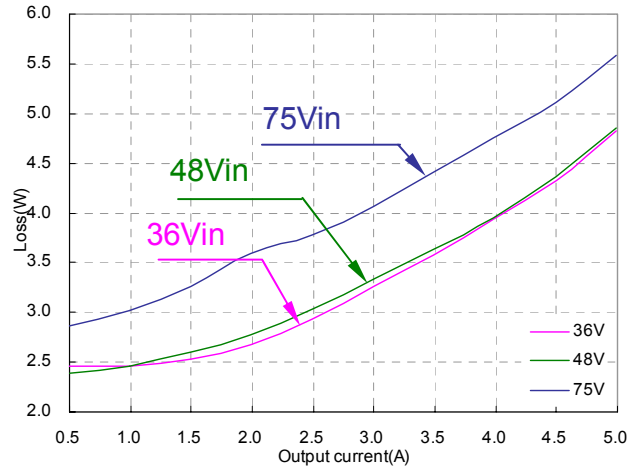
(T<sub>A</sub>=25°C, airflow rate=300 LFM, V<sub>in</sub>=48Vdc, nominal V<sub>out</sub> unless otherwise noted.)

| PARAMETER  | NOTES and CONDITIONS  | E48SC12005 (Standard) |       |       |                  |
|--|---|-----------------------|-------|-------|------------------|
|  |   | Min.                  | Typ.  | Max.  | Units            |
| <b>ABSOLUTE MAXIMUM RATINGS</b>                    |   |                       |       |       |                  |
| Input Voltage                                      |   |                       |       |       |                  |
| Continuous   |   |                       |       | 80    | Vdc              |
| Transient  | 100ms   |                       |       | 100   | Vdc              |
| Operating Hot Spot Temperature                     | Refer to Figure 19 for measuring point  | -40                   |       | 117   | °C               |
| Storage Temperature                                |   | -55                   |       | 125   | °C               |
| Input/Output Isolation Voltage                     |   |                       |       | 2250  | Vdc              |
| <b>INPUT CHARACTERISTICS</b>                       |   |                       |       |       |                  |
| Operating Input Voltage                            |   | 36                    |       | 75    | Vdc              |
| Input Under-Voltage Lockout                        |   |                       |       |       |                  |
| Turn-On Voltage Threshold                          |   | 33                    | 34    | 35    | Vdc              |
| Turn-Off Voltage Threshold                         |   | 31                    | 32    | 33    | Vdc              |
| Lockout Hysteresis Voltage                         |   | 1                     | 2     | 3     | Vdc              |
| Maximum Input Current                              | 100% Load, 36Vin  |                       |       | 2.2   | A                |
| No-Load Input Current                              |   |                       | 70    |       | mA               |
| Off Converter Input Current                        |   |                       | 5     |       | mA               |
| Inrush Current(I <sub>in</sub> )                   |   |                       |       | 1     | A <sup>2</sup> s |
| Input Reflected-Ripple Current                     | P-P thru 12µH inductor, 5Hz to 20MHz  |                       | 20    |       | mA               |
| Input Voltage Ripple Rejection                     | 120 Hz  |                       | 60    |       | dB               |
| <b>OUTPUT CHARACTERISTICS</b>                      |   |                       |       |       |                  |
| Output Voltage Set Point                           | V <sub>in</sub> =48V, I <sub>o</sub> =I <sub>o,max</sub> , T <sub>c</sub> =25°C | 11.88                 | 12.00 | 12.12 | Vdc              |
| Output Voltage Regulation                          |   |                       |       |       |                  |
| Over Load  | I <sub>o</sub> =I <sub>o,min</sub> to I <sub>o,max</sub>                        |                       | ±3    | ±15   | mV               |
| Over Line  | V <sub>in</sub> = 36V to 75V  |                       | ±3    | ±15   | mV               |
| Over Temperature                                   | T <sub>c</sub> = -40°C to 85°C  |                       |       | ±100  | mV               |
| Total Output Voltage Range                         | Over sample load, line and temperature  | 11.64                 |       | 12.36 | V                |
| Output Voltage Ripple and Noise                    | 5Hz to 20MHz bandwidth  |                       |       |       |                  |
| Peak-to-Peak                                       | Full Load, 1µF ceramic, 10µF tantalum   |                       | 40    | 120   | mV               |
| RMS  | Full Load, 1µF ceramic, 10µF tantalum   |                       | 15    | 25    | mV               |
| Operating Output Current Range                     |   | 0                     |       | 5     | A                |
| Output DC Current-Limit Inception                  | Output Voltage 10% Low  | 110                   |       | 140   | %                |
| <b>DYNAMIC CHARACTERISTICS</b>                     |   |                       |       |       |                  |
| Output Voltage Current Transient                   | 48V, 10µF Tan & 1µF Ceramic load cap, 0.1A/µs                                   |                       |       |       |                  |
| Positive Step Change in Output Current             | 25% I <sub>o,max</sub> to 50% I <sub>o,max</sub>                                |                       | 200   |       | mV               |
| Negative Step Change in Output Current             | 50% I <sub>o,max</sub> to 25% I <sub>o,max</sub>                                |                       | 200   |       | mV               |
| Settling Time (within 1% V <sub>out</sub> nominal) |   |                       | 200   |       | µs               |
| Turn-On Transient                                  |   |                       |       |       |                  |
| Start-Up Time, From On/Off Control                 |   |                       | 30    |       | ms               |
| Start-Up Time, From Input                          |   |                       | 40    |       | ms               |
| Maximum Output Capacitance                         | Full load; 5% overshoot of V <sub>out</sub> at startup                          |                       |       | 2000  | µF               |
| <b>EFFICIENCY</b>                                  |   |                       |       |       |                  |
| 100% Load  | 48Vin   |                       | 92.0  |       | %                |
| 60% Load   | 48Vin   |                       | 90.5  |       | %                |
| <b>ISOLATION CHARACTERISTICS</b>                   |   |                       |       |       |                  |
| Input to Output                                    |   |                       |       | 2250  | Vdc              |
| Isolation Resistance                               |   | 10                    |       |       | MΩ               |
| Isolation Capacitance                              |   |                       | 3000  |       | pF               |
| <b>FEATURE CHARACTERISTICS</b>                     |   |                       |       |       |                  |
| Switching Frequency                                |   |                       | 350   |       | kHz              |
| ON/OFF Control, Negative Remote On/Off logic       |   |                       |       |       |                  |
| Logic Low (Module On)                              | V <sub>on/off</sub> at I <sub>on/off</sub> =1.0mA                               | -0.7                  |       | 0.8   | V                |
| Logic High (Module Off)                            | V <sub>on/off</sub> at I <sub>on/off</sub> =0.0 µA                              | 3.5                   |       | 12    | V                |
| ON/OFF Control, Positive Remote On/Off logic       |   |                       |       |       |                  |
| Logic Low (Module Off)                             | V <sub>on/off</sub> at I <sub>on/off</sub> =1.0mA                               | -0.7                  |       | 0.8   | V                |
| Logic High (Module On)                             | V <sub>on/off</sub> at I <sub>on/off</sub> =0.0 µA                              | 3.5                   |       | 12    | V                |
| ON/OFF Current (for both remote on/off logic)      | I <sub>on/off</sub> at V <sub>on/off</sub> =0.0V                                |                       |       | 1     | mA               |
| Leakage Current (for both remote on/off logic)     | Logic High, V <sub>on/off</sub> =12V  |                       |       | 50    | µA               |
| Output Voltage Trim Range                          | P <sub>out</sub> max rated power  | -20%                  |       | 10%   | %                |
| Output Voltage Remote Sense Range                  | P <sub>out</sub> max rated power  |                       |       | 10    | %                |
| Output Over-Voltage Protection                     | Over full temperature range   | 13.8                  | 15.3  | 18    | V                |
| <b>GENERAL SPECIFICATIONS</b>                      |   |                       |       |       |                  |
| MTBF   | 48V, I <sub>o</sub> =I <sub>o, max</sub> ; 300LFM @25C                          |                       | 4.5   |       | M hours          |
| Weight   |   |                       | 21    |       | grams            |
| Over-Temperature Shutdown                          | Refer to Figure 19 for measuring point  |                       | 131   |       | °C               |

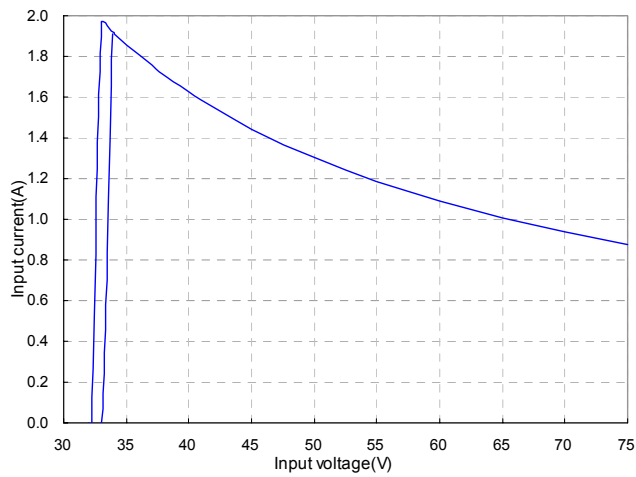
## ELECTRICAL CHARACTERISTICS CURVES



**Figure 1:** Efficiency vs. load current for 5A, minimum, nominal, and maximum input voltage at 25°C



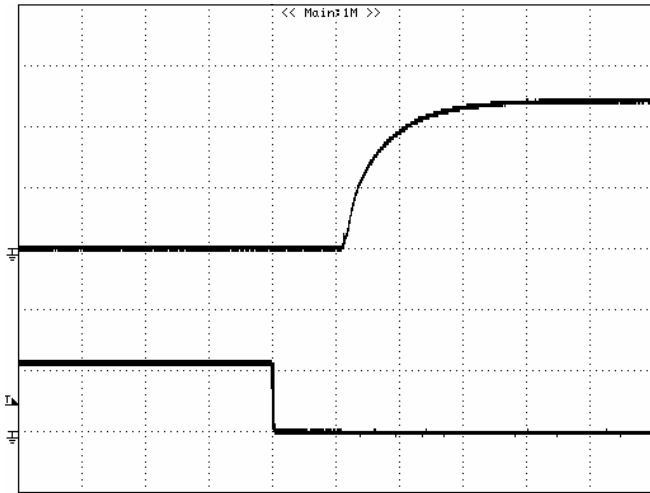
**Figure 2:** Power dissipation vs. load current for 5A, minimum, nominal, and maximum input voltage at 25°C.



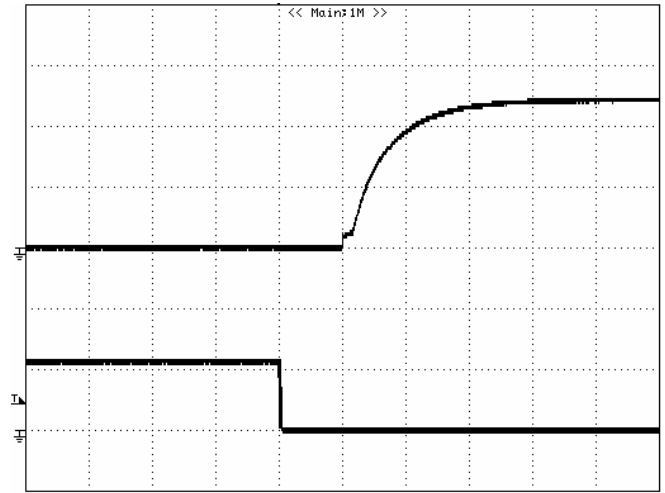
**Figure 3:** Typical full load input characteristics at room temperature

# ELECTRICAL CHARACTERISTICS CURVES

## For Negative Remote On/Off Logic



**Figure 4:** Turn-on transient at full rated load current (CC Mode load) (10ms/div).  $V_{in}=48V$ . Top Trace:  $V_{out}$ , 5V/div; Bottom Trace: ON/OFF input, 5V/div



**Figure 5:** Turn-on transient at zero load current (10ms/div).  $V_{in}=48V$ . Top Trace:  $V_{out}$ , 5V/div; Bottom Trace: ON/OFF input, 5V/div

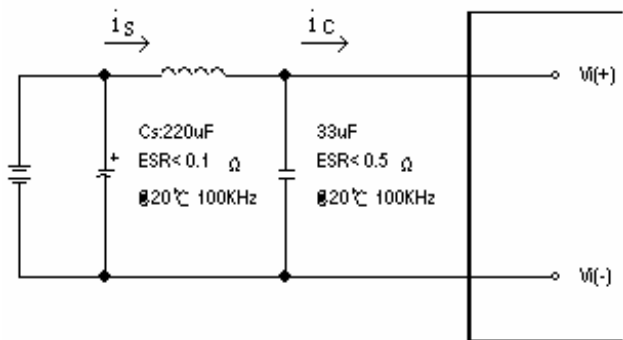
## ELECTRICAL CHARACTERISTICS CURVES



**Figure 6:** Output voltage response to step-change in load current (50%-25%-50% of  $I_o$ , max;  $di/dt = 0.1A/\mu s$ ). Load cap:  $10\mu F$ , tantalum capacitor and  $1\mu F$  ceramic capacitor. Top Trace:  $V_{out}$  (200mV/div, 500us/div), Bottom Trace:  $I_{out}$  (2A/div). Scope measurement should be made using a BNC cable (length shorter than 20 inches). Position the load between 51 mm to 76 mm (2 inches to 3 inches) from the module



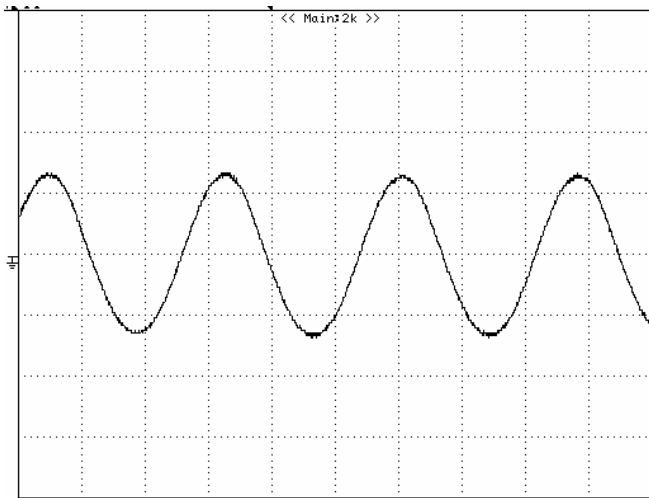
**Figure 7:** Output voltage response to step-change in load current (50%-25%-50% of  $I_o$ , max;  $di/dt = 2.5A/\mu s$ ). Load cap:  $10\mu F$ , tantalum capacitor and  $1\mu F$  ceramic capacitor. Top Trace:  $V_{out}$  (200mV/div, 500us/div), Bottom Trace:  $I_{out}$  (2A/div). Scope measurement should be made using a BNC cable (length shorter than 20 inches). Position the load between 51 mm to 76 mm (2 inches to 3 inches) from the module



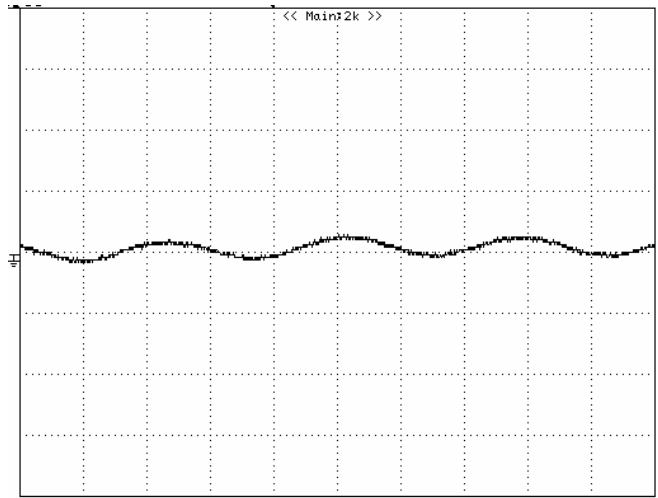
**Figure 8:** Test set-up diagram showing measurement points for Input Terminal Ripple Current and Input Reflected Ripple Current.

Note: Measured input reflected-ripple current with a simulated source Inductance ( $L_{TEST}$ ) of  $12\mu H$ . Capacitor  $C_s$  offset possible battery impedance. Measure current as shown above

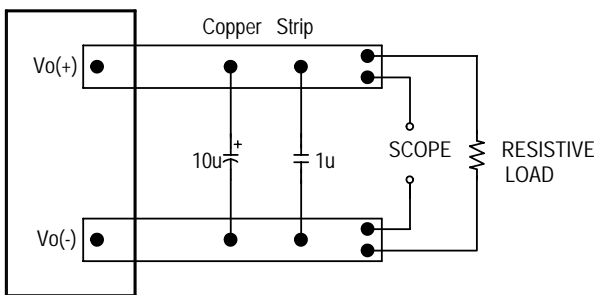
## ELECTRICAL CHARACTERISTICS CURVES



**Figure 9:** Input Terminal Ripple Current,  $i_c$ , at full rated output current and nominal input voltage with  $12\mu\text{H}$  source impedance and  $33\mu\text{F}$  electrolytic capacitor (100mA/div, 1us/div)

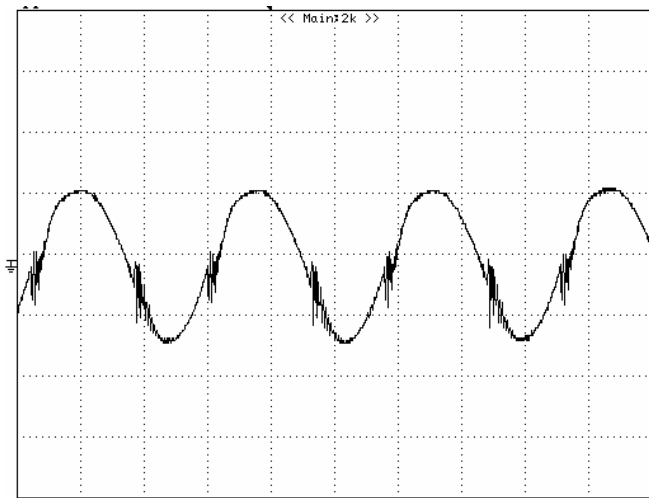


**Figure 10:** Input reflected ripple current,  $i_s$ , through a  $12\mu\text{H}$  source inductor at nominal input voltage and rated load current (20mA/div, 1us/div)

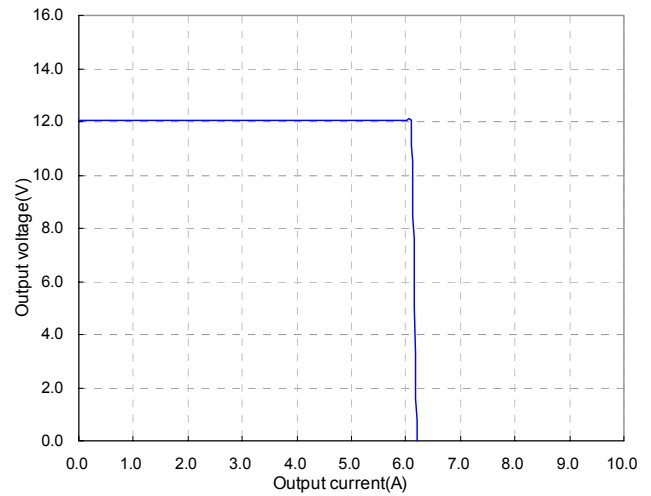


**Figure 11:** Output voltage noise and ripple measurement test setup

## ELECTRICAL CHARACTERISTICS CURVES



**Figure 12:** Output voltage ripple at nominal input voltage and rated load current ( $I_o=5A$ )(20mV/div, 1us/div)  
Load capacitance: 1 $\mu$ F ceramic capacitor and 10 $\mu$ F tantalum capacitor. Bandwidth: 20 MHz. Scope measurements should be made using a BNC cable (length shorter than 20 inches). Position the load between 51 mm to 76 mm (2 inches to 3 inches) from the module



**Figure 13:** Output voltage vs. load current showing typical current limit curves and converter shutdown points



## DESIGN CONSIDERATIONS

### Input Source Impedance

The impedance of the input source connecting to the DC/DC power modules will interact with the modules and affect the stability. A low ac-impedance input source is recommended. If the source inductance is more than a few  $\mu\text{H}$ , we advise adding a 10 to 100  $\mu\text{F}$  electrolytic capacitor ( $\text{ESR} < 0.7 \Omega$  at 100 kHz) mounted close to the input of the module to improve the stability.

### Layout and EMC Considerations

Delta's DC/DC power modules are designed to operate in a wide variety of systems and applications. For design assistance with EMC compliance and related PWB layout issues, please contact Delta's technical support team. An external input filter module is available for easier EMC compliance design. Application notes to assist designers in addressing these issues are pending release.

### Safety Considerations

The power module must be installed in compliance with the spacing and separation requirements of the end-user's safety agency standard, i.e., UL60950-1, CSA C22.2 NO. 60950-1 2nd and IEC 60950-1 2nd : 2005 and EN 60950-1 2nd: 2006+A11+A1: 2010, if the system in which the power module is to be used must meet safety agency requirements.

Basic insulation based on 75 Vdc input is provided between the input and output of the module for the purpose of applying insulation requirements when the input to this DC-to-DC converter is identified as TNV-2 or SELV. An additional evaluation is needed if the source is other than TNV-2 or SELV.

When the input source is SELV circuit, the power module meets SELV (safety extra-low voltage) requirements. If the input source is a hazardous voltage which is greater than 60 Vdc and less than or equal to 75 Vdc, for the module's output to meet SELV requirements, all of the following must be met:

- The input source must be insulated from the ac mains by reinforced or double insulation.
- The input terminals of the module are not operator accessible.
- A SELV reliability test is conducted on the system where the module is used, in combination with the module, to ensure that under a single fault, hazardous voltage does not appear at the module's output.

When installed into a Class II equipment (without grounding), spacing consideration should be given to the end-use installation, as the spacing between the module and mounting surface have not been evaluated.

The power module has extra-low voltage (ELV) outputs when all inputs are ELV.

This power module is not internally fused. To achieve optimum safety and system protection, an input line fuse is highly recommended. The safety agencies require a fuse with 10A maximum rating to be installed in the ungrounded lead. A lower rated fuse can be used based on the maximum inrush transient energy and maximum input current.

### Soldering and Cleaning Considerations

Post solder cleaning is usually the final board assembly process before the board or system undergoes electrical testing. Inadequate cleaning and/or drying may lower the reliability of a power module and severely affect the finished circuit board assembly test. Adequate cleaning and/or drying is especially important for un-encapsulated and/or open frame type power modules. For assistance on appropriate soldering and cleaning procedures, please contact Delta's technical support team.



## FEATURES DESCRIPTIONS

### Over-Current Protection

The modules include an internal output over-current protection circuit, which will endure current limiting for an unlimited duration during output overload. If the output current exceeds the OCP set point, the modules will automatically shut down (hiccup mode).

The modules will try to restart after shutdown. If the overload condition still exists, the module will shut down again. This restart trial will continue until the overload condition is corrected.

### Over-Voltage Protection

The modules include an internal output over-voltage protection circuit, which monitors the voltage on the output terminals. If this voltage exceeds the over-voltage set point, the module will shut down (hiccup mode).

The modules will try to restart after shutdown. If the over voltage condition still exists, the module will shut down again. This restart trial will continue until the over voltage condition is corrected.

### Over-Temperature Protection

The over-temperature protection consists of circuitry that provides protection from thermal damage. If the temperature exceeds the over-temperature threshold the module will shut down. The module will restart if the temperature is within specification.

### Remote On/Off

The remote on/off feature on the module can be either negative or positive logic. Negative logic turns the module on during a logic low and off during a logic high. Positive logic turns the modules on during a logic high and off during a logic low.

Remote on/off can be controlled by an external switch between the on/off terminal and the Vi(-) terminal. The switch can be an open collector or open drain.

For negative logic if the remote on/off feature is not used, please short the on/off pin to Vi(-). For positive logic if the remote on/off feature is not used, please leave the on/off pin to floating.

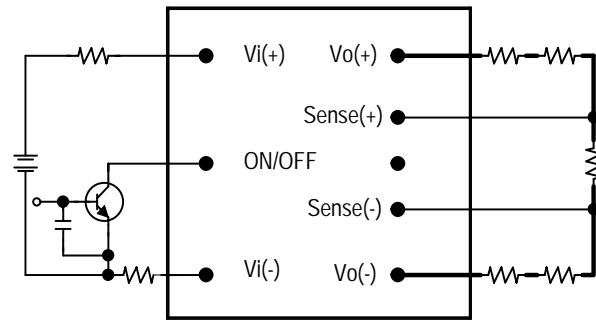


Figure 14: Remote on/off implementation

### Remote Sense

Remote sense compensates for voltage drops on the output by sensing the actual output voltage at the point of load. The voltage between the remote sense pins and the output terminals must not exceed the output voltage sense range given here:

$$[Vo(+)-Vo(-)]-[SENSE(+)-SENSE(-)]\leq 10\% \times V_{out}$$

This limit includes any increase in voltage due to remote sense compensation and output voltage set point adjustment (trim).

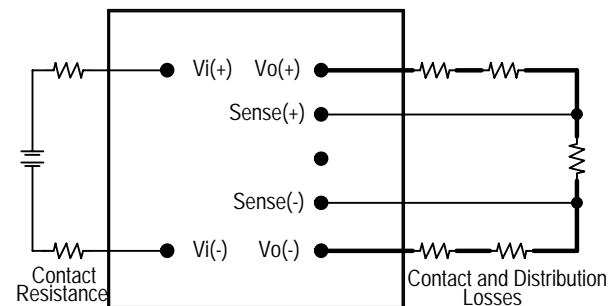


Figure 15: Effective circuit configuration for remote sense operation

If the remote sense feature is not used to regulate the output at the point of load, please connect SENSE(+) to Vo(+) and SENSE(-) to Vo(-) at the module.

The output voltage can be increased by both the remote sense and the trim; however, the maximum increase is the larger of either the remote sense or the trim, not the sum of both.

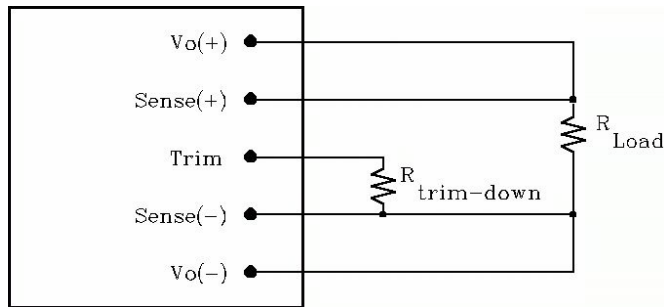
When using remote sense and trim, the output voltage of the module is usually increased, which increases the power output of the module with the same output current.

Care should be taken to ensure that the maximum output power does not exceed the maximum rated power.

## FEATURES DESCRIPTIONS (CON.)

### Output Voltage Adjustment (TRIM)

To increase or decrease the output voltage set point, the modules may be connected with an external resistor between the TRIM pin and either the SENSE(+) or SENSE(-). The TRIM pin should be left open if this feature is not used.



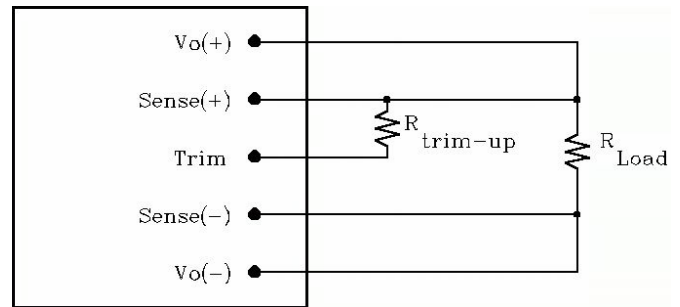
**Figure 16:** Circuit configuration for trim-down (decrease output voltage)

If the external resistor is connected between the TRIM and SENSE (-) pins, the output voltage set point decreases (Fig. 16). The external resistor value required to obtain a percentage of output voltage change % is defined as:

$$R_{trim-down} = \frac{511}{\Delta} - 10.2 (K\Omega)$$

Ex. When Trim-down -20% (12V × 0.8 = 9.6V)

$$R_{trim-down} = \frac{511}{20} - 10.2 = 15.4 (K\Omega)$$



**Figure 17:** Circuit configuration for trim-up (increase output voltage)

If the external resistor is connected between the TRIM and SENSE (+) the output voltage set point increases (Fig. 17). The external resistor value required to obtain a percentage output voltage change % is defined as:

$$R_{trim-up} = \frac{5.11 V_o (100 + \Delta)}{1.225 \Delta} - \frac{511}{\Delta} - 10.2 (K\Omega)$$

Ex. When Trim-up +10% (12V × 1.1 = 13.2V)

$$R_{trim-up} = \frac{5.11 \times 12 \times (100 + 10)}{1.225 \times 10} - \frac{511}{10} - 10.2 = 489.329 (K\Omega)$$

The output voltage can be increased by both the remote sense and the trim, however the maximum increase is the larger of either the remote sense or the trim, not the sum of both.

When using remote sense and trim, the output voltage of the module is usually increased, which increases the power output of the module with the same output current.

Care should be taken to ensure that the maximum output power of the module remains at or below the maximum rated power.

## THERMAL CONSIDERATIONS

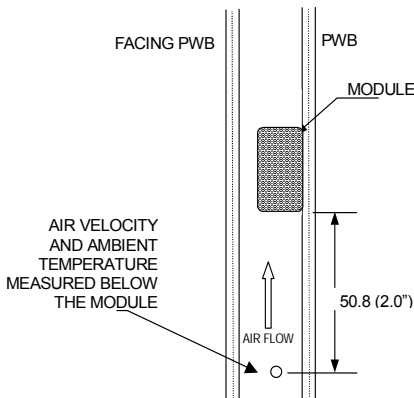
Thermal management is an important part of the system design. To ensure proper, reliable operation, sufficient cooling of the power module is needed over the entire temperature range of the module. Convection cooling is usually the dominant mode of heat transfer.

Hence, the choice of equipment to characterize the thermal performance of the power module is a wind tunnel.

### Thermal Testing Setup

Delta's DC/DC power modules are characterized in heated vertical wind tunnels that simulate the thermal environments encountered in most electronics equipment. This type of equipment commonly uses vertically mounted circuit cards in cabinet racks in which the power modules are mounted.

The following figure shows the wind tunnel characterization setup. The power module is mounted on a test PWB and is vertically positioned within the wind tunnel. The space between the neighboring PWB and the top of the power module is constantly kept at 6.35mm (0.25").



Note: Wind Tunnel Test Setup Figure Dimensions are in millimeters and (Inches)

Figure 18: Wind tunnel test setup

### Thermal Derating

Heat can be removed by increasing airflow over the module. To enhance system reliability; the power module should always be operated below the maximum operating temperature. If the temperature exceeds the maximum module temperature, reliability of the unit may be affected.

## THERMAL CURVES

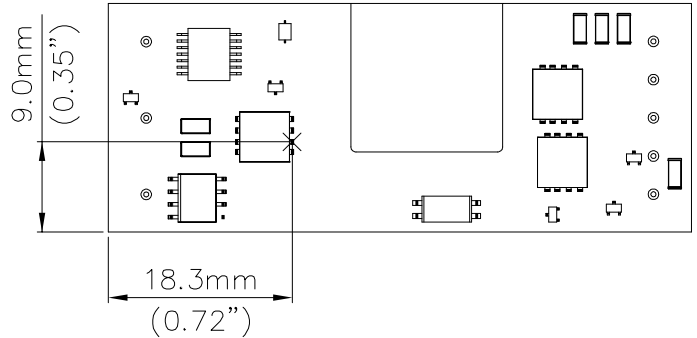


Figure 19: Hot spot temperature measured point.

\*The allowed maximum hot spot temperature is defined at 117

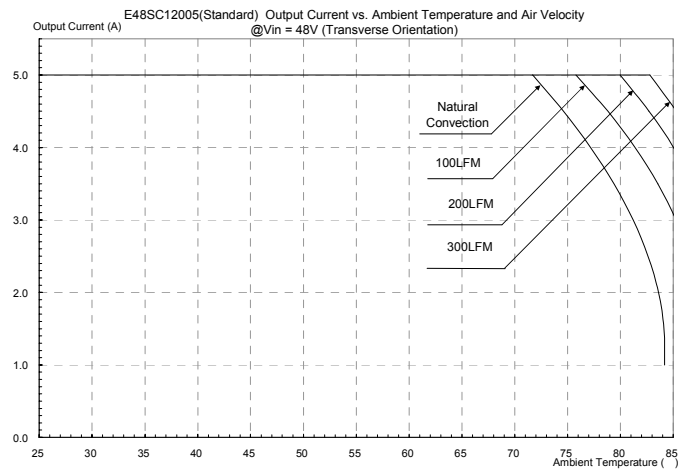
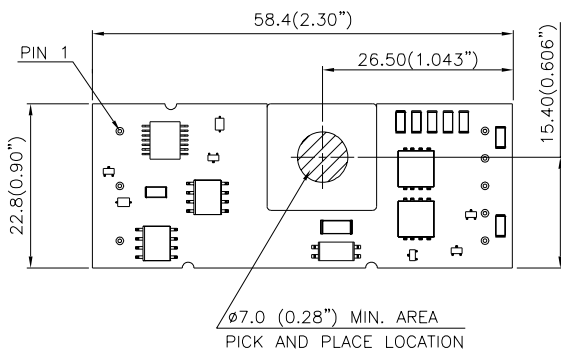


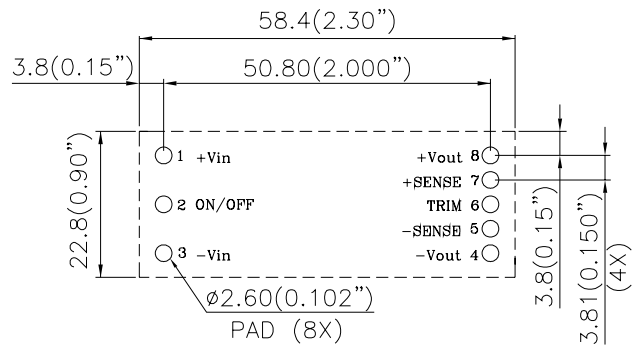
Figure 20: Output current vs. ambient temperature and air velocity @  $V_{in}=48V$ (Transverse Orientation)

## PICK AND PLACE LOCATION



NOTES:  
 DIMENSIONS ARE IN MILLIMETERS AND (INCHES)  
 TOLERANCES: X.Xmm±0.5mm(X.XX in.±0.02 in.)  
 X.XXmm±0.25mm(X.XXX in.±0.010 in.)

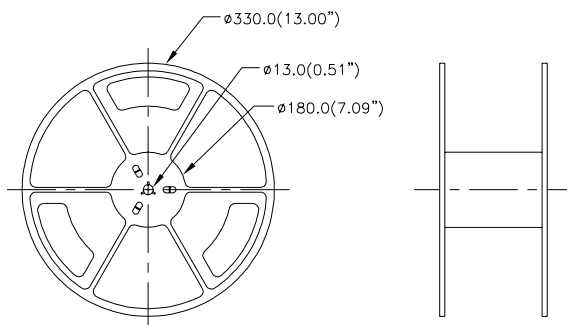
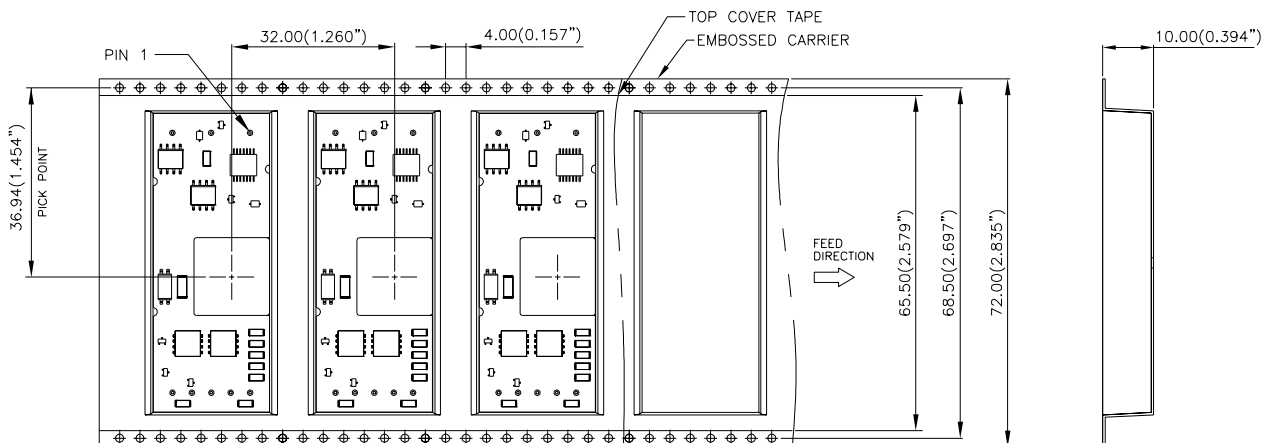
## RECOMMENDED PAD LAYOUT (SMD)



RECOMENDED P.W.B. PAD LAYOUT

NOTES:  
 DIMENSIONS ARE IN MILLIMETERS AND (INCHES)  
 TOLERANCES: X.Xmm±0.5mm(X.XX in.±0.02 in.)  
 X.XXmm±0.25mm(X.XXX in.±0.010 in.)

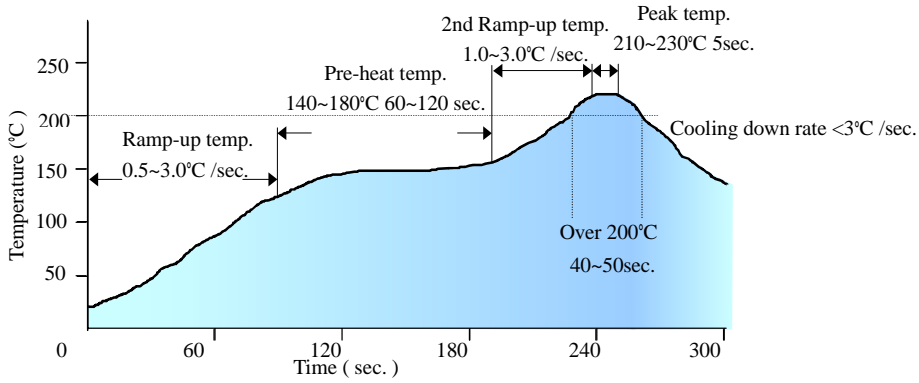
## SURFACE-MOUNT TAPE & REEL



NOTES:  
 CONFORMS TO EIA-481 SATNDARD  
 MODULES ARE SHIPPED IN QUANTITIES OF 100 PER REEL.  
 ALL DIMENSIONS ARE IN MILLIMETERS AND (INCHES)  
 TOLERANCES: X.Xmm±0.5mm(X.XX in.±0.02 in.)  
 X.XXmm±0.25mm(X.XXX in.±0.010 in.)

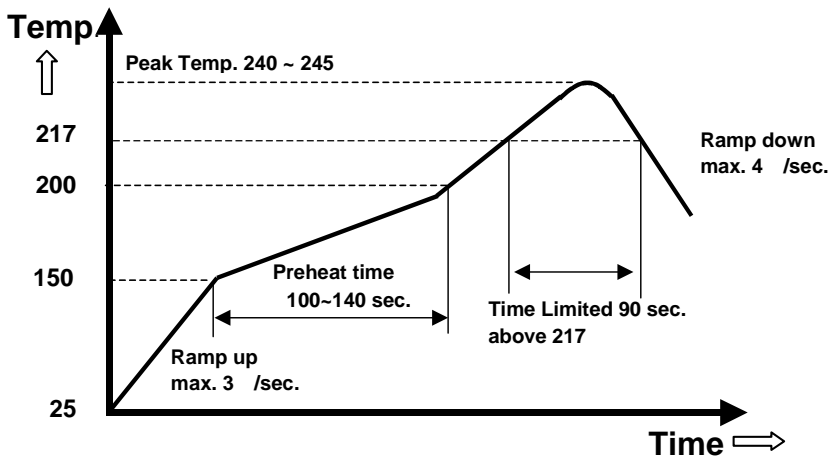


## LEADED (Sn/Pb) PROCESS RECOMMEND TEMPERATURE PROFILE



*Note: The temperature refers to the pin of E48SC, measured on the pin +Vout joint.*

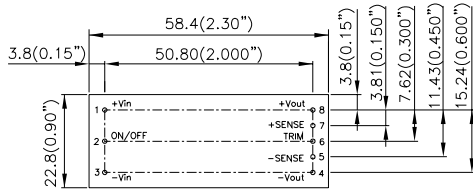
## LEAD FREE (SAC) PROCESS RECOMMEND TEMPERATURE PROFILE



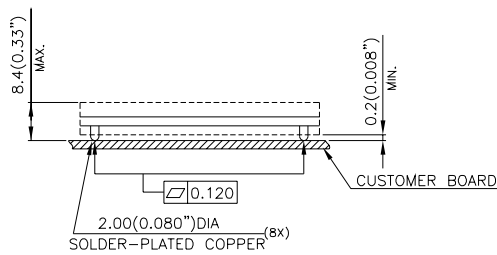
*Note: The temperature refers to the pin of E48SC, measured on the pin +Vout joint.*

# MECHANICAL DRAWING

## Surface-mount module

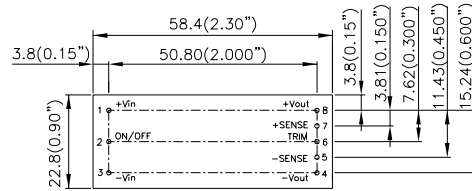


TOP VIEW

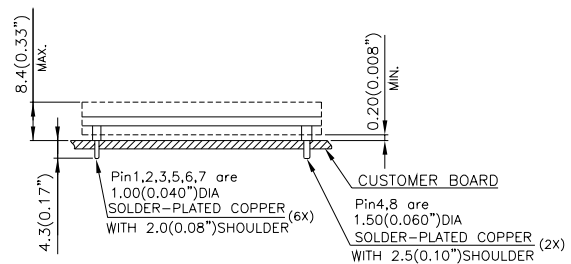


SIDE VIEW

## Through-hole module



TOP VIEW



SIDE VIEW

NOTES:  
 DIMENSIONS ARE IN MILLIMETERS AND (INCHES)  
 TOLERANCES: X.Xmm±0.5mm(X.XX in,±0.02 in.)  
 X.XXmm±0.25mm(X.XXX in,±0.010 in.)

| Pin No. | Name   | Function                |
|---------|--------|-------------------------|
| 1       | +Vin   | Positive input voltage  |
| 2       | ON/OFF | Remote ON/OFF           |
| 3       | -Vin   | Negative input voltage  |
| 4       | -Vout  | Negative output voltage |
| 5       | -SENSE | Negative remote sense   |
| 6       | TRIM   | Output voltage trim     |
| 7       | +SENSE | Positive remote sense   |
| 8       | +Vout  | Positive output voltage |

### Pin Specification:

Pins 1-3,5-7 1.00mm (0.040") diameter  
 Pins 4 & 8 1.50mm (0.059") diameter  
 All pins are copper with tin plated

## PART NUMBERING SYSTEM

| E               | 48            | S                 | C                        | 120            | 05             | N                            | R                                       | F   | A                     |
|-----------------|---------------|-------------------|--------------------------|----------------|----------------|------------------------------|---|---|-----------------------|
| Type of Product | Input Voltage | Number of Outputs | Product Series           | Output Voltage | Output Current | ON/OFF Logic                 | Pin Length/Type                         |   | Option Code           |
| E- Eighth Brick | 48 - 36~75V   | S- Single         | C- Improved E48SR series | 120 - 12V      | 05 -5A         | N - Negative<br>P - Positive | R - 0.170"<br>N - 0.145"<br>M - SMD pin | F- RoHS 6/6<br>(Lead Free)<br>Space -<br>RoHS 5/6 | A- Standard Functions |

## MODEL LIST

| MODEL NAME     | INPUT    |      | OUTPUT |    | EFF @ 100% LOAD |
|----------------|----------|------|--------|----|-----------------|
| E48SC12005NNFA | 36V -75V | 2.2A | 12V    | 5A | 92%             |
| E48SC12005NRFA | 36V -75V | 2.2A | 12V    | 5A | 92%             |

Default remote on/off logic is negative and pin length is 0.145"

For different remote on/off logic and pin length, please refer to part numbering system above or contact your local sales office.

### CONTACT: [www.delta.com.tw/dcdc](http://www.delta.com.tw/dcdc)

#### USA:

Telephone:  
East Coast: (888) 335 8201  
West Coast: (888) 335 8208  
Fax: (978) 656 3964  
Email: [DCDC@delta-corp.com](mailto:DCDC@delta-corp.com)

#### Europe:

Telephone: +41 31 998 53 11  
Fax: +41 31 998 53 53  
Email: [DCDC@delta-es.tw](mailto:DCDC@delta-es.tw)

#### Asia & the rest of world:

Telephone: +886 3 4526107  
Ext.6220~6224  
Fax: +886 3 4513485  
Email: [DCDC@delta.com.tw](mailto:DCDC@delta.com.tw)

## WARRANTY

Delta offers a two (2) year limited warranty. Complete warranty information is listed on our web site or is available upon request from Delta.

Information furnished by Delta is believed to be accurate and reliable. However, no responsibility is assumed by Delta for its use, nor for any infringements of patents or other rights of third parties, which may result from its use. No license is granted by implication or otherwise under any patent or patent rights of Delta. Delta reserves the right to revise these specifications at any time, without notice.