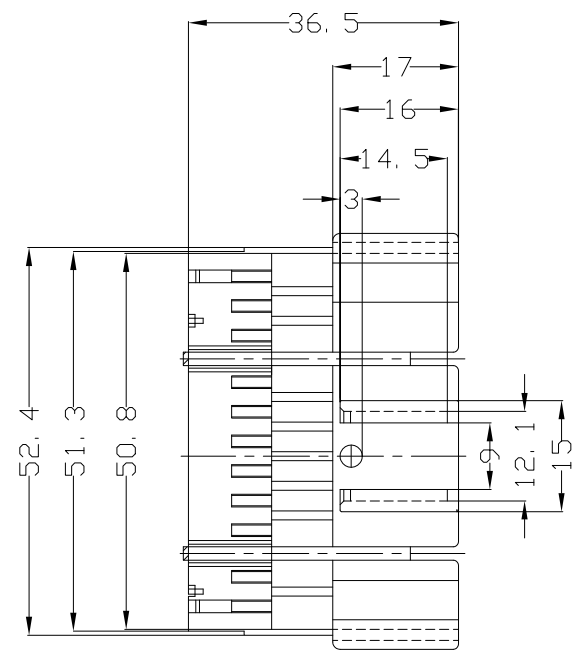
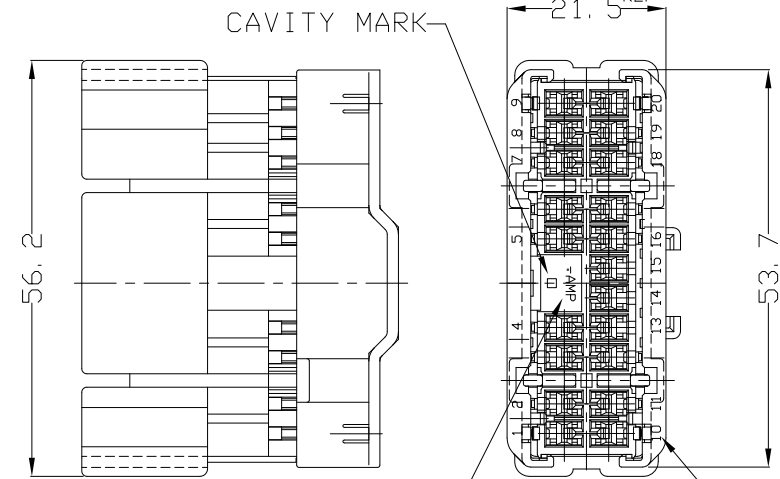
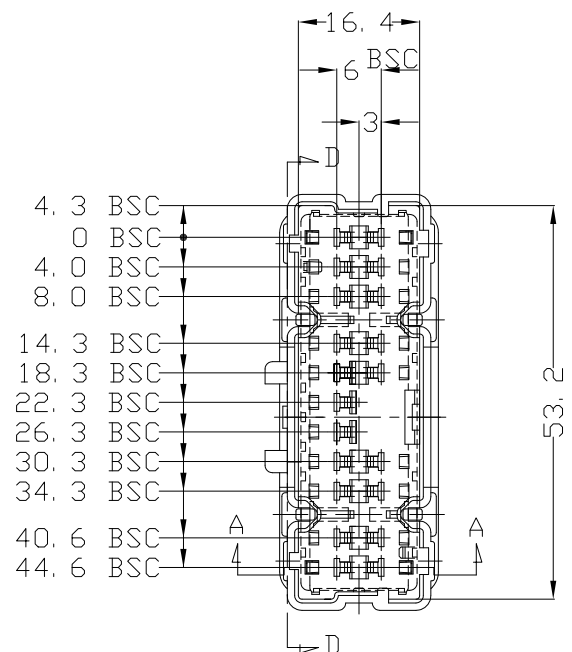


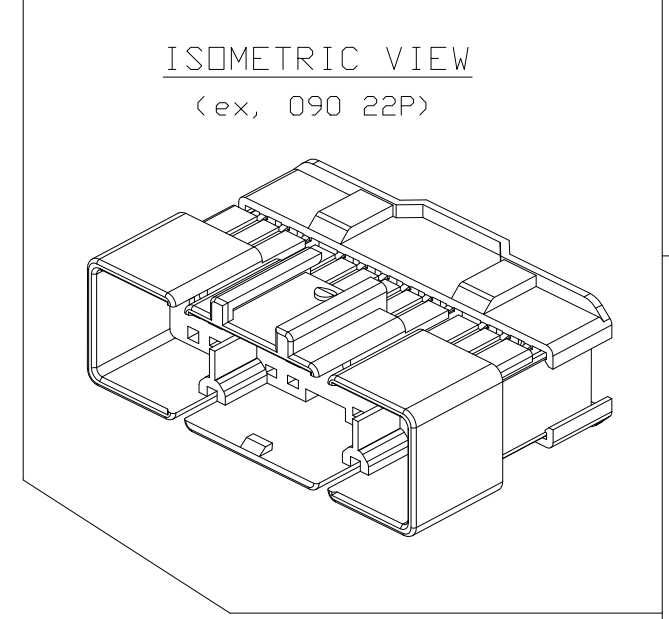
LOC	DIST	REVISIONS					
		P	LTR	DESCRIPTION	DATE	DWN	APVD
DS	-	C		REVISED ECN (FC00-0048-99)	27.APR.'99	JW	CS
		C1		REVISED (ECR-08-030171)	05.DEC.'08	KT	HG



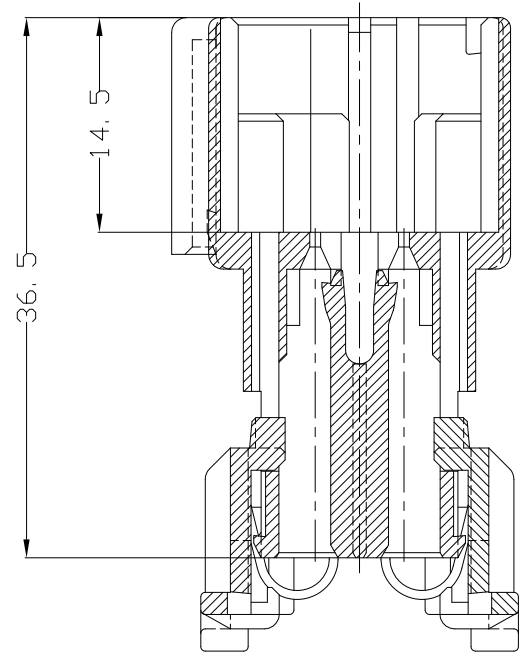
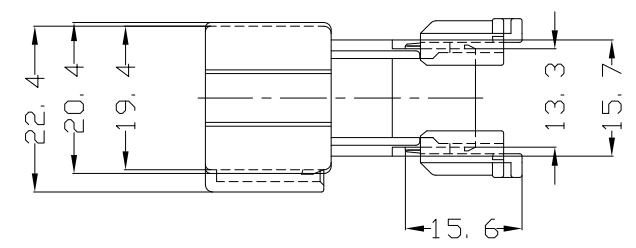
SECTION D-D



CAVITY MARK
TRADE MARK
CIRCUIT NO.



ISOMETRIC VIEW
(ex, 090 22P)



SECTION A-A
(SCALE : 2-1)

- NOTE.
1. TO BE MATED WITH PLUG HSG SMOOTHLY.
 2. APPLIED CONTACT P/N ; 368086/368087/368088
 3. APPLIED PLUG HSG P/N ; 1-368188-1

BLACK	PBT	2-368187-1
NATURAL	PBT	1-368187-1
COLOR	MATERIAL	P/N

THIS DRAWING IS A CONTROLLED DOCUMENT FOR TYCO ELECTRONICS CORPORATION IT IS SUBJECT TO CHANGE AND THE CONTROLLING ENGINEERING ORGANIZATION SHOULD BE CONTACTED FOR THE LATEST REVISION.		DWN KT JUNG	AMP KOREA. Kyungsan, Korea	
DIMENSIONS: MM		CHK JW JUNG		
TOLERANCES UNLESS OTHERWISE SPECIFIED: 0 <XX<10 ± 0.2 10<XX<30 ± 0.25 30<XX ± 0.3 ANGLES ± 3°		APVD HG CHD	NAME .090 MLC 20P CAP HSG	
MATERIAL SEE TABLE		PRODUCT SPEC -	RESTRICTED TO -	
FINISH		APPLICATION SPEC -	SIZE A3	CAGE CODE 00779
		WEIGHT -	DRAWING NO C-368187	REV C1
		CUSTOMER DRAWING		SCALE 1/1 SHEET 1 OF 1