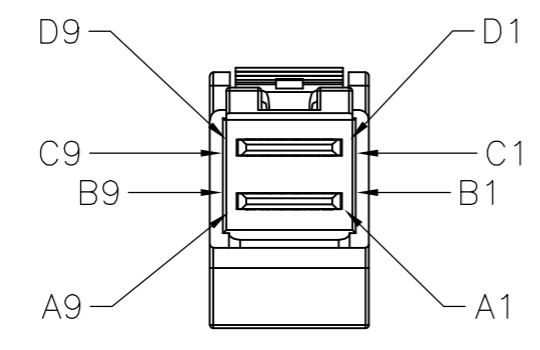
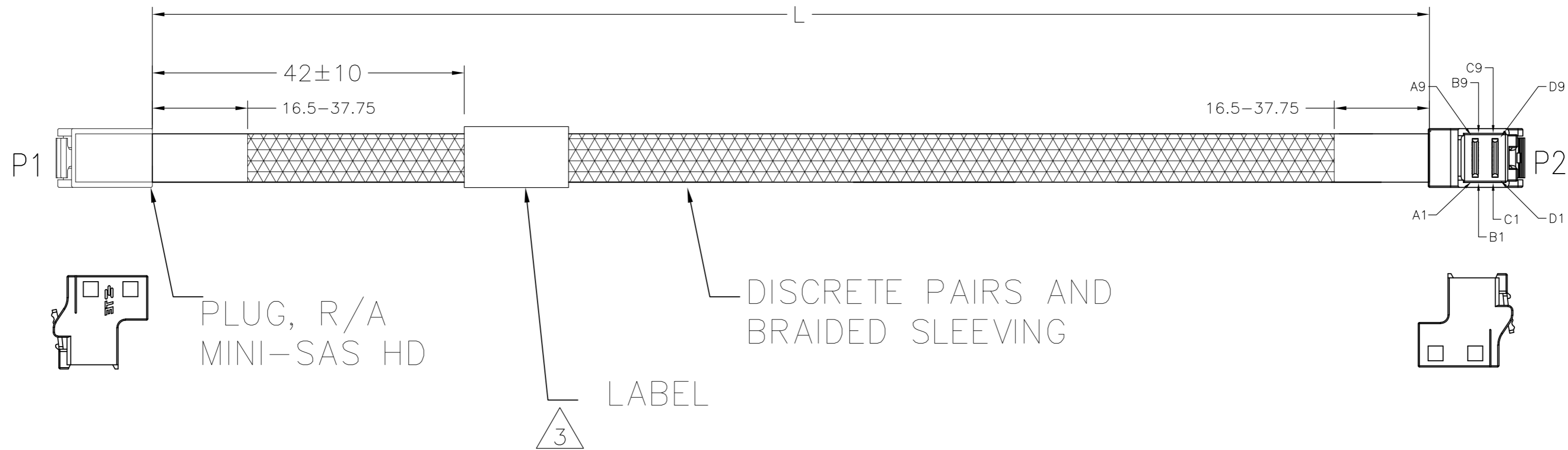


THIS DRAWING IS UNPUBLISHED. RELEASED FOR PUBLICATION
 © COPYRIGHT - By - ALL RIGHTS RESERVED.

REVISIONS				
P	LTR	DESCRIPTION	DATE	APVD
B		CHANGES PER ECO-17-000306	09JAN2017	GF

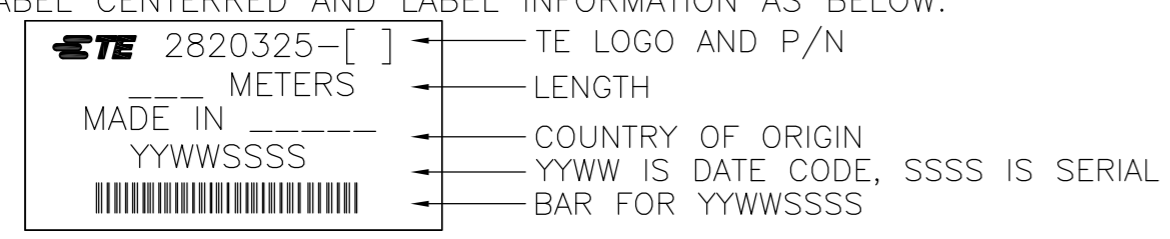


CONNECTOR FACE
-LATCH UP

1. ASSEMBLY TO BE 100% TESTED FOR CONTINUITY, SHORTS, AND OPENS, CABLES ASSEMBLYS ARE ALSO TO BE 100% TESTED FOR SIGNAL INTEGRITY, TO SAS 3.0 REQUIREMENTS.

2. ROHS AND REACH COMPLIANCE: PRODUCT AND PROCESSING MEETS REQUIREMENTS OF TE SPECIFICATION TEC-138-702.

3 LABEL CENTERED AND LABEL INFORMATION AS BELOW:



4. SEE SHEET #2 FOR WIRING SCHEMATIC.

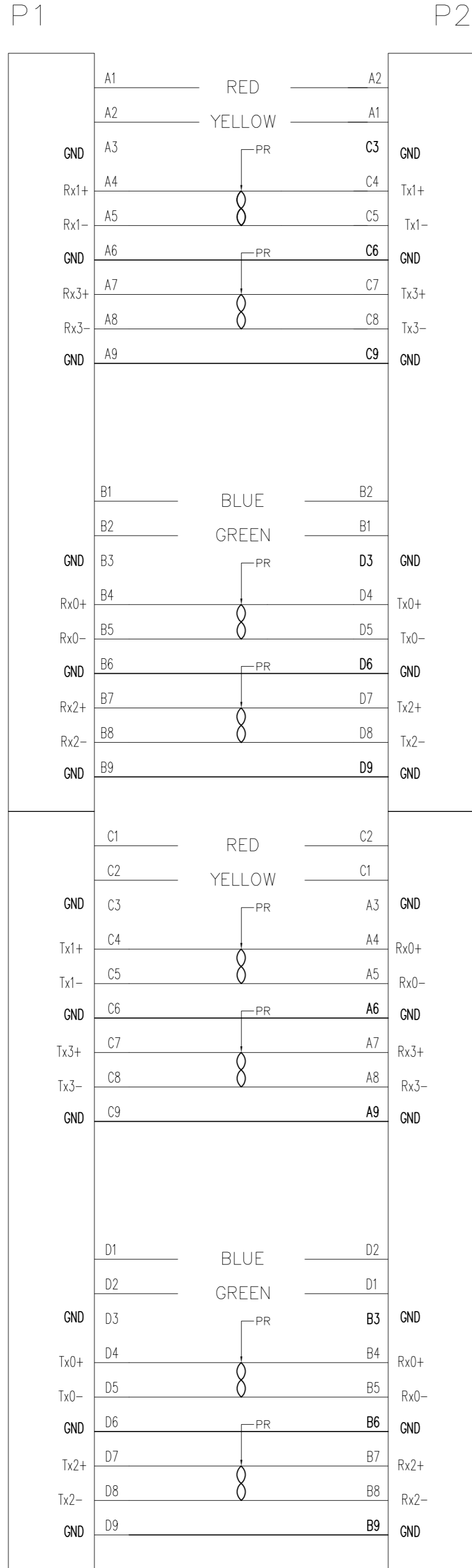
1000	+25 -0	2820325-4
700	+25 -0	2820325-3
500	+25 -0	2820325-2
300	+25 -0	2820325-1
"L"[MM]		TE P/N

THIS DRAWING IS A CONTROLLED DOCUMENT.		DWN	16/JUN/2014	TE Connectivity
		M.YI		
		CHK	16/JUN/2014	
		G.GUTGOLD		
		APVD	16/JUN/2014	NAME
		G.GUTGOLD		C/A, INTERNAL HD MINI SAS, R/A TO R/A
		PRODUCT SPEC		85 OHMS, 4X
		APPLICATION SPEC		
		WEIGHT	0	SIZE
		CUSTOMER DRAWING		A2
		CAGE CODE	00779	DRAWING NO
		SCALE	N.T.S.	C=2820325
		SHEET	1 of 2	RESTRICTED TO
		REV	B	

2820325

THIS DRAWING IS UNPUBLISHED. RELEASED FOR PUBLICATION
 © COPYRIGHT - By - ALL RIGHTS RESERVED.

REVISIONS				
P	LTR	DESCRIPTION	DATE	APVD
-	-	SEE SHEET 1	-	-



WIRING PATTERN

THIS DRAWING IS A CONTROLLED DOCUMENT.		DWN M.YI 16/JUN/2014	TE Connectivity	
DIMENSIONS: mm		CHK G.GUTGOLD 16/JUN/2014		
TOLERANCES UNLESS OTHERWISE SPECIFIED:		APVD G.GUTGOLD 16/JUN/2014	NAME C/A, INTERNAL HD MINI SAS, R/A TO R/A 100 OHMS, 4X	
		PRODUCT SPEC -	SIZE A2	
MATERIAL -		APPLICATION SPEC -	CAGE CODE 00779	DRAWING NO C=2820325
FINISH -		WEIGHT -	RESTRICTED TO -	SCALE N.T.S.
CUSTOMER DRAWING			SHEET 2 of 2	REV B

2820328