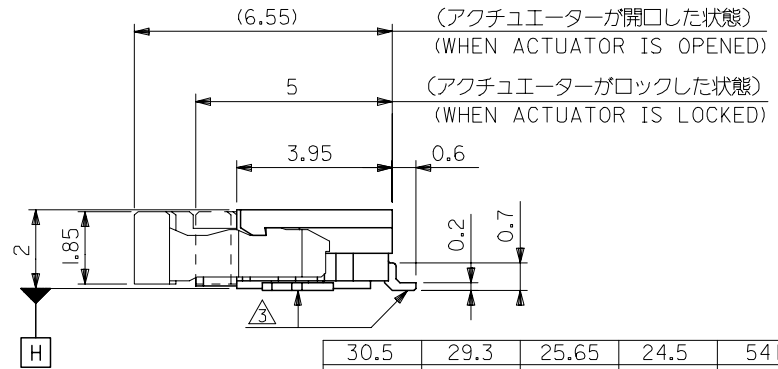
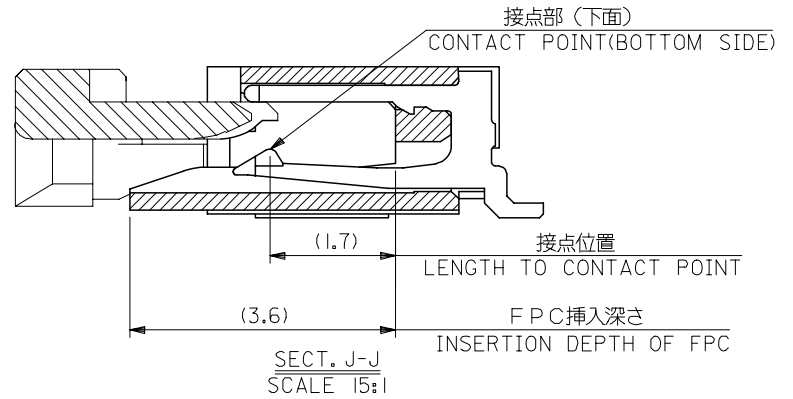
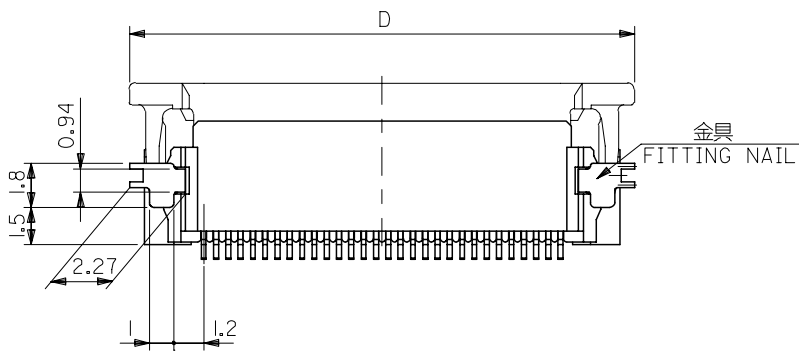
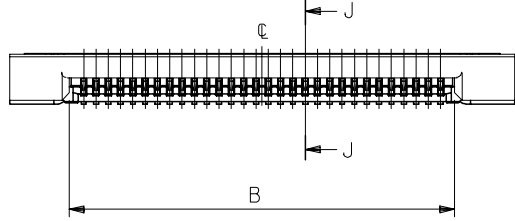
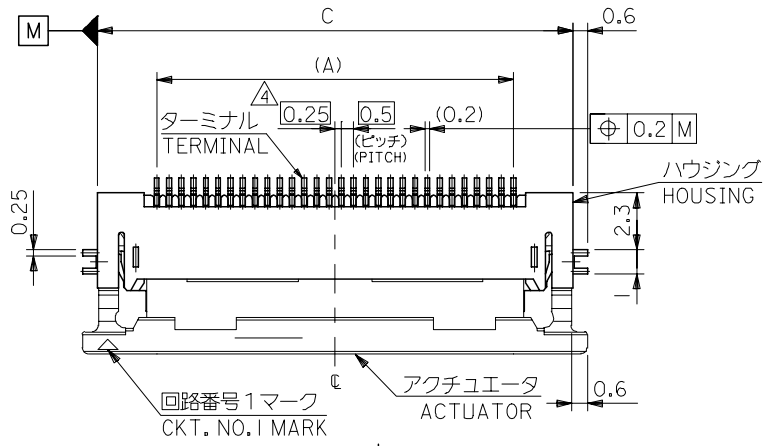
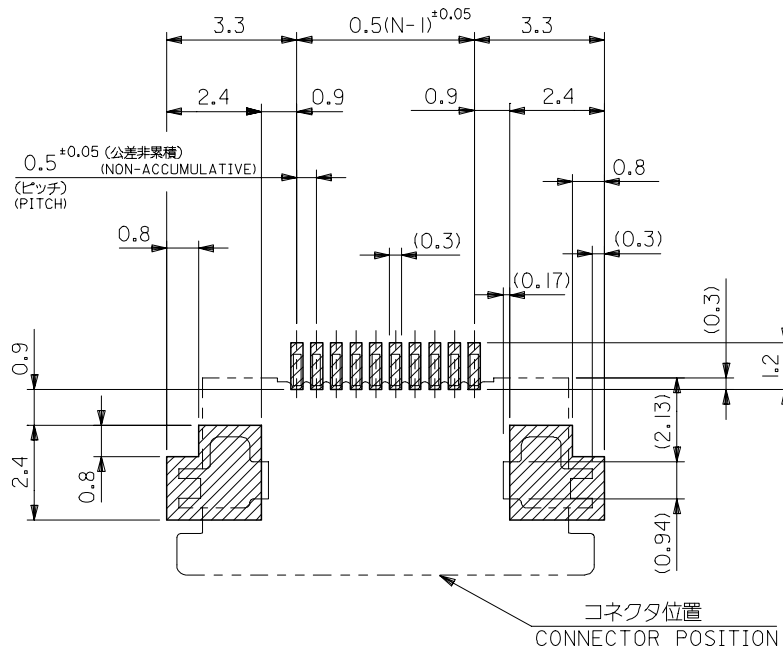


10 9 8 7 6 5 4 3 2 1

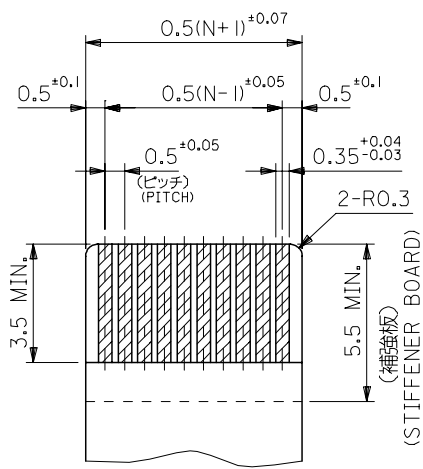


30.5	29.3	25.65	24.5	54132-5031	50
28.0	26.8	23.15	22.0	-4531	45
27.0	25.8	22.15	21.0	-4331	43
25.5	24.3	20.65	19.5	-4031	40
24.5	23.3	19.65	18.5	-3831	38
23.5	22.3	18.65	17.5	-3631	36
23.0	21.8	18.15	17.0	-3531	35
22.5	21.3	17.65	16.5	-3431	34
22.0	20.8	17.15	16.0	-3331	33
21.5	20.3	16.65	15.5	-3231	32
20.5	19.3	15.65	14.5	54132-3031	30
D	C	B	A	MATERIAL NO.	CKT.

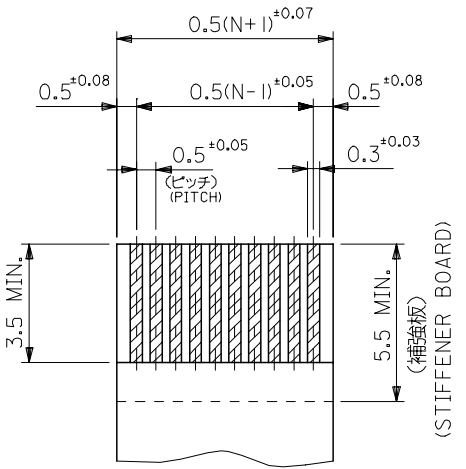
REVISED EC NO: J2006-2797 DRWN: NABE 2006/03/07 CHKD: KTOYODA 2006/03/10 APPR: NUKITA 2006/03/17 A	GENERAL TOLERANCES (UNLESS SPECIFIED)		DIMENSION STYLE MM ONLY		SCALE ---	DESIGN UNITS METRIC	THIRD ANGLE PROJECTION	
	10 UNDER ± 0.2	10 OVER 30 UNDER ± 0.25	30 OVER ± 0.3	ANGULAR ± 3 °	DRAFT WHERE APPLICABLE MUST REMAIN WITHIN DIMENSIONS	DRAWN BY K. KOHAMA	DATE '00/09/13	TITLE 0.5 FPC CONN. ZIF HOUSING ASSY FOR SMT. (R/A)BOTTOM CONTACT
	CHECKED BY S. KUNISHI		DATE '00/09/13		APPROVED BY M. FUKUSHIMA		DATE '00/09/13	
	MATERIAL NO. SEE CHART		DOCUMENT NO. SD-54132-011		SHEET NO. 1 OF 2		MOLEX INCORPORATED	
	THIS DRAWING CONTAINS INFORMATION THAT IS PROPRIETARY TO MOLEX INCORPORATED AND SHOULD NOT BE USED WITHOUT WRITTEN PERMISSION							



参考基板レイアウト
RECOMMENDED PC BOARD PATTERN DIMENSION(REF.)
(マウント面)
(MOUNTING SIDE)



適合FPC推奨寸法
APPLICABLE FPC RECOMMENDED DIMENSION
(仕上がり厚さ: 0.3^{+0.03})
(THICKNESS: 0.3^{+0.03})



適合FFC推奨寸法
APPLICABLE FFC RECOMMENDED DIMENSION
(仕上がり厚さ: 0.3^{+0.03})
(THICKNESS: 0.3^{+0.03})

注記
NOTES

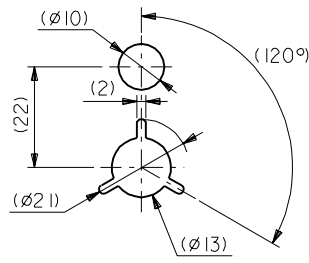
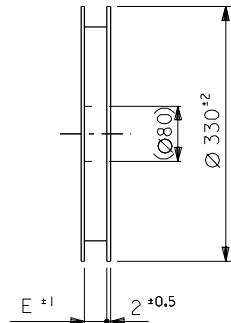
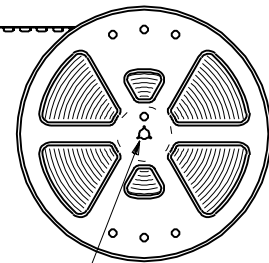
1. 使用材料
MATERIAL
ハウジング
HOUSING : 46ナイロン, UL94V-0
: 46NYLON
アクチュエーター
ACTUATOR : PPS, UL94V-0
: PPS
ターミナル
TERMINAL : リン青銅, 半田メッキ (t=0.2)
: PHOS-BRO, TIN-LEAD PLATED
金具
FITTING NAIL : リン青銅, 半田メッキ (t=0.2)
: PHOS-BRO, TIN-LEAD PLATED
2. インボスステップ梱包時は、アクチュエーターがロックした状態とする。
IN THE PACKAGE, ACTUATOR OF PART NO.54132-**31 SHOULD BE LOCKED.
- △ ソルダータール半田付け面のズレ量、及び金具半田付け面のズレ量は、基準面 田 に対し上方向0.1MAX. 下方向0.15MAX. とする。
MISALIGNMENT OF SOLDER TAILS AND FITTING NAIL FROM 田 UPPER DIRECTION: 0.1 MAX., LOWER DIRECTION: 0.15 MAX.
- △ 偶数極に適用
APPLY FOR EVEN CIRCUIT.
- △ パターンはくり止め用金具
FITTING NAIL FOR PREVENTION OF PEELING OF P.C.B. PATTERN.

FPC/FFCについて

打抜き方向は導体側から補強板側を推奨いたします。
導体部については軟銅箔35マイクロメートルまたは50マイクロメートルメッキ厚 3~9マイクロメートル鍍または半田メッキ (電気メッキ)
RECOMMENDED PUNCHER DIRECTION:
FROM CONDUCTOR SIDE TO STIFFENER BOARD SIDE.
RECOMMENDED CONDUCTOR SPEC.:
THICKNESS OF SOFT COPPER FOIL:
35 micrometer or 50 micrometer
TIN OR SOLDER PLATING:
3~9 micrometer (ELECTRICAL PLATING)

REVISED EC NO: J2006-2797 DRWN: MABEI 2006/03/07 CHKD: KTOYODA 2006/03/10 APPR: NUKITA 2006/03/17	GENERAL TOLERANCES (UNLESS SPECIFIED)		DIMENSION STYLE MM ONLY		SCALE ---	DESIGN UNITS METRIC	MODEL NO. 54132-**31
	10 UNDER	± 0.2	DRAWN BY K. KOHAMA	DATE '00/09/13	TITLE 0.5 FPC CONN. ZIF HOUSING ASSY FOR SMT. (R/A) BOTTOM CONTACT		
	10 OVER 30 UNDER	± 0.25	CHECKED BY S. KUNISHI	DATE '00/09/13	MATERIAL NO.		
	30 OVER	± 0.3	APPROVED BY M. FUKUSHIMA	DATE '00/09/13	DOCUMENT NO. SD-54132-011		
ANGULAR ± 3 °		DRAFT WHERE APPLICABLE MUST REMAIN WITHIN DIMENSIONS		SIZE A3		SHEET NO. 2 OF 2	

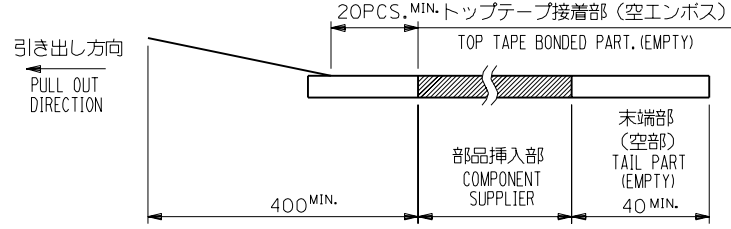
引き出し方向
PULL OUT DIRECTION



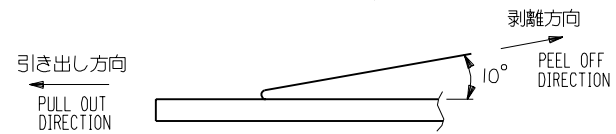
DETAIL "F"

NOTES

- 梱包数量：1500個/リール
NUMBER OF CONNECTORS：1500PCS/REEL
- リードテープ長さ LEAD TAPE LENGTH



- トップテープの剥離強度：0.1N ~ 0.7N(10.2gf ~ 71.4gf)
(剥離方向は下図参照)
尚、本規格値は出荷時に適用。(但し、輸送時に剥離が発生しないこと。)
PEELING OFF FORCE OF TOP TAPE：0.1N ~ 0.7N(10.2gf ~ 71.4gf)
(PEELING DIRECTION AS SHOWN IN FOLLOWING FIG.)
THIS REQUIREMENT SHOULD BE APPLIED AT SHIPMENT.
PEEL OFF SHOULD NOT BE ALLOWED, DURING TRANSPORTATION.

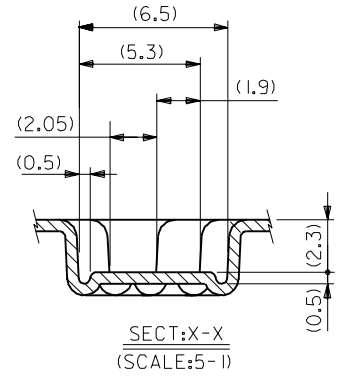
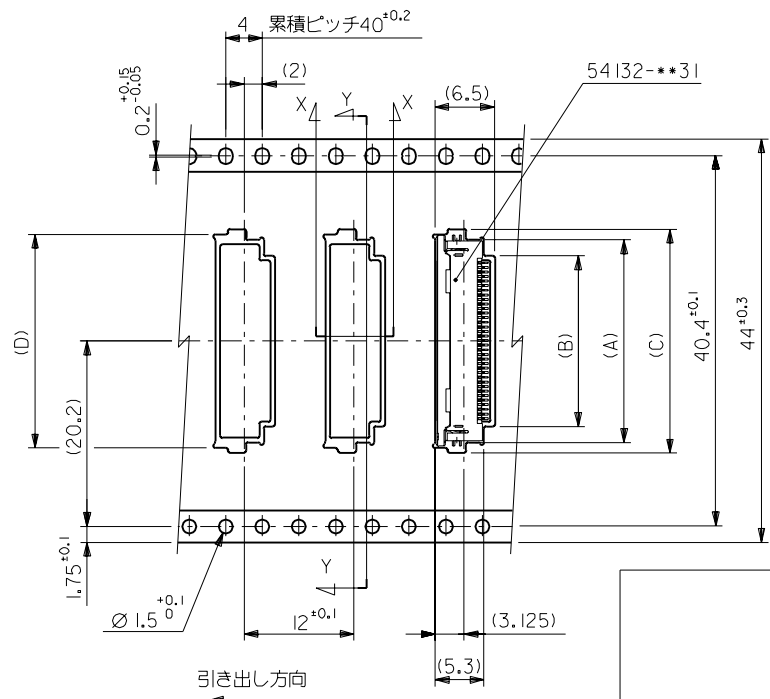
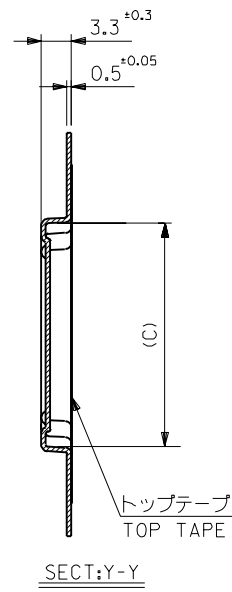


- 材料
キャリアテープ：ポリプロピレン (PP)
トップテープ：PET, PE, PEF
リール：ポリスチレン (PS) <リサイクル材を含む>

MATERIAL CARRIER TAPE:POLYPROPYLENE
TOP TAPE:PET,PE,PEF
REEL:POLYSTYREN(PS)
<RECYCLE MATERIAL CONTAINED>

DO NOT SCALE DRAWING

EC NO. DRWN: CHK: APPR:	EC NO. DRWN: CHK: APPR:	EC NO. DRWN: CHK: APPR:	REVISED	MATERIAL 材料	GENERAL TOLERANCES: (UNLESS SPECIFIED) 一般公差	SCALE 2:1	DESIGN UNITS <input checked="" type="checkbox"/> mm <input type="checkbox"/> INCH	THIRD ANGLE PROJECTION	DIMENSIONS:		SHT	REV				
			EC No. JC200 I-0487						DESCRIPTION	10 UNDER 未満			REVISIONS	<input type="checkbox"/> mm <input type="checkbox"/> INCH	<input checked="" type="checkbox"/> mm ONLY	REVISE ON CAD ONLY
			DRWN: K.KOHAMA '00/02/22							10 OVER 以上				30 UNDER 未満	EMBOSSED TAPE PACKAGE FOR 0.5 FPC CONN. ZIF	
			CHK: S.KUNISHI '00/02/22							30 OVER 以上				ANGLE 角度		
APPR: M.FUKUSHIMA '00/02/22	INS. RANGE 被覆外径	3*	54132012.S01	SD-54132-012												
EC No. JC200 I-0171	RELEASED	SEE NOTES	MATERIAL NO. 54132-***92		DRAWING NO. SD-54132-012		SHEET NO. 1 OF 2									
DRWN: K.KOHAMA '00/09/10	RELEASED	SEE NOTES	MATERIAL NO. 54132-***92		DRAWING NO. SD-54132-012		SHEET NO. 1 OF 2									
CHK: S.KUNISHI '00/09/10	RELEASED	SEE NOTES	MATERIAL NO. 54132-***92		DRAWING NO. SD-54132-012		SHEET NO. 1 OF 2									
APPR: M.FUKUSHIMA '00/09/10	RELEASED	SEE NOTES	MATERIAL NO. 54132-***92		DRAWING NO. SD-54132-012		SHEET NO. 1 OF 2									
THIS DRAWING CONTAINS INFORMATION THAT IS PROPRIETARY TO MOLEX INCORPORATED AND SHOULD NOT BE USED WITHOUT WRITTEN PERMISSION.																



44	45.5	30.8	31.6	26.1	29.6	54132-5092	50	
		28.3	29.4	23.6	27.1	-4592	45	
		27.3	28.4	22.6	26.1	-4392	43	
		25.8	26.9	21.1	24.6	-4092	40	
		24.8	25.9	20.1	23.6	-3892	38	
		23.8	24.9	19.1	22.6	-3692	36	
		23.3	24.4	18.6	22.1	-3592	35	
		22.8	23.9	18.1	21.6	-3492	34	
		22.3	23.4	17.6	21.1	-3392	33	
		21.8	22.9	17.1	20.6	-3292	32	
20.8	21.9	16.1	19.6	54132-3092	30			
キャリアテープ幅 CARRIER TAPE WIDTH		E	D	C	B	A	ENG. NO.	CKT.

EC NO. DRWN: CHK: APPR:	EC NO. DRWN: CHK: APPR:	EC NO. DRWN: CHK: APPR:	REVISED EC No. JC200 I-0487 DRWN: K.KOHAMA '00/02 CHK: S.KUNISHI '00/02 APPR: M.FUKUSHIMA '00/02	RELEASED EC No. JC200 I-0171 DRWN: K.KOHAMA '00/09/0 CHK: S.KUNISHI '00/09/0 APPR: M.FUKUSHIMA '00/09/0	REV DESCRIPTION
					MATERIAL 材料
					SHEET 1 OF 2 参照 REFER TO SHEET 1 OF 2
					FINISH 仕上げ
					WIRE RANGE 通所線幅範囲
					INS. RANGE 被覆外径

GENERAL TOLERANCES: (UNLESS SPECIFIED) 一般公差		SCALE 2:1	DESIGN UNITS <input checked="" type="checkbox"/> mm <input type="checkbox"/> INCH	DIMENSIONS: <input type="checkbox"/> mm <input type="checkbox"/> INCH <input checked="" type="checkbox"/> mm ONLY	SHT	REV
10 UNDER 未満	+0.2	DRAWN BY & DATE K.KOHAMA '00/09/13		THIRD ANGLE PROJECTION	REVISION ON CAD ONLY	TITLE: EMBOSSD TAPE PACKAGE FOR 0.5 FPC CONN. ZIF
10 OVER 以上	+0.25	CHECKED BY & DATE S.KUNISHI '00/12/22				
30 OVER 以上	+0.3	APPROVED BY & DATE M.FUKUSHIMA '00/12/22				
ANGLE 角度	+3°	CAD FILENAME 54132012.S02	MATERIAL NO. 54132-***92	DRAWING NO. SD-54132-012	SHEET NO. 2 OF 2	SIZE B

THIS DRAWING CONTAINS INFORMATION THAT IS PROPRIETARY TO MOLEX INCORPORATED AND SHOULD NOT BE USED WITHOUT WRITTEN PERMISSION.