

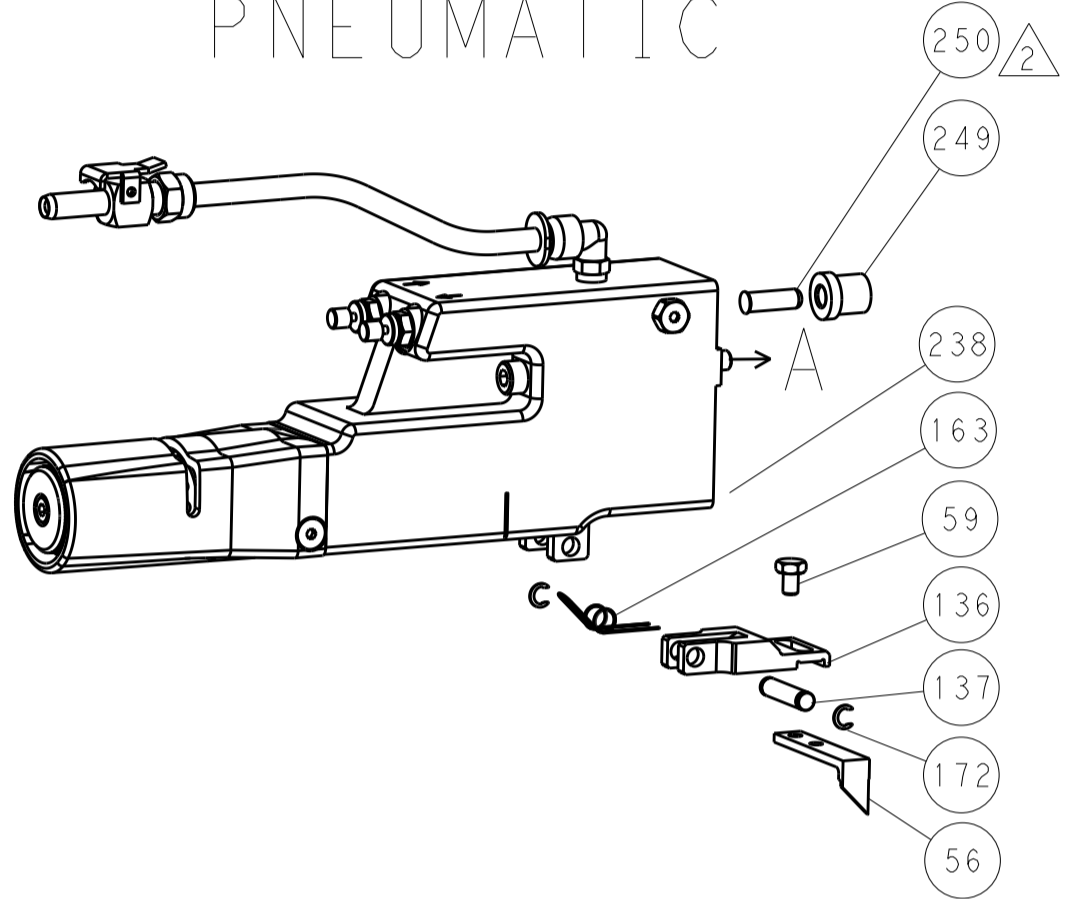


LOC		DIST		REVISIONS			
A	66	P	LTM	DESCRIPTION	DATE	OWN	APVD
		-		SEE SHEET 1			

### FEED TYPE MECHANICAL



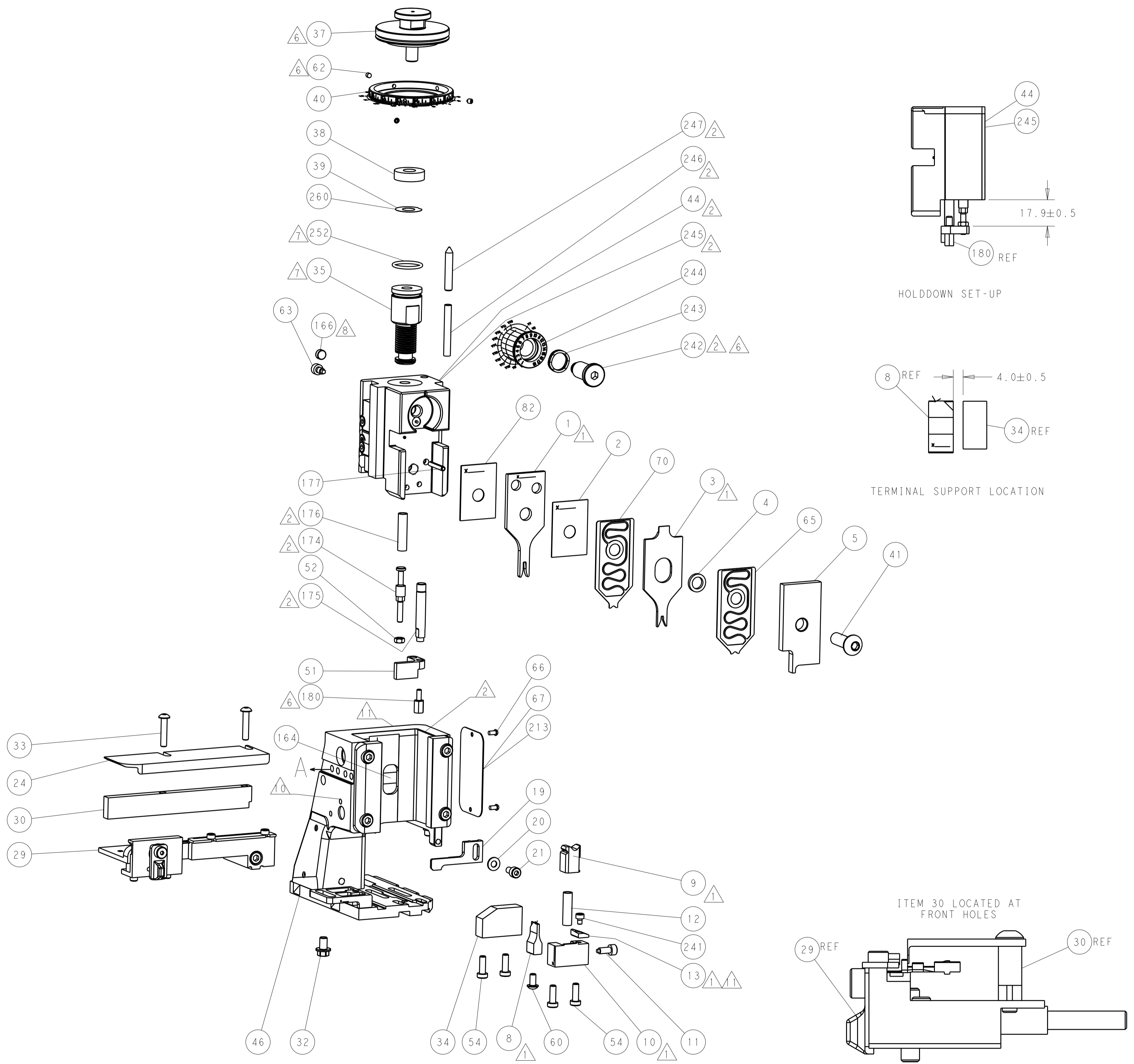
### PNEUMATIC



### SERVO LATCH PLATE



### CAM POSITIONS



HOLDDOWN SET-UP

TERMINAL SUPPORT LOCATION

ITEM 30 LOCATED AT FRONT HOLES

FEED TRACK POSITION GUIDE BY INSULATION BARREL

**ATLANTIC VERSION**  
 Shown on sheets 1 of 4 & 2 of 4  
 (Pacific version shown on sheets 3 of 4 & 4 of 4)

DIMENSIONS:		TOLERANCES UNLESS OTHERWISE SPECIFIED:		DWN: C. CHEN 05AUG2011		TE Connectivity	
mm	0 PLC ±	1 PLC ±	2 PLC ±	3 PLC ±	4 PLC ±	Harrisburg, PA 17105-3608	
MATERIAL:		FINISH:		CHK: S. XI 05AUG2011		NAME: Ocean Side Feed Applicator	
				APVD: J. CRUZ 05AUG2011		SIZE: CAGE CODE: DRAWING NO: RESTRICTED TO	
				PRODUCT SPEC:		A1 00779 ©=2151169	
				APPLICATION SPEC:		Customer Accessible Production Drawing	
				WEIGHT:		SCALE: 1:2 SHEET 2 OF 4 REV: C1	

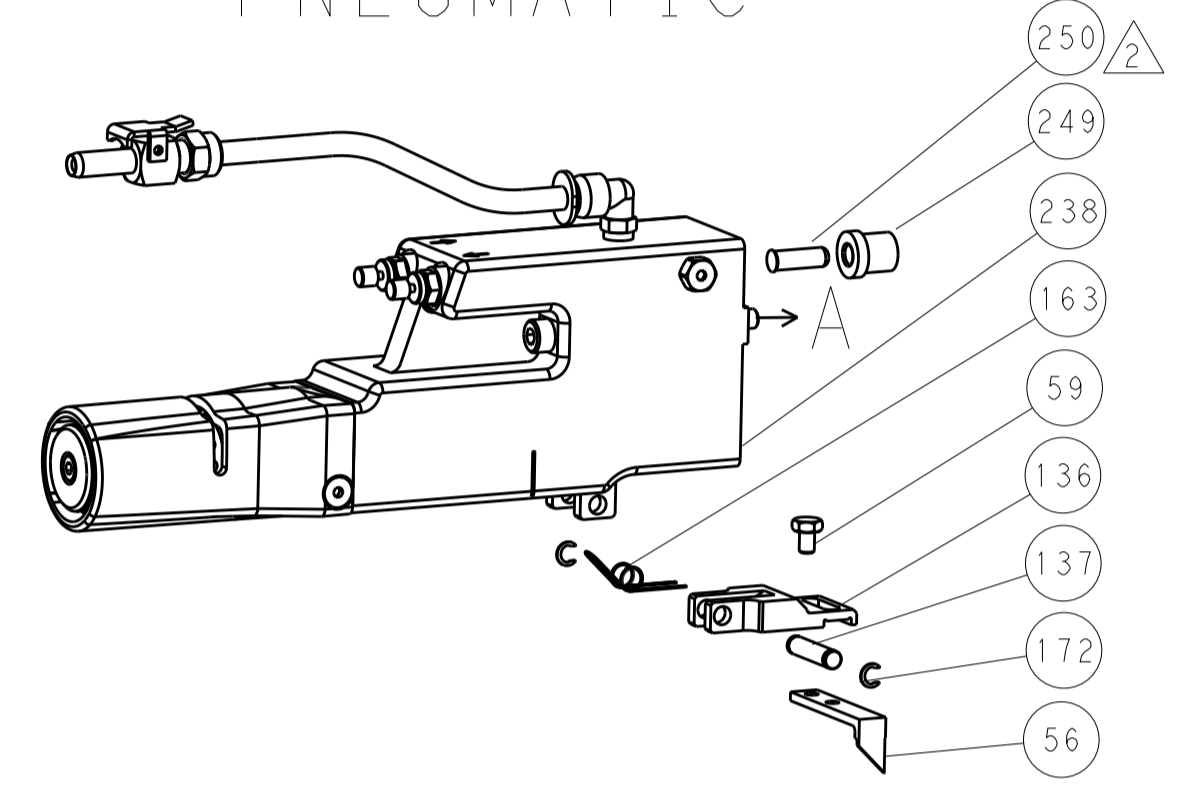


REVISONS		DATE	OWN	APVD
LOC	DIST			
A	66			
P	LTM	DESCRIPTION		
-	-	SEE SHEET 1	-	-

# FEED TYPE MECHANICAL



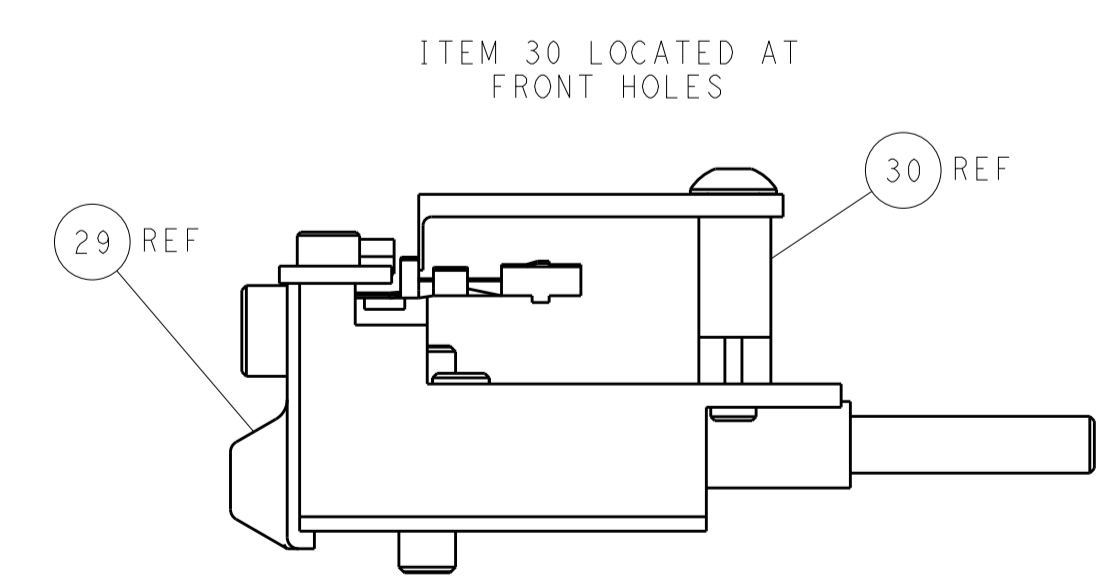
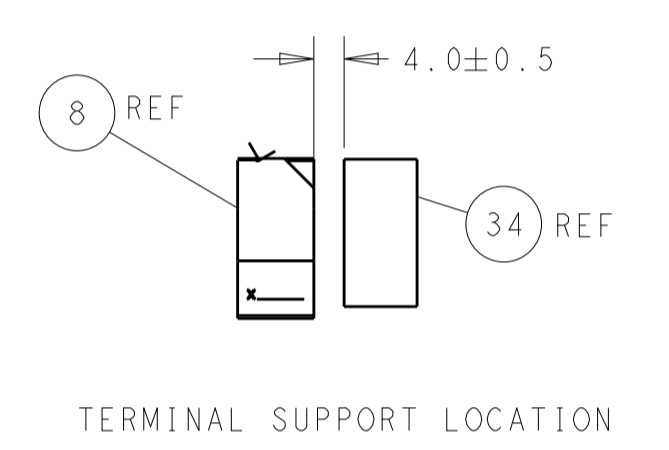
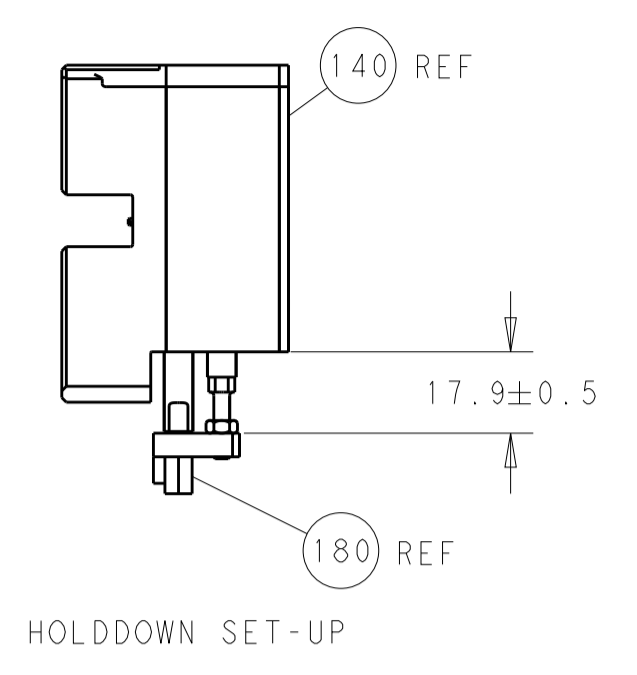
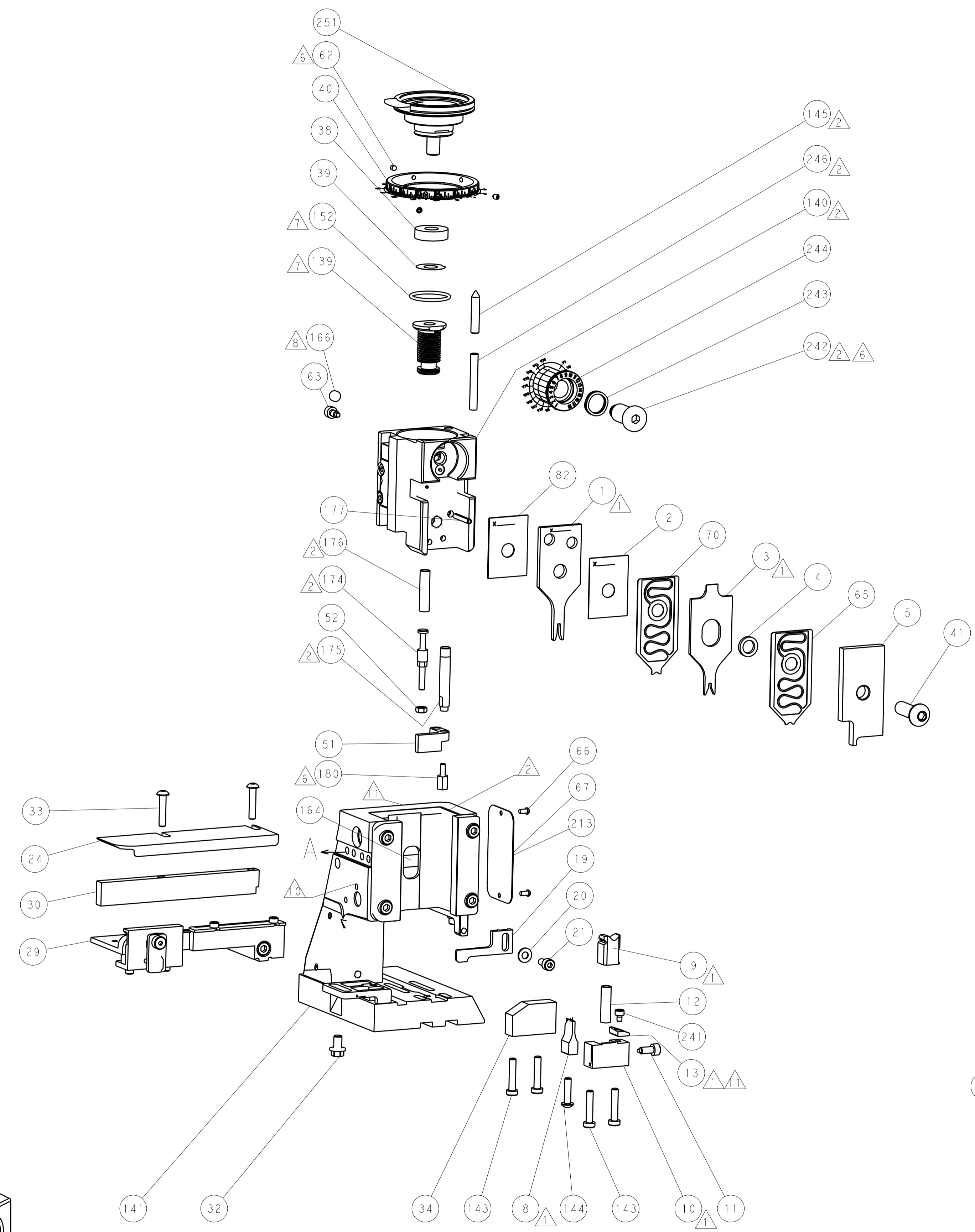
# PNEUMATIC



# SERVO LATCH PLATE



# CAM POSITIONS



**PACIFIC VERSION**  
 Shown on sheets 3 of 4 & 4 of 4  
 (Atlantic version shown on sheets 1 of 4 & 2 of 4)

DIMENSIONS:		TOLERANCES UNLESS OTHERWISE SPECIFIED:		DWG: C.CHEN 05AUG2011		CHK: S.XI 05AUG2011		APVD: J.CRUZ 05AUG2011		NAME: Ocean Side Feed Applier	
mm	0 PLC	±		PRODUCT SPEC	SIZE	CAGE CODE	DRAWING NO	RESTRICTED TO	STE TE Connectivity Harrisburg, PA 17105-3608		
	1 PLC	±		APPLICATION SPEC	SCALE	1:2	SHEET 4 OF 4	REV C1	Customer Accessible Production Drawing		
	2 PLC	±		WEIGHT	A1 00779 ©=2151169				SHEETS 1 & 2 ARE NOT REQUIRED FOR PACIFIC VERSION		
	3 PLC	±									
	4 PLC	±									
	ANGLES	±									
MATERIAL	FINISH										