

1

2

3

4

5

6

7

A

A

NOTE:

1.0.MATERIALS:
1.1.COLD ROLL STEEL, t=0.35mm

2.0.FINISHES:

2.1.5.0um Min. BRIGHT TIN/LEAD(9:1) OVER 5.0um Min. COPPER

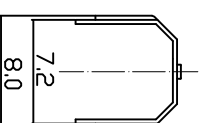
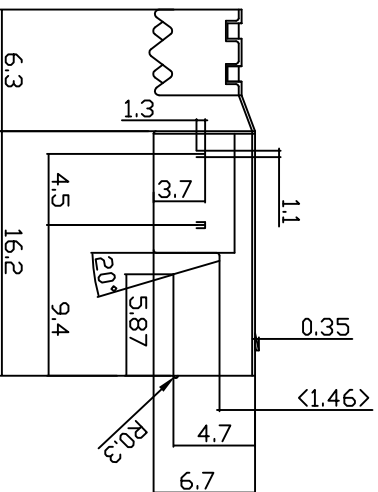
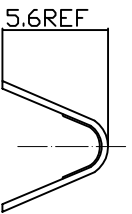
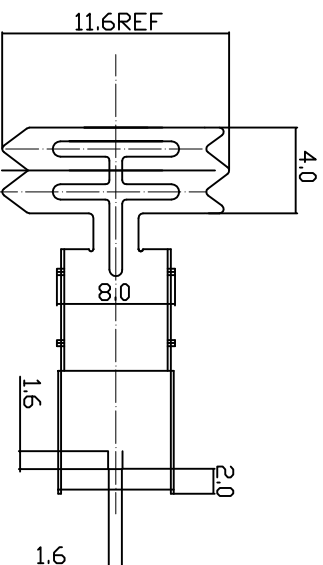
2.2.3.0um-5.0um NICKEL OVER 5.0um Min. COPPER

2.3.1.5u" Min. Au+80-150u" NICKEL +100u"Min. COPPER

2.4.3.0um-5.0um NICKEL OVER 5.0um Min. COPPER(SPECIAL PLATED)

3.0.APPLICATION CABLE SPEC:

UL CSA Type	AWG Signal wires Power wires	Jackel OD.	Cable length(max.)
UL CM	28AWG x 11P, 28AWG x 2Cores	4.2mm	0.81m
UL FT4	28AWG x 11P, 26AWG x 2Cores	4.4mm	1.31m
	28AWG x 11P, 24AWG x 2Cores	4.7mm	2.08m
	28AWG x 11P, 22AWG x 2Cores	5.0mm	3.33m
	28AWG x 11P, 20AWG x 2Cores	5.0mm	5.00m



A

A

B

B

C

C

D

D

E

E

F

F

G

G

H

H

RoHS compliant

Scale	1:1
TOLERANCE	
.XX	±0.10
.X	±0.20
X.	±0.50
XX.	±1
DIM	TOL
Angle	TOL

Id.	Modification	Date	Name
①	Drawn	10.02.2014	Ray

Date	Name
10.02.2014	Ray
10.02.2014	Ray



Customer-No.	ASSMANN WSW-No.	Drawing-No.	Replace	Sheet
	A-USBPB-2	ASS 6282 CO		2 / 4
		rev00		

1

2

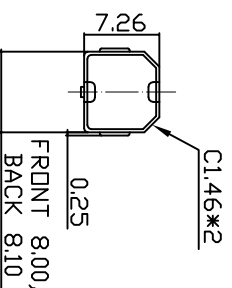
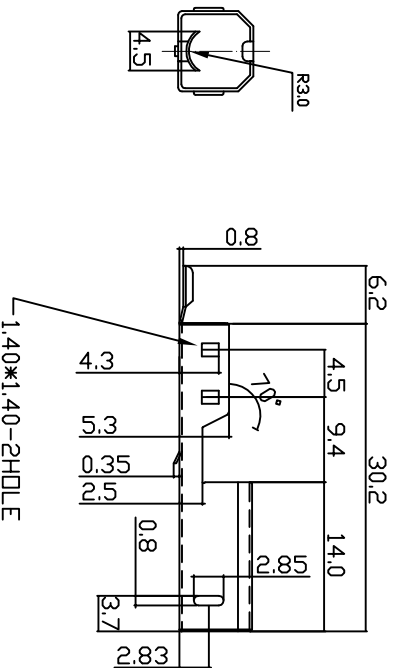
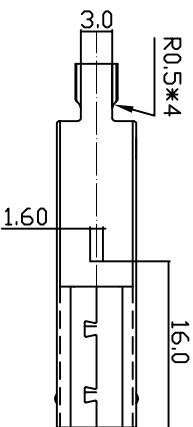
3

4

5

6

7



NOTE:
 1.0.MATERIALS:
 1.1.COLD ROLL STEEL, t=0.35mm
 2.0.FINISHES:
 2.1.5.0um Min.BRIGHT TIN/LEAD(9:1) OVER 5.0um Min.COPPER
 2.2.3.0um-5.0um NICKEL OVER 5.0um Min.COPPER
 2.3.1.5u" Min.Au+80~150U".NICKEL+100U"Min.COPPER
 2.4.3.0um-5.0um NICKEL OVER 5.0um Min.COPPER(SPECIAL PLATED)
 3.0.OTHER:

Scale	1:1																		
TOLERANCE																			
.XX	±0.10																		
.X	±0.20																		
X.	±0.50																		
XX.	±1																		
DIM	TOL																		
Angle	TOL																		

Id.	Drawn	Modification	Date	Name	Date	Name	Customer-No.	Drawing-No.	Sheet
①	Ray		10.02.2014	Ray	10.02.2014	Ray	ASSMANN WSW-No.	ASS 6282 CO	rev00
							A-USBPB-2		3 / 4

RoHS compliant

1 2 3 4 5 6 7

A	1	2	3	4	5	6	7	A
B	1	2	3	4	5	6	7	B
C	1	2	3	4	5	6	7	C
D	1	2	3	4	5	6	7	D
E	1	2	3	4	5	6	7	E
F	1	2	3	4	5	6	7	F
G	1	2	3	4	5	6	7	G
H	1	2	3	4	5	6	7	H

	1	2	3	4	5	6	7											
A																		
B	<p>ASSEMBLY PROCESS</p>																	
C	<p>PART:</p>																	
D	<p>NOTES:</p> <p>Rating: Voltage: 30VAC (R.M.S) Current: 1.5 AMPERE MINIMUM PER CONTACT AT 30°C T-RISE TEMPERATURE: -55°C TO +85°C UNLESS LIMITED BY CABLE OR OVERMOLD (40°C TO +60°C STORAGE: 0°C TO +40 °C (OPERATING) ELECTRIC RESISTANCE: 30 MILLIOHMS MAXIMUM INITIAL INSULATION RESISTANCE: 1000 MEGOHMS MINIMUM DIELECTRIC WITHSTANDING VOLTAGE: 500VAC AT SEA LEVEL CAPACITANCE: 2 PICOFARADS MAXIMUM AT 1KHZ MODIFICATION SEAM DIRECTION CIRCUMGYRATE: 180 DEGREE</p>																	
E																		
F	<p>Customer-No.</p> <p>ASSMANN WSW-No. A-USBPB-2</p>																	
G	<p>Scale 1:1</p> <p>TOLERANCE</p> <table border="1"> <tr> <td>.XX</td> <td>±0.05</td> </tr> <tr> <td>.X</td> <td>±0.10</td> </tr> <tr> <td>X.</td> <td>±0.15</td> </tr> </table> <p>DIM TOL</p> <table border="1"> <tr> <td>X°</td> <td>±3°</td> </tr> <tr> <td>X°</td> <td>±1.0°</td> </tr> </table> <p>Angle TOL</p>		.XX	±0.05	.X	±0.10	X.	±0.15	X°	±3°	X°	±1.0°	<p>Drawn</p> <p>10.02.2014</p>		<p>Date</p> <p>10.02.2014</p>		<p>Name</p> <p>Ray</p>	
.XX	±0.05																	
.X	±0.10																	
X.	±0.15																	
X°	±3°																	
X°	±1.0°																	
H	<p>RoHS compliant</p>																	



ASS 6282 CO rev00

Drawing-No.

A-USBPB-2

ASSMANN WSW-No.

Customer-No.

Replace Sheet 4 / 4