

**OV7725 Color CMOS VGA (640x480) CAMERACHIP™ Sensor
with OmniPixel2™ Technology**

General Description

The OV7725 CAMERACHIP™ image sensor is a low voltage CMOS device that provides the full functionality of a single-chip VGA camera and image processor in a small footprint package. The OV7725 provides full-frame, sub-sampled or windowed 8-bit/10-bit images in a wide range of formats, controlled through the Serial Camera Control Bus (SCCB) interface.

This device has an image array capable of operating at up to 60 frames per second (fps) in VGA with complete user control over image quality, formatting and output data transfer. All required image processing functions, including exposure control, gamma, white balance, color saturation, hue control and more, are also programmable through the SCCB interface. In addition, OmniVision sensors use proprietary sensor technology to improve image quality by reducing or eliminating common lighting/electrical sources of image contamination, such as fixed pattern noise, smearing, blooming, etc., to produce a clean, fully stable color image.



Note: The OV7725 uses a lead-free package.

Features

- High sensitivity for low-light operation
- Standard SCCB interface
- Output support for Raw RGB, RGB (GRB 4:2:2, RGB565/555/444) and YCbCr (4:2:2) formats
- Supports image sizes: VGA, QVGA, and any size scaling down from CIF to 40x30
- VarioPixel® method for sub-sampling
- Automatic image control functions including: Automatic Exposure Control (AEC), Automatic Gain Control (AGC), Automatic White Balance (AWB), Automatic Band Filter (ABF), and Automatic Black-Level Calibration (ABLC)
- Image quality controls including color saturation, hue, gamma, sharpness (edge enhancement), and anti-blooming
- ISP includes noise reduction and defect correction
- Lens shading correction
- Saturation level auto adjust (UV adjust)
- Edge enhancement level auto adjust
- De-noise level auto adjust
- Frame synchronization capability

Ordering Information

Product	Package
OV7725-VL1A (Color, lead-free)	28-pin CSP2

Applications

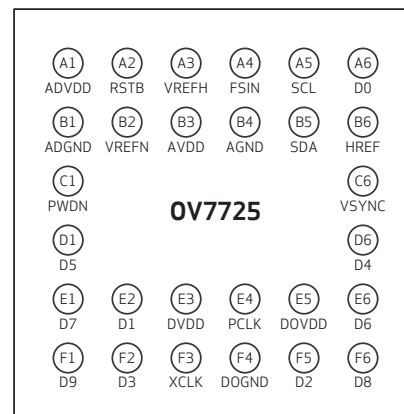
- Cellular and picture phones
- Toys
- PC Multimedia
- Digital still cameras

Key Specifications

	Array Size	640 x 480
Power Supply	Digital Core	1.8VDC ± 10%
	Analog	3.0V to 3.3V
	I/O^a	1.7V to 3.3V
Power Requirements	Active	120 mW typical (60 fps VGA, YUV)
	Standby	< 20 µA
	Temperature Range	-20°C to +70°C
	Output Format (8-bit)	<ul style="list-style-type: none"> • YUV/YCbCr 4:2:2 • RGB565/555/444 • GRB 4:2:2 • Raw RGB Data
	Lens Size	1/4"
	Lens Chief Ray Angle	25° non linear
	Max Image Transfer Rate	60 fps for VGA
	Sensitivity	3.0 V/(Lux • sec)
	S/N Ratio	50 dB
	Dynamic Range	60 dB
	Scan Mode	Progressive
	Electronic Exposure	Up to 510:1 (for selected fps)
	Pixel Size	6.0 µm x 6.0 µm
	Dark Current	40 mV/s
	Well Capacity	26 Ke ⁻
	Fixed Pattern Noise	< 0.03% of V _{PEAK-TO-PEAK}
	Image Area	3984 µm x 2952 µm
	Package Dimensions	5345 µm x 5265 µm

- a. I/O power should be 2.45V or higher when using the internal regulator for Core (1.8V); otherwise, it is necessary to provide an external 1.8V for the Core power supply

Figure 1 OV7725 Pinout (Top View)



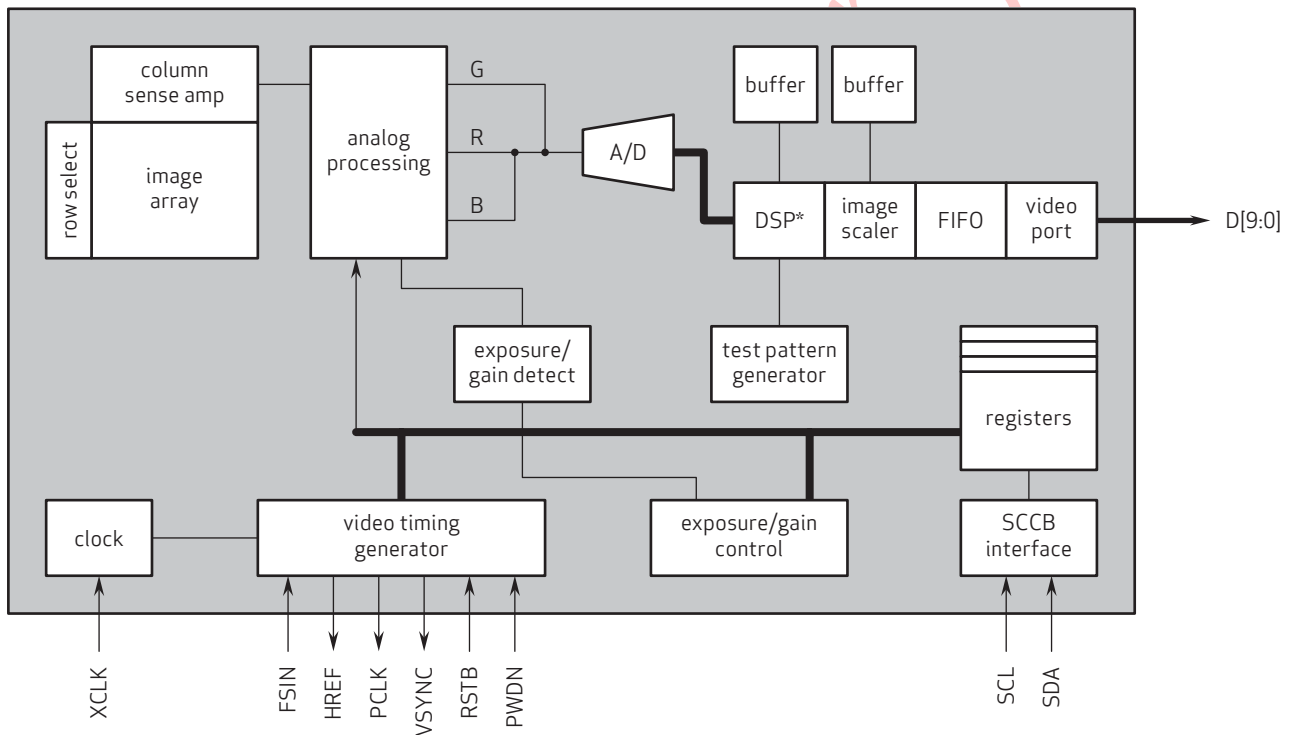
7725CSP_DS_001

Functional Description

Figure 2 shows the functional block diagram of the OV7725 image sensor. The OV7725 includes:

- Image Sensor Array (total array of 656 x 488 pixels, with active pixels 640 x 480 in YUV mode)
- Analog Signal Processor
- A/D Converters
- Test Pattern Generator
- Digital Signal Processor (DSP)
- Image Scaler
- Timing Generator
- Digital Video Port
- SCCB Interface

Figure 2 Functional Block Diagram



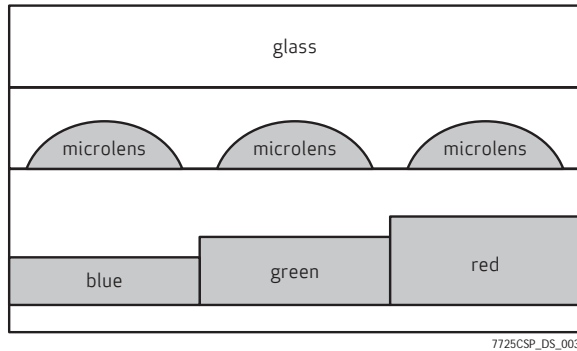
note 1 DSP* (lens shading correction, de-noise, white/black pixel correction, auto white balance, etc.)

7725CSP_DS_002

Image Sensor Array

The OV7725 sensor has an image array of 656 x 488 pixels for a total of 320,128 pixels, of which 640 x 480 pixels are active (307,200 pixels). Figure 3 shows a cross-section of the image sensor array.

Figure 3 Image Sensor Array



Timing Generator

In general, the timing generator controls the following functions:

- Array control and frame generation
- Internal timing signal generation and distribution
- Frame rate timing
- Automatic Exposure Control (AEC)
- External timing outputs (VSYNC, HREF/HSYNC, and PCLK)

Analog Signal Processor

This block performs all analog image functions including:

- Automatic Gain Control (AGC)
- Automatic White Balance (AWB)

A/D Converters

After the Analog Processing block, the bayer pattern Raw signal is fed to a 10-bit analog-to-digital (A/D) converter shared by G and BR channels. This A/D converter operates at speeds up to 12 MHz and is fully synchronous to the pixel rate (actual conversion rate is related to the frame rate).

In addition to the A/D conversion, this block also has the following functions:

- Digital Black-Level Calibration (BLC)
- Optional U/V channel delay
- Additional A/D range controls

In general, the combination of the A/D Range Multiplier and A/D Range Control sets the A/D range and maximum value to allow the user to adjust the final image brightness as a function of the individual application.

Test Pattern Generator

The Test Pattern Generator features the following:

- 8-bar color bar pattern
- Shift "1" in output pin

Digital Signal Processor (DSP)

This block controls the interpolation from Raw data to RGB and some image quality control.

- Edge enhancement (a two-dimensional high pass filter)
- Color space converter (can change Raw data to RGB or YUV/YCbCr)
- RGB matrix to eliminate color cross talk
- Hue and saturation control
- Programmable gamma control
- Transfer 10-bit data to 8-bit

Image Scaler

This block controls all output and data formatting required prior to sending the image out. This block scales YUV/RGB output from VGA to CIF and almost any size under CIF.

Digital Video Port

Register bits COM2[1:0] increase I_{OL}/I_{OH} drive current and can be adjusted as a function of the customer's loading.

SCCB Interface

The Serial Camera Control Bus (SCCB) interface controls the CAMERACHIP sensor operation. Refer to [OmniVision Technologies Serial Camera Control Bus \(SCCB\) Specification](#) for detailed usage of the serial control port.

Pin Description

Table 1 Pin Description

Pin Number	Name	Pin Type	Function/Description
A1	ADVDD	Power	ADC power supply
A2	RSTB	Input	System reset input, active low
A3	VREFH	Reference	Reference voltage - connect to ground using a 0.1 μ F capacitor
A4	FSIN	Input	Frame synchronize input
A5	SCL	Input	SCCB serial interface clock input
A6	D0 ^a	Output	Data output bit[0]
B1	ADGND	Power	ADC ground
B2	VREFN	Reference	Reference voltage - connect to ground using a 0.1 μ F capacitor
B3	AVDD	Power	Analog power supply
B4	AGND	Power	Analog ground
B5	SDA	I/O	SCCB serial interface data I/O
B6	HREF	Output	HREF output
C1	PWDN	Input (0) ^b	Power Down Mode Selection 0: Normal mode 1: Power down mode
C6	VSYNC	Output	Vertical sync output
D1	D5	Output	Data output bit[5]
D6	D4	Output	Data output bit[4]
E1	D7	Output	Data output bit[7]
E2	D1	Output	Data output bit[1]
E3	DVDD	Power	Power supply (+1.8 VDC) for digital logic core
E4	PCLK	Output	Pixel clock output
E5	DOVDD	Power	Digital power supply for I/O (1.7V ~ 3.3V)
E6	D6	Output	Data output bit[6]
F1	D9 ^c	Output	Data output bit[9]
F2	D3	Output	Data output bit[3]
F3	XCLK	Input	System clock input
F4	DOGND	Power	Digital ground
F5	D2	Output	Data output bit[2]
F6	D8	Output	Data output bit[8]

- D[9:0] for 10-bit Raw RGB data (D[9] MSB, D[0] LSB)
- Input (0) represents an internal pull-down resistor.
- D[9:2] for 8-bit YUV or RGB565/RGB555 (D[9] MSB, D[2] LSB)

Electrical Characteristics

Table 2 Operating Conditions

Parameter	Min	Max
Operating temperature	-20°C	+70°C
Storage temperature ^a	-40°C	+125°C

- a. Exceeding the stresses listed may permanently damage the device. This is a stress rating only and functional operation of the sensor at these and any other condition above those indicated in this specification is not implied. Exposure to absolute maximum rating conditions for any extended period may affect reliability.

Table 3 Absolute Maximum Ratings

Ambient Storage Temperature		-40°C to +95°C
Supply Voltages (with respect to Ground)	V_{DD-A}	4.5 V
	V_{DD-C}	3 V
	V_{DD-IO}	4.5 V
All Input/Output Voltages (with respect to Ground)		-0.3V to V _{DD-IO} +0.5V
Lead-free Temperature, Surface-mount process		245°C

NOTE: Exceeding the Absolute Maximum ratings shown above invalidates all AC and DC electrical specifications and may result in permanent device damage.

Table 4 DC Characteristics (-20°C < T_A < 70°C)

Symbol	Parameter	Condition	Min	Typ	Max	Unit
V _{DD-A}	DC supply voltage – analog	–	3.0	3.3	3.6	V
V _{DD-C}	DC supply voltage – digital core	–	1.62	1.8	1.98	V
V _{DD-IO}	DC supply voltage – I/O	–	2.5	–	3.3	V
I _{DDA}	Active (operating) current	See Note ^a		10 + 8 ^b		mA
I _{DDS-SCCB}	Standby current	See Note ^c		1		mA
I _{DDS-PWDN}	Standby current			10	20	μA
V _{IH}	Input voltage HIGH	CMOS	0.7 × V _{DD-IO}			V
V _{IL}	Input voltage LOW				0.3 × V _{DD-IO}	V
V _{OH}	Output voltage HIGH	CMOS	0.9 × V _{DD-IO}			V
V _{OL}	Output voltage LOW				0.1 × V _{DD-IO}	V
I _{OH}	Output current HIGH	See Note ^d	8			mA
I _{OL}	Output current LOW		15			mA
I _L	Input/Output leakage	GND to V _{DD-IO}			± 1	μA

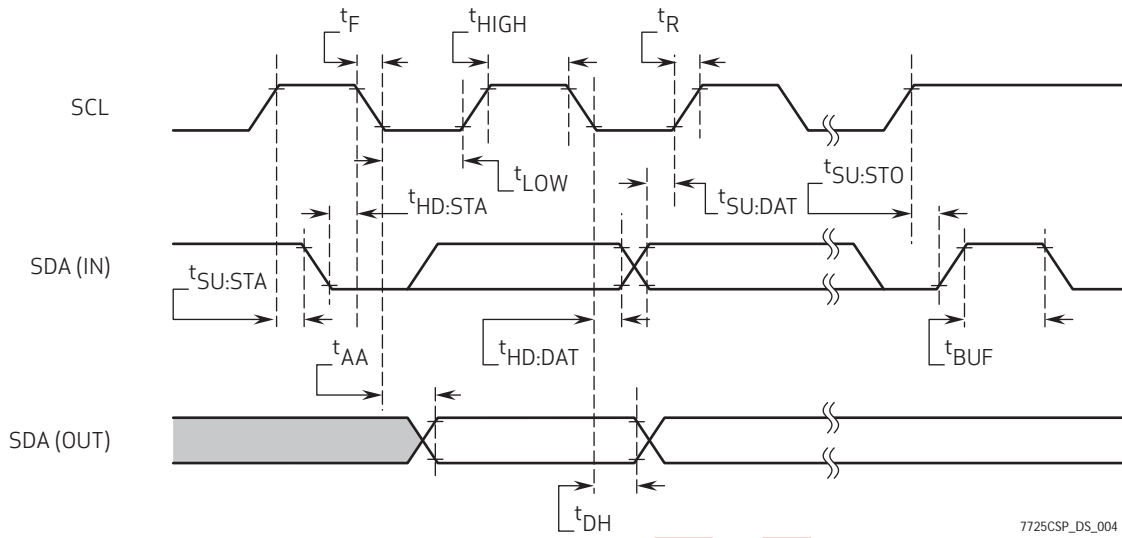
- a. At 25°C, V_{DD-A} = 3.3V, V_{DD-C} = 1.8V, V_{DD-IO} = 3.3V
 $I_{DDA} = \sum \{I_{DD-IO} + I_{DD-C} + I_{DD-A}\}$, f_{CLK} = 24MHz at 30 fps YUV output, no I/O loading
- b. I_{DD-C} = 10mA, I_{DD-A} = 8mA, without loading
- c. At 25°C, V_{DD-A} = 3.3V, V_{DD-C} = 1.8V, V_{DD-IO} = 3.3V
 I_{DDS-SCCB} refers to a SCCB-initiated Standby, while I_{DDS-PWDN} refers to a PWDN pin-initiated Standby
- d. Standard Output Loading = 25pF, 1.2KΩ

Table 5 Functional and AC Characteristics (-20°C < T_A < 70°C)

Symbol	Parameter	Min	Typ	Max	Unit
Functional Characteristics					
	A/D Differential non-linearity		± 1/2		LSB
	A/D Integral non-linearity		± 1		LSB
	AGC Range			30	dB
	Red/Blue adjustment range			12	dB
Inputs (PWDN, CLK, RESET#)					
f _{CLK}	Input clock frequency	10	24	48	MHz
t _{CLK}	Input clock period	21	42	100	ns
t _{CLK:DC}	Clock duty cycle	45	50	55	%
t _{S:RESET}	Setting time after software/hardware reset			1	ms
t _{S:REG}	Settling time for register change (10 frames required)			300	ms
SCCB Timing (see Figure 4)					
f _{SCL}	Clock frequency			400	KHz
t _{LOW}	Clock low period	1.3			µs
t _{HIGH}	Clock high period	600			ns
t _{AA}	SCL low to data out valid	100		900	ns
t _{BUF}	Bus free time before new START	1.3			µs
t _{HD:STA}	START condition hold time	600			ns
t _{SU:STA}	START condition setup time	600			ns
t _{HD:DAT}	Data in hold time	0			µs
t _{SU:DAT}	Data in setup time	100			ns
t _{SU:STO}	STOP condition setup time	600			ns
t _R , t _F	SCCB rise/fall times			300	ns
t _{DH}	Data out hold time	50			ns
Outputs (VSYNC, HREF, PCLK, and D[9:0]) (see Figure 5, Figure 6, Figure 7, and Figure 8)					
t _{PDV}	PCLK[↓] to data out Valid			5	ns
t _{SU}	D[9:0] setup time	15			ns
t _{HD}	D[9:0] Hold time	8			ns
t _{PHH}	PCLK[↓] to HREF[↑]	0		5	ns
t _{PHL}	PCLK[↓] to HREF[↓]	0		5	ns
AC Conditions:	<ul style="list-style-type: none"> • V_{DD}: V_{DD-C} = 1.8V, V_{DD-A} = 3.3V, V_{DD-IO} = 3.3V • Rise/Fall Times: I/O: 5ns, Maximum SCCB: 300ns, Maximum • Input Capacitance: 10pf • Output Loading: 25pF, 1.2KΩ to 3.3V • f_{CLK}: 24MHz 				

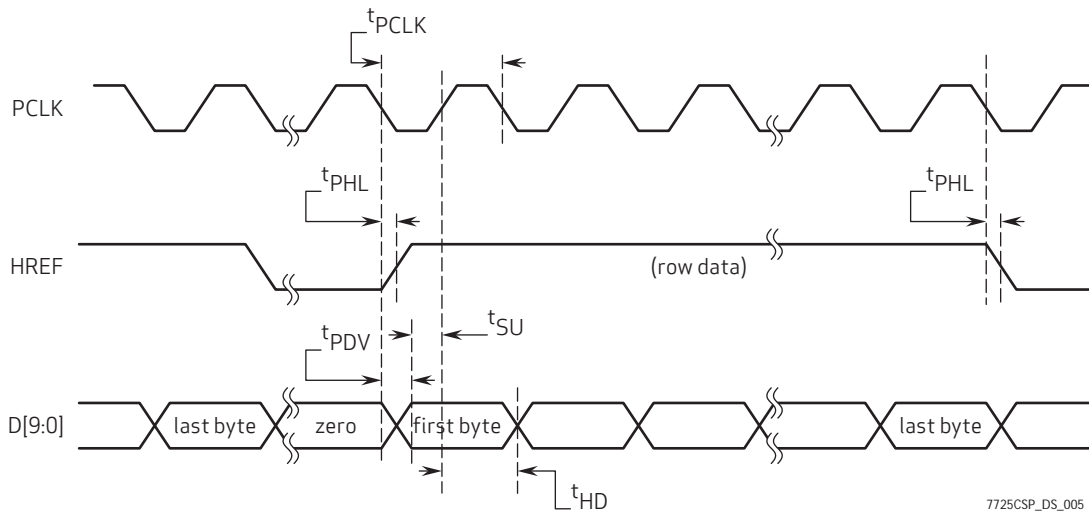
Timing Specifications

Figure 4 SCCB Timing Diagram



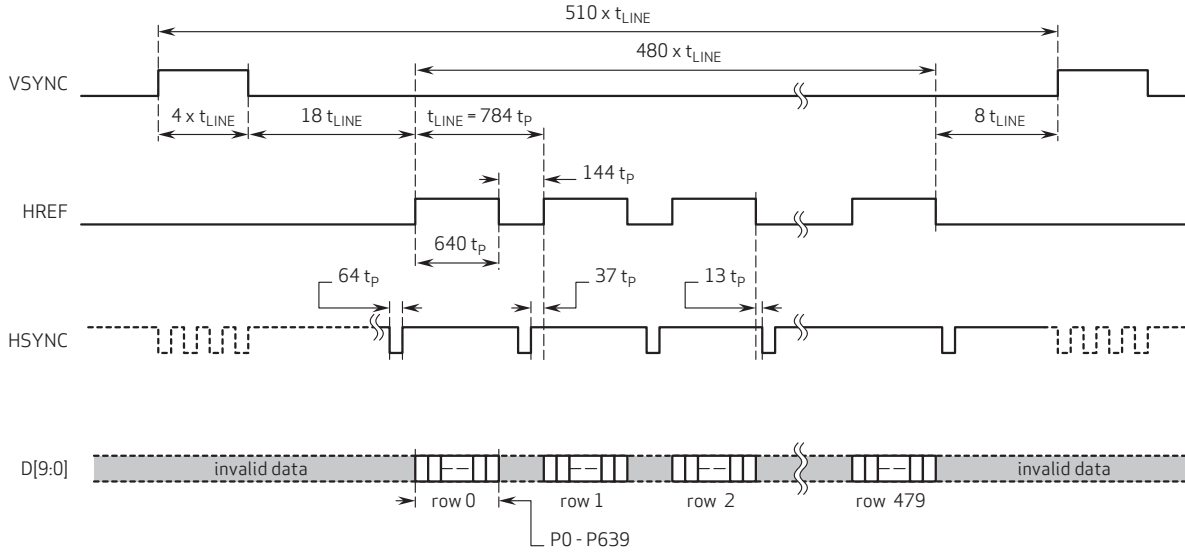
7725CSP_DS_004

Figure 5 Horizontal Timing



7725CSP_DS_005

Figure 6 VGA Frame Timing

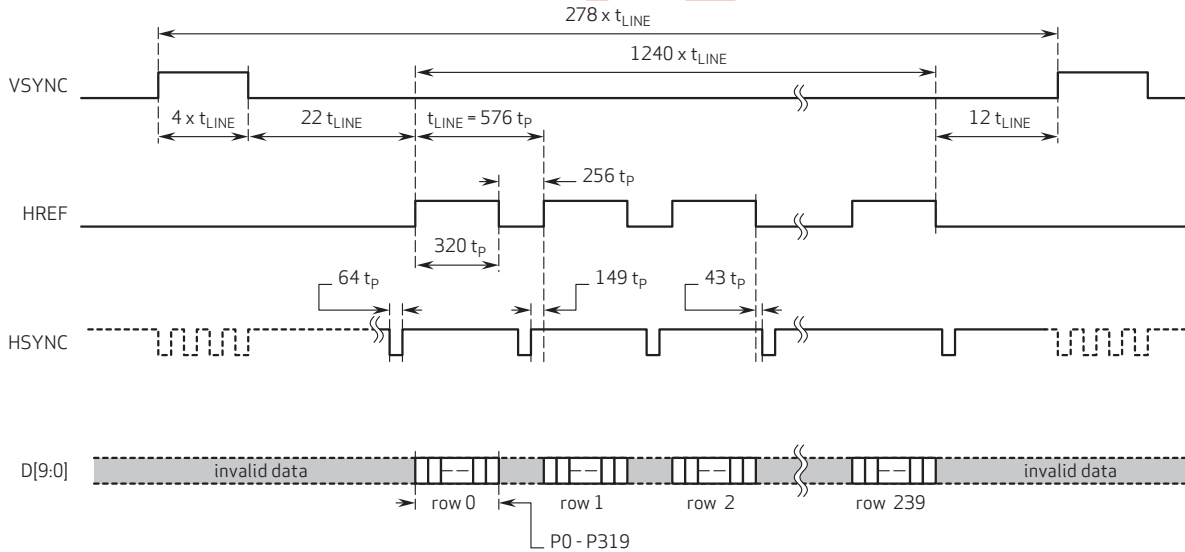


note 1 for raw data, $t_p = t_{PCLK}$

note 2 for YUV/RGB, $t_p = 2 \times t_{PCLK}$

7725CSP_DS_006

Figure 7 QVGA Frame Timing

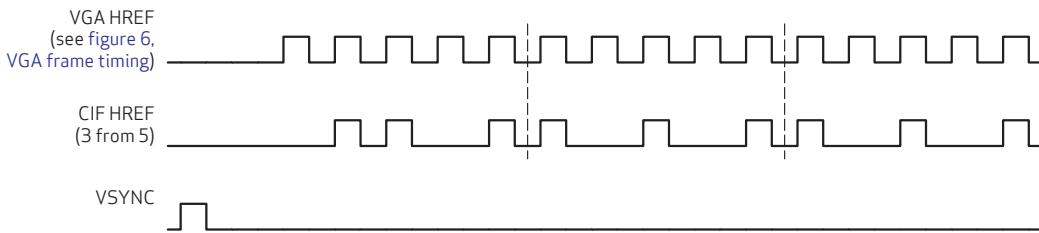


note 1 for raw data, $t_p = t_{PCLK}$

note 2 for YUV/RGB, $t_p = 2 \times t_{PCLK}$

7725CSP_DS_007

Figure 8 CIF Frame Timing



7725CSP_DS_008

Figure 9 RGB 565 Output Timing Diagram

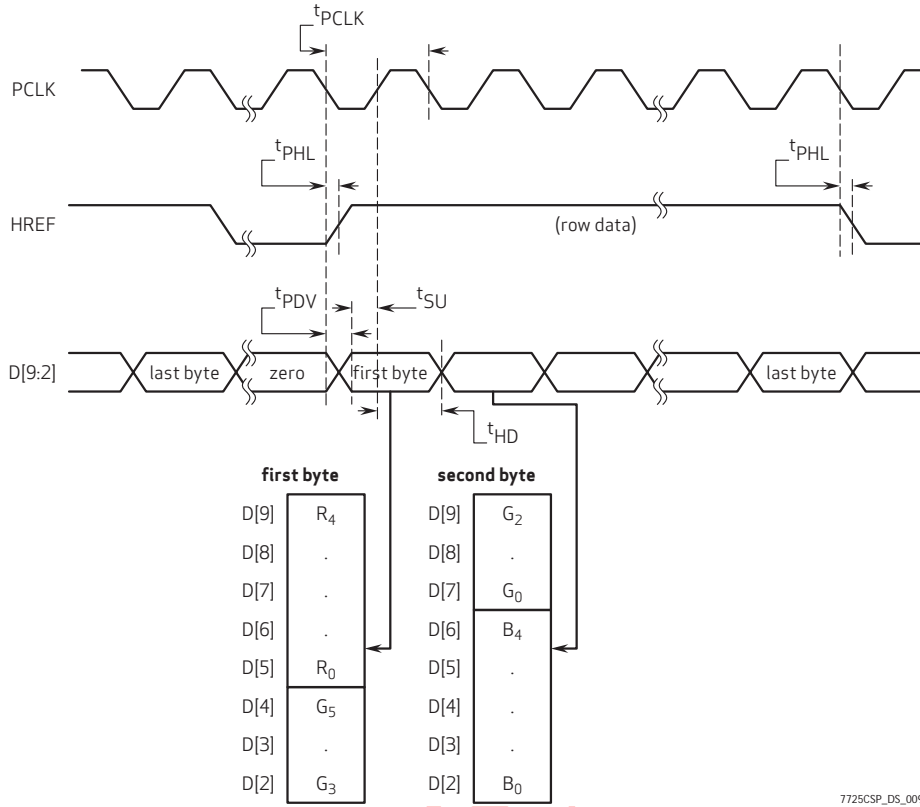


Figure 10 RGB 555 Output Timing Diagram

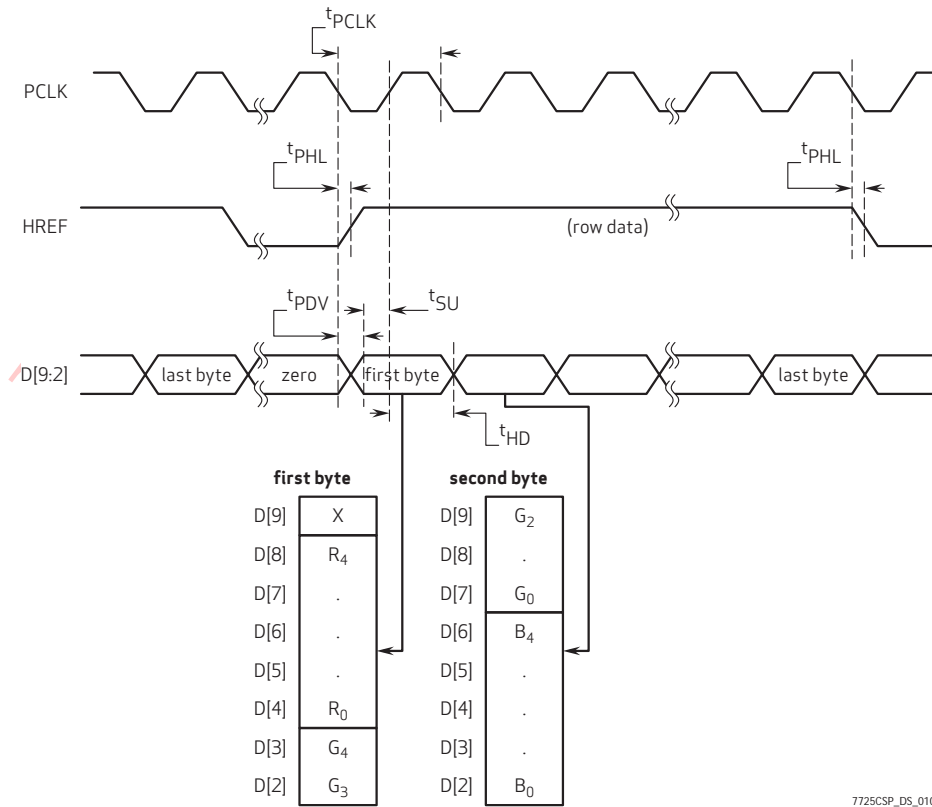
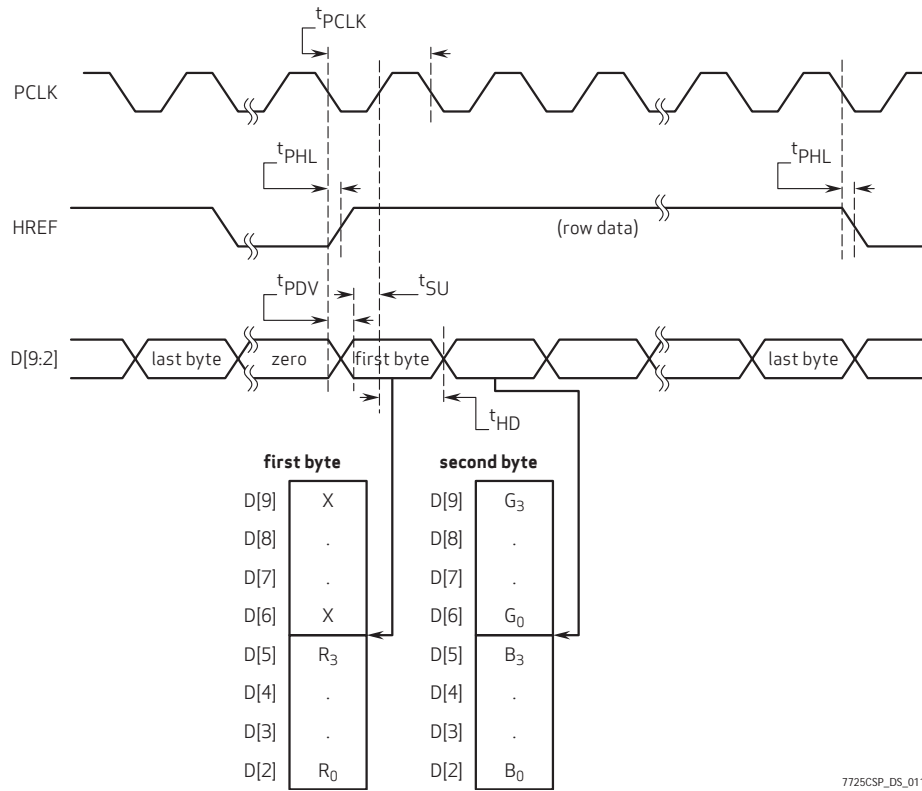


Figure 11 RGB 444 Output Timing Diagram



7725CSP_DS_011

Preliminary

Register Set

Table 6 provides a list and description of the Device Control registers contained in the OV7725. For all register Enable/Disable bits, ENABLE = 1 and DISABLE = 0. The device slave addresses are 42 for write and 43 for read.

Table 6 Device Control Register List (Sheet 1 of 13)

Address (Hex)	Register Name	Default (Hex)	R/W	Description
00	GAIN	00	RW	AGC – Gain control gain setting Bit[7:0]: AGC[7:0] • Range: [00] to [FF]
01	BLUE	80	RW	AWB – Blue channel gain setting • Range: [00] to [FF]
02	RED	80	RW	AWB – Red channel gain setting • Range: [00] to [FF]
03	GREEN	00	RW	AWB – Green channel gain setting • Range: [00] to [FF]
04	RSVD	XX	–	Reserved
05	BAVG	00	RW	U/B Average Level Automatically updated based on chip output format
06	GAVG	00	RW	Y/Gb Average Level Automatically updated based on chip output format
07	RAVG	00	RW	V/R Average Level Automatically updated based on chip output format
08	AECH	00	RW	Exposure Value – AEC MSBs Bit[7:0]: AEC[15:8] (see register AEC for AEC[7:0]) Automatically updated based on chip output format
09	COM2	01	RW	Common Control 2 Bit[7:5]: Reserved Bit[4]: Soft sleep mode Bit[3:2]: Reserved Bit[1:0]: Output drive capability 00: 1x 01: 2x 10: 3x 11: 4x
0A	PID	77	R	Product ID Number MSB (Read only)
0B	VER	21	R	Product ID Number LSB (Read only)

Table 6 Device Control Register List (Sheet 2 of 13)

Address (Hex)	Register Name	Default (Hex)	R/W	Description
0C	COM3	10	RW	Common Control 3 Bit[7]: Vertical flip image ON/OFF selection Bit[6]: Horizontal mirror image ON/OFF selection Bit[5]: Swap B/R output sequence in RGB output mode Bit[4]: Swap Y/UV output sequence in YUV output mode Bit[3]: Swap output MSB/LSB Bit[2]: Tri-state option for output clock at power-down period 0: Tri-state at this period 1: No tri-state at this period Bit[1]: Tri-state option for output data at power-down period 0: Tri-state at this period 1: No tri-state at this period Bit[0]: Sensor color bar test pattern output enable
0D	COM4	41	RW	Common Control 4 Bit[7:6]: PLL frequency control 00: Bypass PLL 01: PLL 4x 10: PLL 6x 11: PLL 8x Bit[5:4]: AEC evaluate window 00: Full window 01: 1/2 window 10: 1/4 window 11: Low 2/3 window Bit[3:0]: Reserved
0E	COM5	01	RW	Common Control 5 Bit[7]: Auto frame rate control ON/OFF selection (night mode) Bit[6]: Auto frame rate control speed selection Bit[5:4]: Auto frame rate max rate control 00: No reduction of frame rate 01: Max reduction to 1/2 frame rate 10: Max reduction to 1/4 frame rate 11: Max reduction to 1/8 frame rate Bit[3:2]: Auto frame rate active point control 00: Not allowed 01: Add frame when AGC reaches 4x gain 10: Add frame when AGC reaches 8x gain 11: Add frame when AGC reaches 16x gain Bit[1]: Reserved Bit[0]: AEC max step control 0: AEC increase step has limit 1: No limit to AEC increase step
0F	COM6	43	RW	Common Control 6 Bit[7:1]: Reserved Bit[0]: Auto window setting ON/OFF selection when format changes

Table 6 Device Control Register List (Sheet 3 of 13)

Address (Hex)	Register Name	Default (Hex)	R/W	Description
10	AEC	40	RW	Exposure Value Bit[7:0]: AEC[7:0] (see register AECH for AEC[15:8])
11	CLKRC	80	RW	Internal Clock Bit[7]: Reserved Bit[6]: Use external clock directly (no clock pre-scale available) Bit[5:0]: Internal clock pre-scaler $F(\text{internal clock}) = F(\text{input clock}) / (\text{Bit}[5:0] + 1) / 2$ • Range: [0 0000] to [1 1111]
12	COM7	00	RW	Common Control 7 Bit[7]: SCCB Register Reset 0: No change 1: Resets all registers to default values Bit[6]: Resolution selection 0: VGA 1: QVGA Bit[5]: BT.656 protocol ON/OFF selection Bit[4]: Sensor RAW Bit[3:2]: RGB output format control 00: GBR4:2:2 01: RGB565 10: RGB555 11: RGB444 Bit[1:0]: Output format control 00: YUV 01: Processed Bayer RAW 10: RGB 11: Bayer RAW
13	COM8	8F	RW	Common Control 8 Bit[7]: Enable fast AGC/AEC algorithm Bit[6]: AEC - Step size limit 0: Step size is limited to vertical blank 1: Unlimited step size Bit[5]: Banding filter ON/OFF Bit[4]: Enable AEC below banding value Bit[3]: Fine AEC ON/OFF control Bit[2]: AGC Enable Bit[1]: AWB Enable Bit[0]: AEC Enable

Table 6 Device Control Register List (Sheet 4 of 13)

Address (Hex)	Register Name	Default (Hex)	R/W	Description
14	COM9	4A	RW	Common Control 9 Bit[7]: Histogram or average based AEC/AGC selection Bit[6:4]: Automatic Gain Ceiling - maximum AGC value 000: 2x 001: 4x 010: 8x 011: 16x 100: 32x 101: Not allowed 110: Not allowed 111: Not allowed Bit[3]: Reserved Bit[2]: Drop VSYNC output of corrupt frame Bit[1]: Drop HREF output of corrupt frame Bit[0]: Reserved
15	COM10	00	RW	Common Control 10 Bit[7]: Output negative data Bit[6]: HREF changes to HSYNC Bit[5]: PCLK output option 0: Free running PCLK 1: PCLK does not toggle during horizontal blank Bit[4]: PCLK reverse Bit[3]: HREF reverse Bit[2]: VSYNC option 0: VSYNC changes on falling edge of PCLK 1: VSYNC changes on rising edge of PCLK Bit[1]: VSYNC negative Bit[0]: Output data range selection 0: Full range 1: Data from [10] to [F0] (8 MSBs)
16	REG16	00	RW	Register 16 Bit[7]: Bit shift test pattern options Bit[6:0]: Reserved
17	HSTART	23 (VGA) 3F (QVGA)	RW	Horizontal Frame (HREF column) Start 8 MSBs (2 LSBs are at HREF[5:4])
18	HSIZE	A0 (VGA) 50 (QVGA)	RW	Horizontal Sensor Size (2 LSBs are at HREF[1:0])
19	VSTRT	07 (VGA) 03 (QVGA)	RW	Vertical Frame (row) Start 8 MSBs (1 LSB is at HREF[6])
1A	VSIZE	F0 (VGA) 78 (QVGA)	RW	Vertical Sensor Size (1 LSB is at HREF[2])
1B	PSHFT	40	RW	Data Format - Pixel Delay Select (delays timing of the D[9:0] data relative to HREF in pixel units) • Range: [00] (no delay) to [FF] (256 pixel delay which accounts for whole array)

Table 6 Device Control Register List (Sheet 5 of 13)

Address (Hex)	Register Name	Default (Hex)	R/W	Description
1C	MIDH	7F	R	Manufacturer ID Byte – High (Read only = 0x7F)
1D	MIDL	A2	R	Manufacturer ID Byte – Low (Read only = 0xA2)
1E	RSVD	XX	–	Reserved
1F	LAEC	00	RW	Fine AEC Value - defines exposure value less than one row period
20	COM11	10	RW	Common Control 11 Bit[7:2]: Reserved Bit[1]: Single frame ON/OFF selection Bit[0]: Single frame transfer trigger
21	RSVD	XX	–	Reserved
22	BDBase	FF	RW	Banding Filter Minimum AEC Value
23	BDMStep	01	RW	Banding Filter Maximum Step
24	AEW	75	RW	AGC/AEC - Stable Operating Region (Upper Limit)
25	AEB	63	RW	AGC/AEC - Stable Operating Region (Lower Limit)
26	VPT	D4	RW	AGC/AEC Fast Mode Operating Region Bit[7:4]: High nibble of upper limit of fast mode control zone Bit[3:0]: High nibble of lower limit of fast mode control zone
27	RSVD	XX	–	Reserved
28	REG28	00	RW	Register 28 Bit[7:1]: Reserved Bit[0]: Selection on the number of dummy rows, N
29	HOutSize	A0 (VGA) 50 (QVGA)	RW	Horizontal Data Output Size MSBs (2 LSBs at register EXHCH[1:0])
2A	EXHCH	00	RW	Dummy Pixel Insert MSB Bit[7:4]: 4 MSB for dummy pixel insert in horizontal direction Bit[3]: Reserved Bit[2]: Vertical data output size LSB Bit[1:0]: Horizontal data output size 2 LSBs
2B	EXHCL	00	RW	Dummy Pixel Insert LSB 8 LSB for dummy pixel insert in horizontal direction
2C	VOutSize	F0 (VGA) 78 (QVGA)	RW	Vertical Data Output Size MSBs (LSB at register EXHCH[2])
2D	ADVFL	00	RW	LSB of Insert Dummy Rows in Vertical Sync (1 bit equals 1 row)
2E	ADVFH	00	RW	MSB of Insert Dummy Rows in Vertical Sync
2F	YAVE	00	RW	Y/G Channel Average Value
30	LumHTh	80	RW	Histogram AEC/AGC Luminance High Level Threshold
31	LumLTh	60	RW	Histogram AEC/AGC Luminance Low Level Threshold

Table 6 Device Control Register List (Sheet 6 of 13)

Address (Hex)	Register Name	Default (Hex)	R/W	Description
32	HREF	00	RW	Image Start and Size Control Bit[7]: Mirror image edge alignment Bit[6]: Vertical HREF window start control LSB Bit[5:4]: Horizontal HREF window start control LSBs Bit[3]: Data output bit shift test pattern ON/OFF control Bit[2]: Vertical sensor size LSB Bit[1:0]: Horizontal sensor size 2 LSBs
33	DM_LNL	00	RW	Dummy Row Low 8 Bits
34	DM_LNH	00	RW	Dummy Row High 8 Bits
35	ADoff_B	80	RW	AD Offset Compensation Value for B Channel
36	ADoff_R	80	RW	AD Offset Compensation Value for R Channel
37	ADoff_Gb	80	RW	AD Offset Compensation Value for Gb Channel
38	ADoff_Gr	80	RW	AD Offset Compensation Value for Gr Channel
39	Off_B	80	RW	Analog Process B Channel Offset Compensation Value
3A	Off_R	80	RW	Analog Process R Channel Offset Compensation Value
3B	Off_Gb	80	RW	Analog Process Gb Channel Offset Compensation Value
3C	Off_Gr	80	RW	Analog Process Gr Channel Offset Compensation Value
3D	COM12	80	RW	Common Control 12 Bit[7:6]: Reserved Bit[5:0]: DC offset compensation for analog process
3E	COM13	E2	RW	Common Control 13 Bit[7]: BLC enable Bit[6]: ADC channel BLC ON/OFF control Bit[5]: Analog processing channel BLC ON/OFF control Bit[4:3]: Reserved Bit[2]: ABLC gain trigger enable Bit[1:0]: Reserved
3F	COM14	1F	RW	Edge Enhancement Adjustment Bit[7:4]: Reserved Bit[3:2]: AD offset compensation option x0: Use R/Gr channel value for B/Gb 01: Use B/Gb channel value for R/Gr 11: Use B/Gb/R/Gr channel value independently Bit[1:0]: Analog processing offset compensation option x0: Use R/Gr channel value for B/Gb 01: Use B/Gb channel value for R/Gr 11: Use B/Gb/R/Gr channel value independently

Table 6 Device Control Register List (Sheet 7 of 13)

Address (Hex)	Register Name	Default (Hex)	R/W	Description
40	COM15	C0	RW	Common Control 15 Bit[7:4]: Reserved Bit[3]: AD add 128 bit offset Bit[2:0]: Reserved
41	COM16	08	RW	Common Control 16 Bit[7:2]: Reserved Bit[1:0]: BLC target 2 LSBs
42	TGT_B	80	RW	BLC Blue Channel Target Value
43	TGT_R	80	RW	BLC Red Channel Target Value
44	TGT_Gb	80	RW	BLC Gb Channel Target Value
45	TGT_Gr	80	RW	BLC Gr Channel Target Value
46	LC_CTR	00	RW	Lens Correction Control Bit[7:3]: Reserved Bit[2]: Lens correction control select 0: R, G, and B channel compensation coefficient is set by registers LC_COEF (0x49) 1: R, G, and B channel compensation coefficient is set by registers LC_COEFB (0x4B), LC_COEF (0x49), and LC_COEFR (0x4C), respectively Bit[1]: Reserved Bit[0]: Lens correction enable 0: Disable 1: Enable
47	LC_XC	00	RW	X Coordinate of Lens Correction Center Relative to Array Center Bit[7]: Sign bit 0: Positive 1: Negative Bit[6:0]: X coordinate of lens correction center relative to array center
48	LC_YC	00	RW	Y Coordinate of Lens Correction Center Relative to Array Center Bit[7]: Sign bit 0: Positive 1: Negative Bit[6:0]: Y coordinate of lens correction center relative to array center
49	LC_COEF	50	RW	Lens Correction Coefficient G channel compensation coefficient when LC_CTR [2] (0x46) is 1 R, G, and B channel compensation coefficient when LC_CTR [2] is 0
4A	LC_RADI	30	RW	Lens Correction Radius – radius of the circular section where no compensation applies
4B	LC_COEFB	50	RW	Lens Correction B Channel Compensation Coefficient (effective only when LC_CTR [2] is high)

Table 6 Device Control Register List (Sheet 8 of 13)

Address (Hex)	Register Name	Default (Hex)	R/W	Description
4C	LC_COEFR	50	RW	Lens Correction R Channel Compensation Coefficient (effective only when LC_CTR[2] is high)
4D	FixGain	00	RW	Analog Fix Gain Amplifier Bit[7:6]: Gb channel fixed gain Bit[5:4]: Gr channel fixed gain Bit[3:2]: B channel fixed gain Bit[1:0]: R channel fixed gain
4E	AREF0	EF	RW	Sensor Reference Control • Range: [00] to [FF]
4F	AREF1	10	RW	Sensor Reference Current Control Bit[7:4]: Sensor reference current control Bit[3]: Internal regulator ON/OFF selection Bit[2]: Reserved Bit[1:0]: Analog reference control
50	AREF2	60	RW	Analog Reference Control • Range: [00] to [FF]
51	AREF3	00	RW	ADC Reference Control • Range: [00] to [FF]
52	AREF4	00	RW	ADC Reference Control • Range: [00] to [FF]
53	AREF5	24	RW	ADC Reference Control • Range: [00] to [FF]
54	AREF6	7A	RW	Analog Reference Control • Range: [00] to [FF]
55	AREF7	FC	RW	Analog Reference Control • Range: [00] to [FF]
56-5F	RSVD	XX	–	Reserved
60	UFix	80	RW	U Channel Fixed Value Output
61	VFix	80	RW	V Channel Fixed Value Output
62	AWBb_blk	FF	RW	AWB Option for Advanced AWB
63	AWB_Ctrl0	F0	RW	AWB Control Byte 0 Bit[7]: AWB gain enable Bit[6]: AWB calculate enable Bit[5]: Reserved Bit[4:0]: WBC threshold 2

Table 6 Device Control Register List (Sheet 9 of 13)

Address (Hex)	Register Name	Default (Hex)	R/W	Description
64	DSP_Ctrl1	1F	RW	DSP Control Byte 1 Bit[7]: FIFO enable/disable selection Bit[6]: UV adjust function ON/OFF selection Bit[5]: SDE enable Bit[4]: Color matrix ON/OFF selection Bit[3]: Interpolation ON/OFF selection Bit[2]: Gamma function ON/OFF selection Bit[1]: Black defect auto correction ON/OFF Bit[0]: White defect auto correction ON/OFF
65	DSP_Ctrl2	00	RW	DSP Control Byte 2 Bit[7:4]: Reserved Bit[3]: Vertical DCW enable Bit[2]: Horizontal DCW enable Bit[1]: Vertical zoom out enable Bit[0]: Horizontal zoom out enable
66	DSP_Ctrl3	10	RW	DSP Control Byte 3 Bit[7]: UV output sequence option Bit[6]: Reserved Bit[5]: DSP color bar ON/OFF selection Bit[4]: Reserved Bit[3]: FIFO power down ON/OFF selection Bit[2]: Scaling module power down control 1 Bit[1]: Scaling module power down control 2 Bit[0]: Interpolation module power down control
67	DSP_Ctrl4	00	RW	DSP Control Byte 4 Bit[7:3]: Reserved Bit[2]: AEC selection 0: Before gamma 1: After gamma Bit[1:0]: Output selection 00: YUV or RGB 01: YUV or RGB 10: RAW8 11: RAW10
68	AWB_bias	00	RW	AWB BLC Level Clip
69	AWBCtrl1	5C	RW	AWB Control 1 Bit[7:4]: Reserved Bit[3]: G gain enable 0: AWB adjusts R and G gain 1: AWB adjusts R, G, and B gain Bit[2]: Max color gain 0: Max color gain is 2x 1: Max color gain is 4x Bit[1:0]: Reserved

Table 6 Device Control Register List (Sheet 10 of 13)

Address (Hex)	Register Name	Default (Hex)	R/W	Description
6A	AWBCtrl2	11	RW	AWB Control 2
6B	AWBCtrl3	A2	RW	AWB Control 3 Bit[7]: AWB mode select 0: Advanced AWB 1: Simple AWB
6C	AWBCtrl4	01	RW	AWB Control 4
6D	AWBCtrl5	50	RW	AWB Control 5
6E	AWBCtrl6	80	RW	AWB Control 6
6F	AWBCtrl7	80	RW	AWB Control 7
70	AWBCtrl8	0F	RW	AWB Control 8
71	AWBCtrl9	00	RW	AWB Control 9
72	AWBCtrl10	00	RW	AWB Control 10
73	AWBCtrl11	0F	RW	AWB Control 11
74	AWBCtrl12	0F	RW	AWB Control 12
75	AWBCtrl13	FF	RW	AWB Control 13
76	AWBCtrl14	FF	RW	AWB Control 14
77	AWBCtrl15	FF	RW	AWB Control 15
78	AWBCtrl16	10	RW	AWB Control 16
79	AWBCtrl17	70	RW	AWB Control 17
7A	AWBCtrl18	70	RW	AWB Control 18
7B	AWBCtrl19	F0	RW	AWB R Gain Range
7C	AWBCtrl20	F0	RW	AWB G Gain Range
7D	AWBCtrl21	F0	RW	AWB B Gain Range
7E	GAM1	0E	RW	Gamma Curve 1st Segment Input End Point 0x04 Output Value
7F	GAM2	1A	RW	Gamma Curve 2nd Segment Input End Point 0x08 Output Value
80	GAM3	31	RW	Gamma Curve 3rd Segment Input End Point 0x10 Output Value
81	GAM4	5A	RW	Gamma Curve 4th Segment Input End Point 0x20 Output Value
82	GAM5	69	RW	Gamma Curve 5th Segment Input End Point 0x28 Output Value
83	GAM6	75	RW	Gamma Curve 6th Segment Input End Point 0x30 Output Value
84	GAM7	7E	RW	Gamma Curve 7th Segment Input End Point 0x38 Output Value
85	GAM8	88	RW	Gamma Curve 8th Segment Input End Point 0x40 Output Value
86	GAM9	8F	RW	Gamma Curve 9th Segment Input End Point 0x48 Output Value
87	GAM10	96	RW	Gamma Curve 10th Segment Input End Point 0x50 Output Value

Table 6 Device Control Register List (Sheet 11 of 13)

Address (Hex)	Register Name	Default (Hex)	R/W	Description
88	GAM11	A3	RW	Gamma Curve 11th Segment Input End Point 0x60 Output Value
89	GAM12	AF	RW	Gamma Curve 12th Segment Input End Point 0x70 Output Value
8A	GAM13	C4	RW	Gamma Curve 13th Segment Input End Point 0x90 Output Value
8B	GAM14	D7	RW	Gamma Curve 14th Segment Input End Point 0xB0 Output Value
8C	GAM15	E8	RW	Gamma Curve 15th Segment Input End Point 0xD0 Output Value
8D	SLOP	20	RW	Gamma Curve Highest Segment Slope - calculated as follows: SLOP[7:0] = (0x100 - GAM15[7:0]) × 4/3
8E	DNSTh	00	RW	De-noise Threshold
8F	EDGE0	00	RW	Sharpness (Edge Enhancement) Control 0 Bit[7:5]: Reserved Bit[4:0]: Sharpness (edge enhancement) strength control
90	EDGE1	08	RW	Sharpness (Edge Enhancement) Control 1 Bit[7:4]: Reserved Bit[3:0]: Sharpness (edge enhancement) threshold detection
91	DNSOff	10	RW	Auto De-noise Threshold Control
92	EDGE2	1F	RW	Sharpness (Edge Enhancement) Strength Upper Limit
93	EDGE3	01	RW	Sharpness (Edge Enhancement) Strength Lower Limit
94	MTX1	2C	RW	Matrix Coefficient 1
95	MTX2	24	RW	Matrix Coefficient 2
96	MTX3	08	RW	Matrix Coefficient 3
97	MTX4	14	RW	Matrix Coefficient 4
98	MTX5	24	RW	Matrix Coefficient 5
99	MTX6	38	RW	Matrix Coefficient 6
9A	MTX_Ctrl	9E	RW	Matrix Control Bit[7]: Matrix double ON/OFF selection Bit[6]: Reserved Bit[5]: Sign bit for MTX6 Bit[4]: Sign bit for MTX5 Bit[3]: Sign bit for MTX4 Bit[2]: Sign bit for MTX3 Bit[1]: Sign bit for MTX2 Bit[0]: Sign bit for MTX1
9B	BRIGHT	00	RW	Brightness Control
9C	CNST	40	RW	Contrast Gain Gain × 0x20
9D	RSVD	XX	–	Reserved

Table 6 Device Control Register List (Sheet 12 of 13)

Address (Hex)	Register Name	Default (Hex)	R/W	Description
9E	UVADJ0	11	RW	Auto UV Adjust Control 0 Bit[7:4]: Auto UV adjust offset control 4 LSBs Bit[3:0]: Auto UV adjust threshold control
9F	UVADJ1	02	RW	Auto UV Adjust Control 1 Bit[7:3]: Auto UV adjust value Bit[2]: Reserved Bit[1]: Auto UV adjust stop control Bit[0]: Auto UV adjust offset control MSB
A0	SCAL0	00	RW	DCW Ratio Control Bit[7:4]: Reserved Bit[3:2]: Vertical down sampling select 00: Bypass 01: 1/2 vertical down sampling 10: 1/4 vertical down sampling 11: 1/8 vertical down sampling Bit[1:0]: Horizontal down sampling select 00: Bypass 01: 1/2 horizontal down sampling 10: 1/4 horizontal down sampling 11: 1/8 horizontal down sampling
A1	SCAL1	40	RW	Horizontal Zoom Out Control Horizontal zoom ratio = $\frac{0x40}{SCAL1[7:0]}$
A2	SCAL2	40	RW	Vertical Zoom Out Control Vertical zoom ratio = $\frac{0x40}{SCAL2[7:0]}$
A3	FIFOnlyM	06	RW	FIFO Manual Mode Delay Control
A4	FIFOnlyA	00	RW	FIFO Auto Mode Delay Control
A5	RSVD	XX	–	Reserved
A6	SDE	00	RW	Special Digital Effect Control Bit[7]: Reserved Bit[6]: Negative image enable Bit[5]: Gray scale image enable Bit[4]: V fixed value enable Bit[3]: U fixed value enable Bit[2]: Contrast/Brightness enable Bit[1]: Saturation enable Bit[0]: Hue enable
A7	USAT	40	RW	U Component Saturation Gain Gain × 0x40

Table 6 Device Control Register List (Sheet 13 of 13)

Address (Hex)	Register Name	Default (Hex)	R/W	Description
A8	VSAT	40	RW	V Component Saturation Gain Gain \times 0x40
A9	HUECOS	80	RW	Cosine value \times 0x80
AA	HUESIN	80	RW	Sine value \times 0x80
AB	SIGN	06	RW	Sign Bit for Hue and Brightness Bit[7:4]: Reserved Bit[3]: Brightness sign bit Bit[2]: Reserved Bit[1]: Sign bit for HueSin (in Cr' equation) Bit[0]: Sign bit for HueSin (in Cb' equation)
AC	DSPAuto	FF	RW	DSP Auto Function ON/OFF Control Bit[7]: AWB auto threshold control Bit[6]: De-noise auto threshold control Bit[5]: Sharpness (edge enhancement) auto strength control Bit[4]: UV adjust auto slope control Bit[3]: Auto scaling factor control (register SCAL0 (0xA0)) Bit[2]: Auto scaling factor control (registers SCAL1 (0xA1) and SCAL2 (0xA2)) Bit[1:0]: Reserved
NOTE: All other registers are factory-reserved. Please contact OmniVision Technologies for reference register settings.				

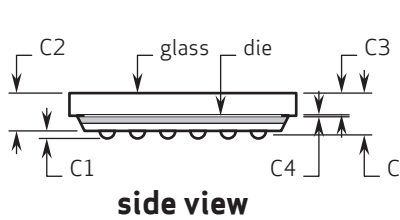
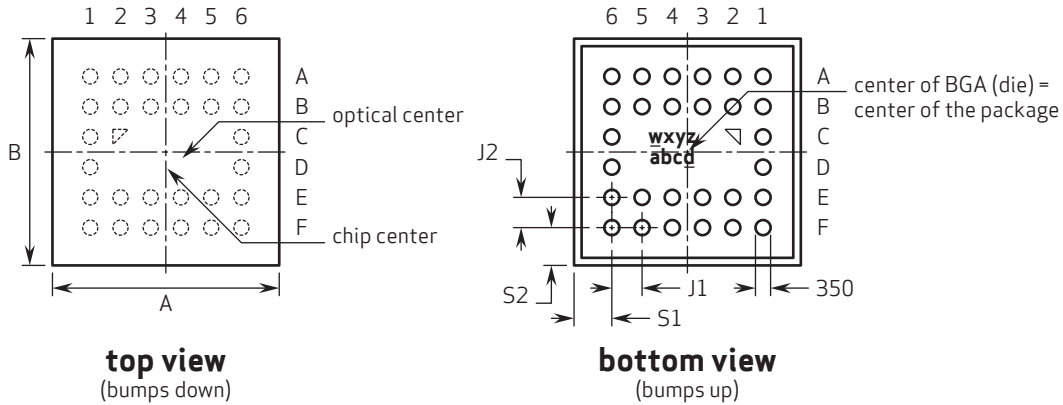
Package Specifications

The OV7725 uses a 28-ball Chip Scale Package 2 (CSP2). Refer to Figure 12 for package information, Table 7 for package dimensions and Figure 13 for the array center on the chip.



Note: For OVT devices that are lead-free, all part marking letters are lower case. Underlining the last digit of the lot number indicates CSP2 is used.

Figure 12 OV7725-CSP2 Package Specifications



note 1 part marking code:
 w - OVT product version
 x - year part was assembled
 y - month part was assembled
 z - wafer number
 abcd - last four digits of lot number

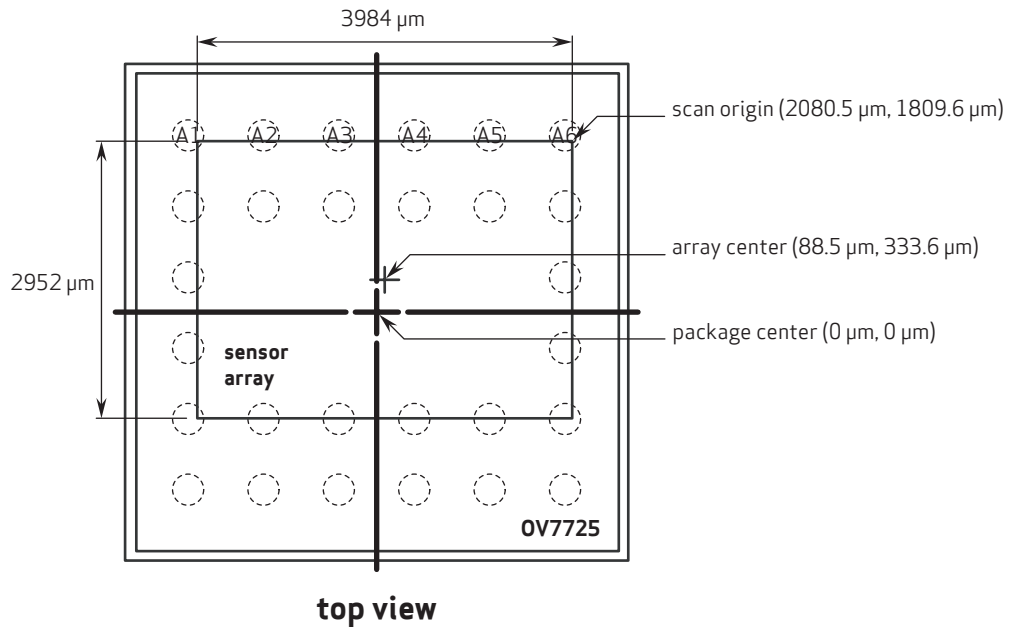
7725CSP_DS_012

Table 7 OV7725-CSP2 Package Dimensions

Parameter	Symbol	Minimum	Nominal	Maximum	Unit
Package body dimension X	A	5320	5345	5370	µm
Package body dimension Y	B	5240	5265	5290	µm
Package height	C	845	905	965	µm
Ball height	C1	150	180	210	µm
Package body thickness	C2	680	725	770	µm
Cover glass thickness	C3	375	400	425	µm
Airgap between cover glass and sensor	C4	30	45	60	µm
Ball diameter	D	320	350	380	µm
Total pin count	N		28		
Pin count X-axis	N1		6		
Pin count Y-axis	N2		6		
Pins pitch X-axis	J1		800		µm
Pins pitch Y-axis	J2		750		µm
Edge-to-pin center distance analog X	S1	643	673	703	µm
Edge-to-pin center distance analog Y	S2	728	758	788	µm

Sensor Array Center

Figure 13 OV7725 Sensor Array Center



note1 this drawing is not to scale and is for reference only.

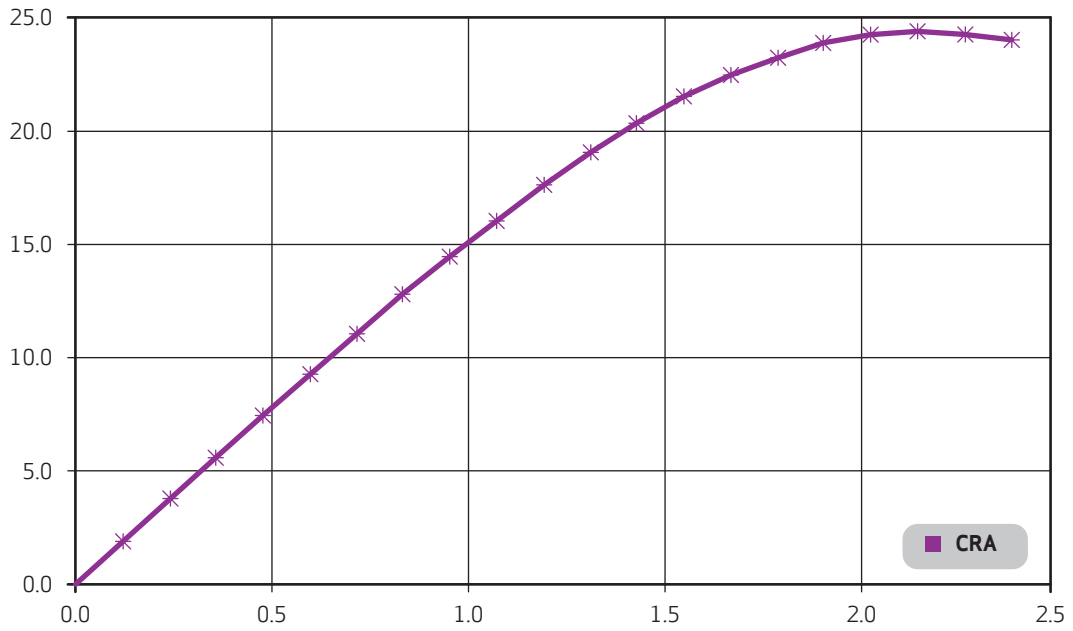
note2 as most optical assemblies invert and mirror the image, the chip is typically mounted with pins A1 to A6 oriented down on the PCB.

7725CSP_DS_013

Preliminary

Chief Ray Angle

Figure 14 OV7725 Chief Ray Angle



7725CSP_DS_014

Prelim

IR Reflow Ramp Rate Requirements

OV7725 Lead-Free Packaged Devices



Note: For OVT devices that are lead-free, all part marking letters are lower case

Figure 15 IR Reflow Ramp Rate Requirements

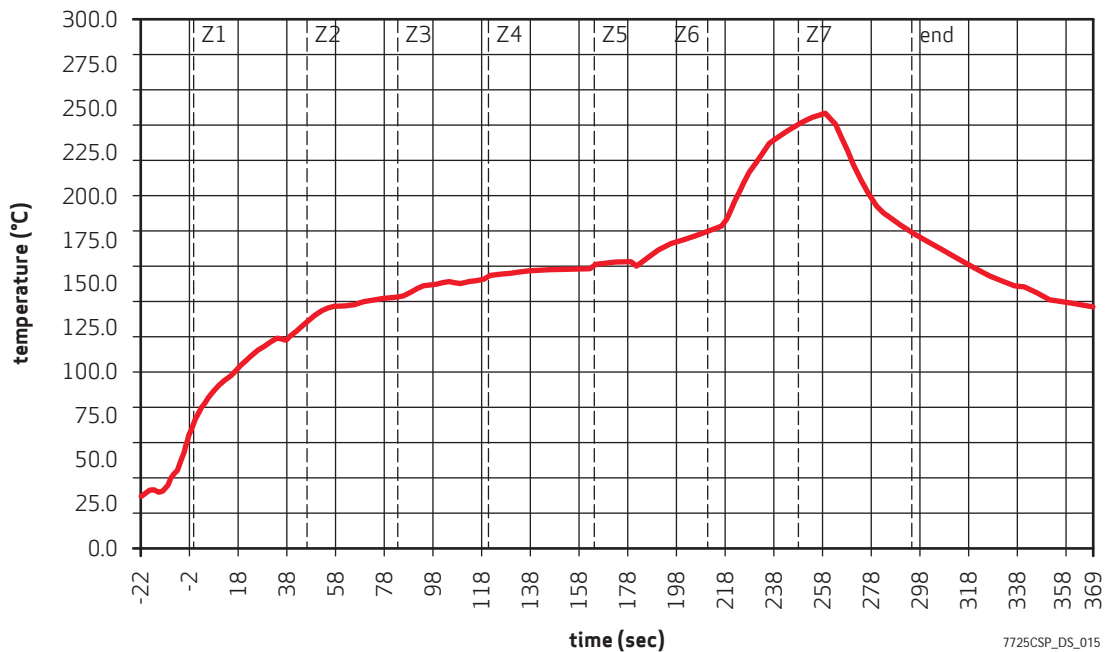


Table 8 Reflow Conditions

Condition	Exposure
Average ramp-up rate (30°C to 217°C)	Less than 3°C per second
> 100°C	Between 330 - 600 seconds
> 150°C	At least 210 seconds
> 217°C	At least 30 seconds (30 ~ 120 seconds)
Peak temperature	245°C
Cool-down rate (peak to 50°C)	Less than 6°C per second
Time from 30°C to 245°C	No greater than 390 seconds

Note:

- *All information shown herein is current as of the revision and publication date. Please refer to the OmniVision web site (<http://www.ovt.com>) to obtain the current versions of all documentation.*
- *OmniVision Technologies, Inc. reserves the right to make changes to their products or to discontinue any product or service without further notice (It is advisable to obtain current product documentation prior to placing orders).*
- *Reproduction of information in OmniVision product documentation and specifications is permissible only if reproduction is without alteration and is accompanied by all associated warranties, conditions, limitations and notices. In such cases, OmniVision is not responsible or liable for any information reproduced.*
- *This document is provided with no warranties whatsoever, including any warranty of merchantability, non-infringement, fitness for any particular purpose, or any warranty otherwise arising out of any proposal, specification or sample. Furthermore, OmniVision Technologies, Inc. disclaims all liability, including liability for infringement of any proprietary rights, relating to use of information in this document. No license, expressed or implied, by estoppels or otherwise, to any intellectual property rights is granted herein.*
- *'OmniVision', 'VarioPixel' and the OmniVision logo are registered trademarks of OmniVision Technologies, Inc. 'OmniPixel2' and 'CameraChip' are trademarks of OmniVision Technologies, Inc. All other trade, product or service names referenced in this release may be trademarks or registered trademarks of their respective holders. Third-party brands, names, and trademarks are the property of their respective owners.*

For further information, please feel free to contact OmniVision at info@ovt.com.

OmniVision Technologies, Inc.
1341 Orleans Drive
Sunnyvale, CA USA
(408) 542-3000



REVISION CHANGE LIST

Document Title: OV7725 Datasheet

Version: 1.0

DESCRIPTION OF CHANGES

- Initial Release



REVISION CHANGE LIST

Document Title: OV7725 (CSP2) Datasheet

Version: 1.1

DESCRIPTION OF CHANGES

The following changes were made to version 1.1:

- In Table 6 on page 11, deleted “(see GREEN[7:6] (0x03) for AGC [9:8])” from register description
- In Table 6 on page 11, changed name, default value, R/W status and description of register 0x04 to “RSVD”, “XX”, “–”, and “Reserved”, respectively
- In Table 6 on page 11, changed default value of register VER (0x0B) from “20” to “21”
- In Table 6 on page 12, changed default value of register COM3 (0x0C) from “00” to “10”
- In Table 6 on page 12, changed default value of register COM4 (0x0D) from “00” to “41”
- In Table 6 on page 13, changed description of register bits COM7[5:4] (0x12) from:
Bit[5]: ITU656 protocol ON/OFF selection
Bit[4]: Reserved
to:
Bit[5]: BT.656 protocol ON/OFF selection
Bit[4]: Sensor RAW
- In Table 6 on page 14, changed description of register bits COM9[6:4] (0x14) from:
Bit[6:4]: Automatic Gain Ceiling - maximum AGC value
000: 2x
001: 4x
010: 8x
011: 16x
100: 32x
101 64x
110: 128x
111: Not allowed
to:
Bit[6:4]: Automatic Gain Ceiling - maximum AGC value
000: 2x
001: 4x
010: 8x
011: 16x
100: 32x
101 Not allowed
110: Not allowed
111: Not allowed
- In Table 6 on page 14, changed name, default value, and R/W status of register 0x16 from “RSVD”, “XX”, and “–” to “REG16”, “00”, and “RW”, respectively



DESCRIPTION OF CHANGES (CONTINUED)

- In Table 6 on page 14, changed description of register 0x16 from “Reserved” to:
Register 16
Bit[7]: Bit shift test pattern options
Bit[6:0]: Reserved
- In Table 6 on page 14, changed description of register 0x17 from “Horizontal Sensor Size” to “Horizontal Frame (HREF column) Start 8 MSBs (2 LSBs are at HREF[5:4])”
- In Table 6 on page 14, changed description of register 0x18 from “Horizontal Frame (HREF column) end high 8-bit (low 2 bits are at HREF[1:0])” to “Horizontal Sensor Size (2 LSBs are at HREF[1:0])”
- In Table 6 on page 14, changed description of register 0x19 from “Vertical Frame (row) start high 8-bit (low 1 bit is at HREF[6])” to “Vertical Frame (row) Start 8 MSBs (1 LSB is at HREF[6])”
- In Table 6 on page 14, changed description of register 0x1A from “Vertical Sensor Size” to “Vertical Sensor Size (1 LSB is at HREF[2])”
- In Table 6 on page 15, changed default value of register COM11 (0x20) from “04” to “10”
- In Table 6 on page 15, changed name, default value, and R/W of register 0x28 from “RSVD”, “XX”, and “–” to “REG28”, “00”, and “RW”, respectively
- In Table 6 on page 15, changed description of register 0x28 from “Reserved” to:
Register 28
Bit[7:1]: Reserved
Bit[0]: Selection on the number of dummy rows, N
- In Table 6 on page 16, changed default value of register HREF (0x32) from “80” to “00”
- In Table 6 on page 16, changed description of register DM_LNL (0x33) from “Dummy Line Low 8 Bits” to “Dummy Row Low 8 Bits”
- In Table 6 on page 16, changed description of register DM_LNH (0x34) from “Dummy Line High 8 Bits” to “Dummy Row High 8 Bits”
- In Table 6 on page 16, changed default value of register COM13 (0x3E) from “F3” to “E2”
- In Table 6 on page 16, changed description of register COM13 (0x3E) from:
Common Control 13
Bit[7]: Analog processing channel BLC ON/OFF control
Bit[6]: ADC channel BLC ON/OFF control
Bit[5:0]: Reserved
to:
Common Control 13
Bit[7]: BLC enable
Bit[6]: ADC channel BLC ON/OFF control
Bit[5]: Analog processing channel BLC ON/OFF control
Bit[4:3]: Reserved
Bit[2]: ABLC gain trigger enable
Bit[1:0]: Reserved



DESCRIPTION OF CHANGES (CONTINUED)

- In Table 6 on page 17, changed names of registers 0x46, 0x47, 0x48, 0x49, 0x4A, and 0x4B from “LCC0”, “LCC1”, “LCC2”, “LCC3”, “LCC4”, and “LCC5” to “LC_CTR”, “LC_XC”, “LC_YC”, “LC_COEF”, “LC_RAD1”, and “LC_COEFB”
- In Table 6 on page 17, changed description of register 0x47 from “Lens Correction Option 1 – X Coordinate of Lens Correction Center Relative to Array Center” to:
X Coordinate of Lens Correction Center Relative to Array Center
Bit[7]: Sign bit
0: Positive
1: Negative
Bit[6:0]: X coordinate of lens correction center relative to array center
- In Table 6 on page 17, changed description of register 0x48 from “Lens Correction Option 2 – Y Coordinate of Lens Correction Center Relative to Array Center” to:
Y Coordinate of Lens Correction Center Relative to Array Center
Bit[7]: Sign bit
0: Positive
1: Negative
Bit[6:0]: Y coordinate of lens correction center relative to array center
- In Table 6 on page 17, changed description of register 0x49 from “Lens Correction Option 3” to “Lens Correction Coefficient”
- In Table 6 on page 17, changed description of register 0x4A from “Lens Correction Option 4 – radius ...” to “Lens Correction Radius – radius ...”
- In Table 6 on page 17, changed description of register 0x4B from “Lens Correction Option 5 (effective ...” to “Lens Correction B Channel Compensation Coefficient (effective ...”
- In Table 6 on page 18, changed name of register 0x4C from “LCC6” to “LC_COEFR”
- In Table 6 on page 18, changed description of register 0x4C from “Lens Correction Option 6 (effective ...” to “Lens Correction R Channel Compensation Coefficient (effective ...”
- In Table 6 on page 18, changed default value of register AREF0 (0x4E) from “F0” to “EF”
- In Table 6 on page 18, changed default value of register AREF2 (0x50) from “30” to “60”
- In Table 6 on page 18, changed default value of register AREF6 (0x54) from “3A” to “7A”
- In Table 6 on page 19, changed description of register bit DSP_Ctrl1[5] (0x64) from “YUV444 to 422 UV channel option selection” to “SDE enable”
- In Table 6 on page 19, changed description of register bits DSP_Ctrl2[3:0] (0x65) from:
Bit[3:0]: Scaling control
to:
Bit[3]: Vertical DCW enable
Bit[2]: Horizontal DCW enable
Bit[1]: Vertical zoom out enable
Bit[0]: Horizontal zoom out enable



DESCRIPTION OF CHANGES (CONTINUED)

- In Table 6 on page 19, changed description of register DSP_Ctrl4 (0x67) from:
DSP Control Byte 4
to:
DSP Control Byte 4
Bit[7:3]: Reserved
Bit[2]: AEC selection
0: Before gamma
1: After gamma
Bit[1:0]: Output selection
00: YUV or RGB
01: YUV or RGB
10: RAW8
11: RAW10
- In Table 6 on page 20, changed description of register AWBCtrl1 (0x69) from:
AWB Control 1
to:
AWB Control 1
Bit[7:4]: Reserved
Bit[3]: G gain enable
0: AWB adjusts R and G gain
1: AWB adjusts R, G, and B gain
Bit[2]: Max color gain
0: Max color gain is 2x
1: Max color gain is 4x
Bit[1]: Reserved
Bit[0]: AWB mode select
0: Advanced AWB mode
1: Normal AWB mode
- In Table 6 on page 21, changed description of register EDGE0 (0x8F) from:
Edge Enhancement Control 0
Bit[7:5]: Reserved
Bit[4:0]: Edge enhancement strength control
to
Sharpness (Edge Enhancement) Control 0
Bit[7:5]: Reserved
Bit[4:0]: Sharpness (edge enhancement) strength control
- In Table 6 on page 21, changed description of register EDGE1 (0x90) from:
Edge Enhancement Control 1
Bit[7:4]: Reserved
Bit[3:0]: Edge enhancement threshold control
to:
Sharpness (Edge Enhancement) Control 1
Bit[7:4]: Reserved
Bit[3:0]: Sharpness (edge enhancement) threshold detection
- In Table 6 on page 21, changed description of register 0x92 from “Edge Enhancement Strength Low Point Control” to “Sharpness (Edge Enhancement) Strength Upper Limit”



DESCRIPTION OF CHANGES (CONTINUED)

- In Table 6 on page 21, changed description of register 0x93 from “Edge Enhancement Strength High Point Control” to “Sharpness (Edge Enhancement) Strength Lower Limit”
- In Table 6 on page 22, added “gain × 0x20” to description of register CNST (0x9C)
- In Table 6 on page 22, changed name, default value, R/W status and description of register 0x9D to “RSVD”, “XX”, “–”, and “Reserved”, respectively
- In Table 6 on page 22, changed description of register SCAL0 (0xA0) from “Scaling Control 0” to:

DCW Ratio Control

- Bit[7:4]: Reserved
- Bit[3:2]: Vertical down sampling select
 - 00: Bypass
 - 01: 1/2 vertical down sampling
 - 10: 1/4 vertical down sampling
 - 11: 1/8 vertical down sampling
- Bit[1:0]: Horizontal down sampling select
 - 00: Bypass
 - 01: 1/2 horizontal down sampling
 - 10: 1/4 horizontal down sampling
 - 11: 1/8 horizontal down sampling

- In Table 6 on page 22, changed description of register SCAL1 (0xA1) from “Scaling Control 1 – for horizontal scaling control” to:

Horizontal Zoom Out Control

$$\text{Horizontal zoom ratio} = \frac{0x40}{\text{SCAL1}[7:0]}$$

- In Table 6 on page 22, changed description of register SCAL2 (0xA2) from “Scaling Control 2 – for vertical scaling control” to:

Vertical Zoom Out Control

$$\text{Vertical zoom ratio} = \frac{0x40}{\text{SCAL2}[7:0]}$$

- In Table 6 on page 23, changed description of register SDE (0xA6) from “Special Digital Effect Control” to:

Special Digital Effect Control

- Bit[7]: Reserved
- Bit[6]: Negative image enable
- Bit[5]: Gray scale image enable
- Bit[4]: V fixed value enable
- Bit[3]: U fixed value enable
- Bit[2]: Contrast/Brightness enable
- Bit[1]: Saturation enable
- Bit[0]: Hue enable

- In Table 6 on page 23, added “gain × 0x40” to description of registers USAT (0xA7) and VSAT (0xA8)



DESCRIPTION OF CHANGES (CONTINUED)

- In Table 6 on page 23, changed name of register 0xA9 from “HUE0” to “HUECOS”
- In Table 6 on page 23, changed name of register 0xAA from “HUE1” to “HUESIN”
- In Table 6 on page 23, changed description of register 0xA9 from “Hue Control 0” to “Cosine value \times 0x80”
- In Table 6 on page 23, changed description of register 0xAA from “Hue Control 1” to “Sine value \times 0x80”
- In Table 6 on page 23, changed description of register SIGN (0xAB) from:
Sign Bit for Hue and Contrast
Bit[7:4]: Reserved
Bit[3:2]: Contrast sign bit
Bit[1:0]: Hue sign bit
to:
Sign Bit for Hue and Brightness
Bit[7:4]: Reserved
Bit[3]: Brightness sign bit
Bit[2]: Reserved
Bit[1]: Sign bit for HueSin (in Cr' equation)
Bit[0]: Sign bit for HueSin (in Cb' equation)
- In Table 6 on page 23, changed description of register bit DSPAuto[5] (0xAC) from “Edge enhancement auto strength control” to “Sharpness (edge enhancement) auto strength control”
- In Figure 12 on page 24, changed underlined ‘w’ in the drawing and in the notes



REVISION CHANGE LIST

Document Title: OV7725 (CSP2) Datasheet

Version: 1.2

DESCRIPTION OF CHANGES

The following changes were made to version 1.1:

- Under Key Specifications on page 1, changed Sensitivity from “TBD” to “3.0 V/(Lux • sec)”
- Under Key Specifications on page 1, changed S/N Ratio from “TBD” to “50 dB”
- Under Key Specifications on page 1, changed Dynamic Range from “TBD” to “60 dB”
- Under Key Specifications on page 1, changed Dark Current from “TBD” to “40 mV/s”
- Under Key Specifications on page 1, changed Well Capacity from “TBD” to “26 Ke⁻”
- In Table 6 on page 11, changed description of register bits COM2[3:2] (0x09) to “Reserved”
- In Table 6 on page 12, changed description of register bits COM5[3:2] (0x0E) from:
Bit[3:2]: Auto frame rate active point control
00: Add frame when AGC reaches 2x gain
01: Add frame when AGC reaches 4x gain
10: Add frame when AGC reaches 8x gain
11: Add frame when AGC reaches 16x gain
to:
Bit[3:2]: Auto frame rate active point control
00: Not allowed
01: Add frame when AGC reaches 4x gain
10: Add frame when AGC reaches 8x gain
11: Add frame when AGC reaches 16x gain