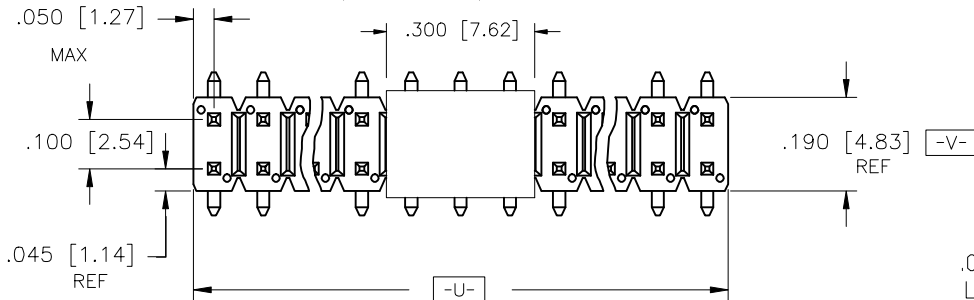
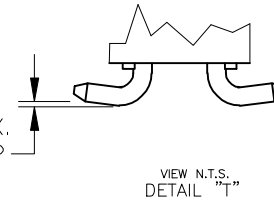


PRODUCT NO.
XXXXX-YYYHPLF

- LEAD FREE OPTION (SEE NOTE 9 & 10)
- PACKAGING OPTIONS (SEE NOTE 6)
- HIGH TEMPERATURE PLASTIC
- NO. OF POSITIONS (SEE NOTE 5)
- PLATING NUMBER (SEE SHEET 2)
- BASE PART NUMBER (SEE SHEET 4)



.000 to .008 MAX.
LEG TIP TOE UP
TYPICAL



$\square .025 \pm .001$ [0.64 ± 0.03]
TYP

$\oplus \varnothing .020/0.51$ (M) U (M) V
NOTE 4

PICK-UP CAP
(IF REQ'D)

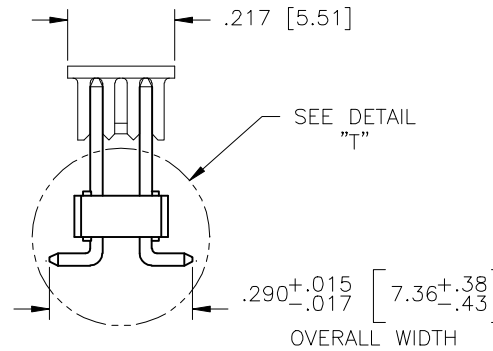
MATING LGTH.
DIM "H" ±.008 [0.20]

DIM "E"

NOTE 3

.100 [2.54] REF

$\nabla .004/0.10$



mat'l. code		surface		tolerance		projection		product family	
-		ISO 1302		ISO 406		ISO 1501		BERGSTIK	
ltr	ecn no	dr	date	tolerances unless otherwise specified					
A	V20562	GIP	3/22/02	angles	.XX±.01/.X±.3		INCH/MM		title
B	V20778	GIP	7/09/02	linear	.XXX±.005/.XX±0.13		scale 1:1		BERGSTIK® II HDR. D/R
C	M05-0118	MHT	6/02/05	0'±2'	.XXX±.0020/.XXX±.05				.100 DUP. VERT. SMT.
D	M06-0269	MNR	7/17/06	dr	G. PETERS	3/22/02	FCJ		dwg no
E	M06-0356	MHT	9/08/06	engr	H. SUNDY	3/22/02	71276		sheet 1 of 4 size
F	M08-0291	MHT	10/06/08	chr	H. SUNDY	3/22/02	A3		
sheet		revision		F	F	F	type		
index	sheet	1	2	3	4		Product Customer Drawing		



Copyright FCJ

form A3

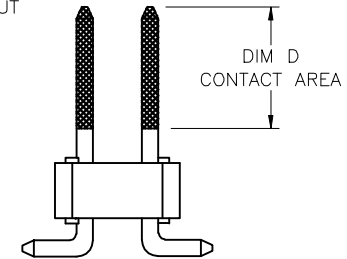
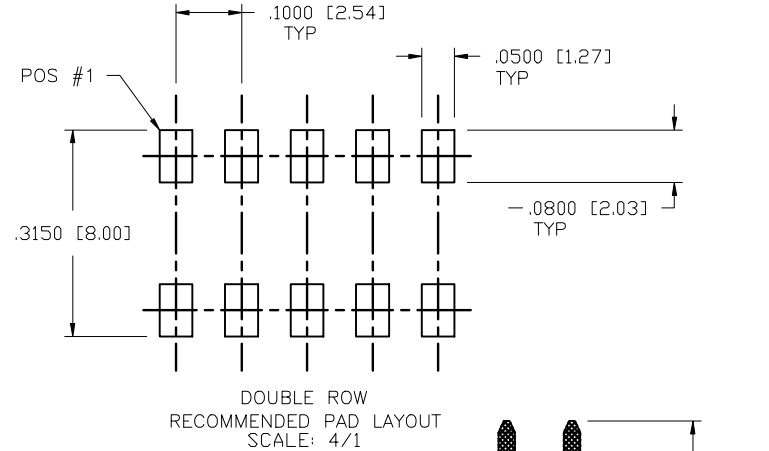
PRODUCT NUMBER	CONTACT AREA "DIM D" PLATING	TAIL PLATING
XXXXX-1YY	30u"/0.76um Au OVER 50u"/1.27um Ni.	100u"/2.54um Sn OVER 50u"/1.27um Ni.
XXXXX-2YY	15u"/0.38um Au OVER 50u"/1.27um Ni.	100u"/2.54um Sn OVER 50u"/1.27um Ni.
XXXXX-4YY	120u"/3.05um Sn OVER 50u"/1.27um Ni.	100u"/2.54um Sn OVER 50u"/1.27um Ni.
XXXXX-1YYLF	30u"/0.76um Au OVER 50u"/1.27um Ni.	100u"/2.54um Sn OVER 50u"/1.27um Ni.
XXXXX-2YYLF	15u"/0.38um Au OVER 50u"/1.27um Ni.	100u"/2.54um Sn OVER 50u"/1.27um Ni.
XXXXX-4YYLF	120u"/3.05um Sn OVER 50u"/1.27um Ni.	100u"/2.54um Sn OVER 50u"/1.27um Ni.

SEE NOTE 8 & 12

SEE NOTE 8 & 12

NOTES:

- ① BODY MATERIAL: GLASS FIBER REINFORCED PCT FLAME RETARDENT PER UL-94V-0. COLOR: BLACK
OR
MINERAL FILL LCP FLAME RETARDENT PER UL-94V-0. COLOR: BLACK
- ② PIN MATERIAL: PHOS-BRONZE.
- ③ 2 Lbs / 0.9 Kg MIN PIN RETENTION IN EITHER DIRECTION.
- ④ MEASURED WITH PART IN RESTRAINED CONDITION.
- ⑤ NUMBER OF POSITIONS FROM 4(2X2) THRU 40(2X20) EXCEPT TAPE-ON-REEL AVAILABLE 4(2X2) THRU 34(2X17) ONLY.
- ⑥ PACKAGING OPTIONS: CHECK SPECIFIC PART NUMBERS FOR AVAILABILITY. PART NUMBERS WITHOUT A SUFFIX ARE PACKAGED IN POLY BAGS. PART NUMBERS FOLLOWED BY A "T" SUFFIX ARE PACKAGED IN TUBES. PART NUMBERS FOLLOWED BY A "V" SUFFIX ARE PACKAGED TAPE-ON-REEL WITH A PICK-UP CAP INSTALLED. THE "Z" DIGIT FOLLOWING THE "V" INDICATES CUSTOMER SPECIAL TAPE.
- ⑦ CONTACT MARKETING BEFORE ORDERING ODD POSITION PART NUMBERS (2X3,2X5,2X7,ETC.).
- ⑧ TIN LEAD PLATED PARTS XXXX-4XXH WILL NOT HAVE PLATING ON TWO SIDES OF THE PIN TIP TYPICAL BOTH ENDS.
- ⑨ PART NUMBER WITH "LF" SUFFIX AT THE END ARE LEAD FREE.
- ⑩ THIS PRODUCT MEETS EUROPEAN UNION DIRECTIVES AND OTHER COUNTRY REGULATION AS DESCRIBED IN GS-22-008.
11. THE HOUSING WILL WITHSTAND EXPOSURE TO 260°C PEAK TEMPERATURE FOR 20 SECONDS IN A CONVECTION, INFRA-RED OR VAPOR PHASE REFLOW OVEN. SEE APPLICATION NOTES/PROCEDURES IF THEY ARE AVAILABLE
- ⑫ "THIS PRODUCT HAS 100% PURE TIN PLATING IN THE INTERFACE AND HAS NOT BEEN TESTED FOR WHISKER GROWTH IN ALL INTERCONNECT ENVIRONMENTS."

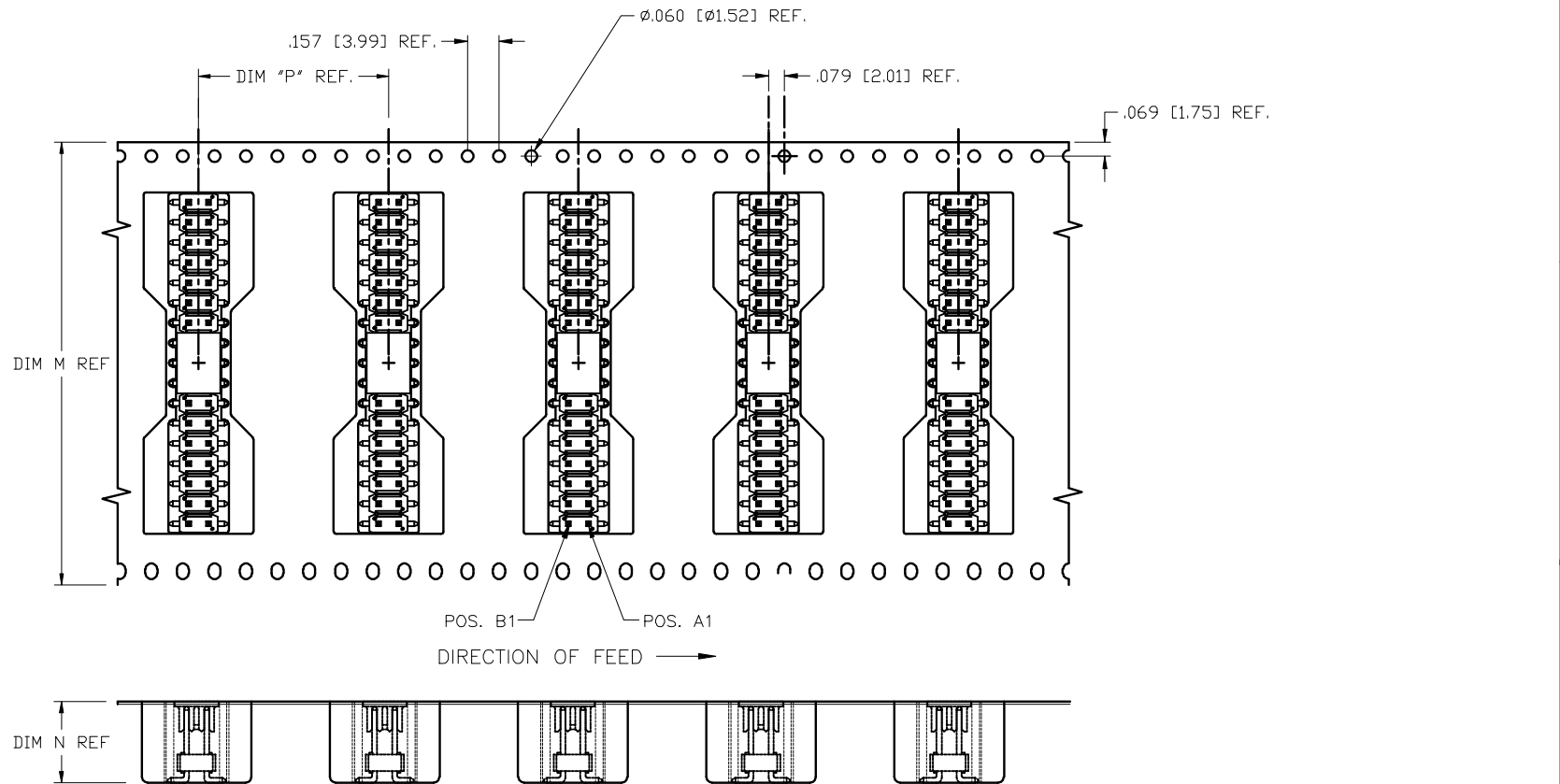


DOUBLE ROW SMT
END VIEW

mat'l. code		surface		tolerance		projection		product family	
-		ISO 1302		ISO 406		1st angle		BERGSTIK	
ltr		ecp no		date		tolerances unless otherwise specified		title	
F						.XX±.01/.X±.3		BERGSTIK® II HDR. D/R	
						.XXX±.005/.XX±0.13		.100 DUP. VERT. SMT.	
						.XXX±.0020/.XXX±.05		scale 1:1	
								dwg no	
								71276	
								sheet 2 of 4	
								size	
								A3	
								type	
								Product Customer Drawing	
sheet		revision							
index		sheet							

Copyright FCJ
FCJconnect.com

PRODUCT NUMBER
SEE TABLE



Copyright FCI

mat'l. code		surface	tolerance	projection	product family
-		ISO 1302	ISO 406		BERGSTIK
			ISO 1101		
ltr	ecn no	dr	date	tolerances unless otherwise specified	title
F				linear .XX±.01/.X±.3 .XXX±.005/.XX±0.13 .XXX±.0020/.XXX±.05	BERGSTIK® II HDR. D/R
				angles	.100 DUP. VERT. SMT.
				0°±2'	scale 1:1
				dr	dwg no
				engr	sheet 3 of 4 size
				chr	A3
				appd	type
					Product Customer Drawing
sheet	revision				
index	sheet				

PRODUCT NUMBER	MATING LENGTH DIM "H"	CONTACT AREA DIM "D"	DIM "E"	TAPE WIDTH DIM "M"	POCKET DEPTH DIM "N"	PACKAGING
71276-YYYH	.230/5.84	.200/5.08	.150/3.81	2.205/56.00	.433/11.00	POLY BAGS/TAPE ON REEL
71276-408HV	.230/5.84	.200/5.08	.150/3.81	.945/24.00	.433/11.00	TAPE ON REEL
71276-410HV2	.230/5.84	.200/5.08	.150/3.81	.945/24.00	.415/10.54	TAPE ON REEL
71277-YYYH	.318/8.08	.288/7.32	.150/3.81	2.205/56.00	.524/13.28	POLY BAGS/TAPE ON REEL, NOTE 7
71276-YYYHLF	.230/5.84	.200/5.08	.150/3.81	2.205/56.00	.433/11.00	POLY BAGS/TAPE ON REEL
71276-408HVLf	.230/5.84	.200/5.08	.150/3.81	.945/24.00	.433/11.00	TAPE ON REEL
71276-410HV2LF	.230/5.84	.200/5.08	.150/3.81	.945/24.00	.415/10.54	TAPE ON REEL
71277-YYYHLF	.318/8.08	.288/7.32	.150/3.81	2.205/56.00	.524/13.28	POLY BAGS/TAPE ON REEL, NOTE 7



Copyright FCJ

mat'l. code		surface ISO 1302		tolerance ISO 406 ISO 1101		projection		product family BERGSTIK	
ltr	ecn no	dr	date	tolerances unless otherwise specified					
F				angles	linear	.XX±.01/.X±.3		INCH/MM	
				0'±.2'		.XXX±.005/.XX±0.13		scale 1:1	
						.XXX±.0020/.XXX±.05			
		dr	G. PETERS	3/22/02					
		engr	H. SUNDY	3/22/02					
		chr	H. SUNDY	3/22/02					
		appd	H. SUNDY	3/22/02					
sheet	revision	dwg no							
index	sheet	71276							
						sheet 4 of 4		size A3	
						type		Product Customer Drawing	

form A3 1 2 3 4 5 6