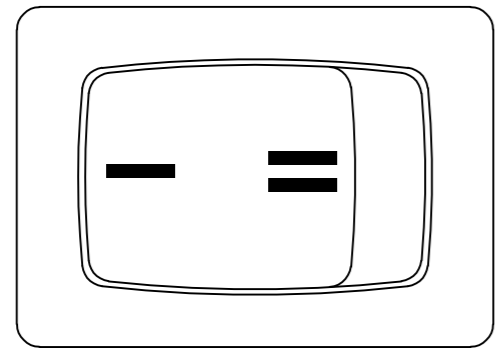
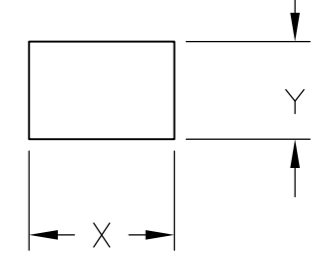


THIS DRAWING IS UNPUBLISHED. RELEASED FOR PUBLICATION
 © COPYRIGHT - By - ALL RIGHTS RESERVED.

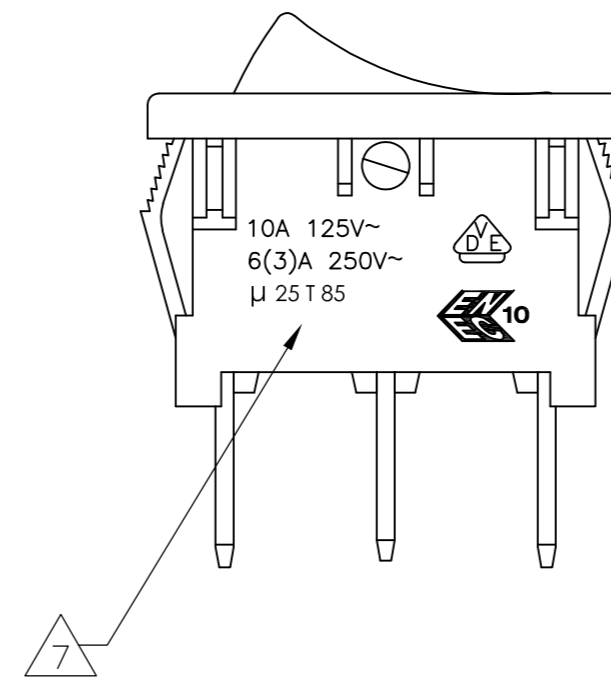
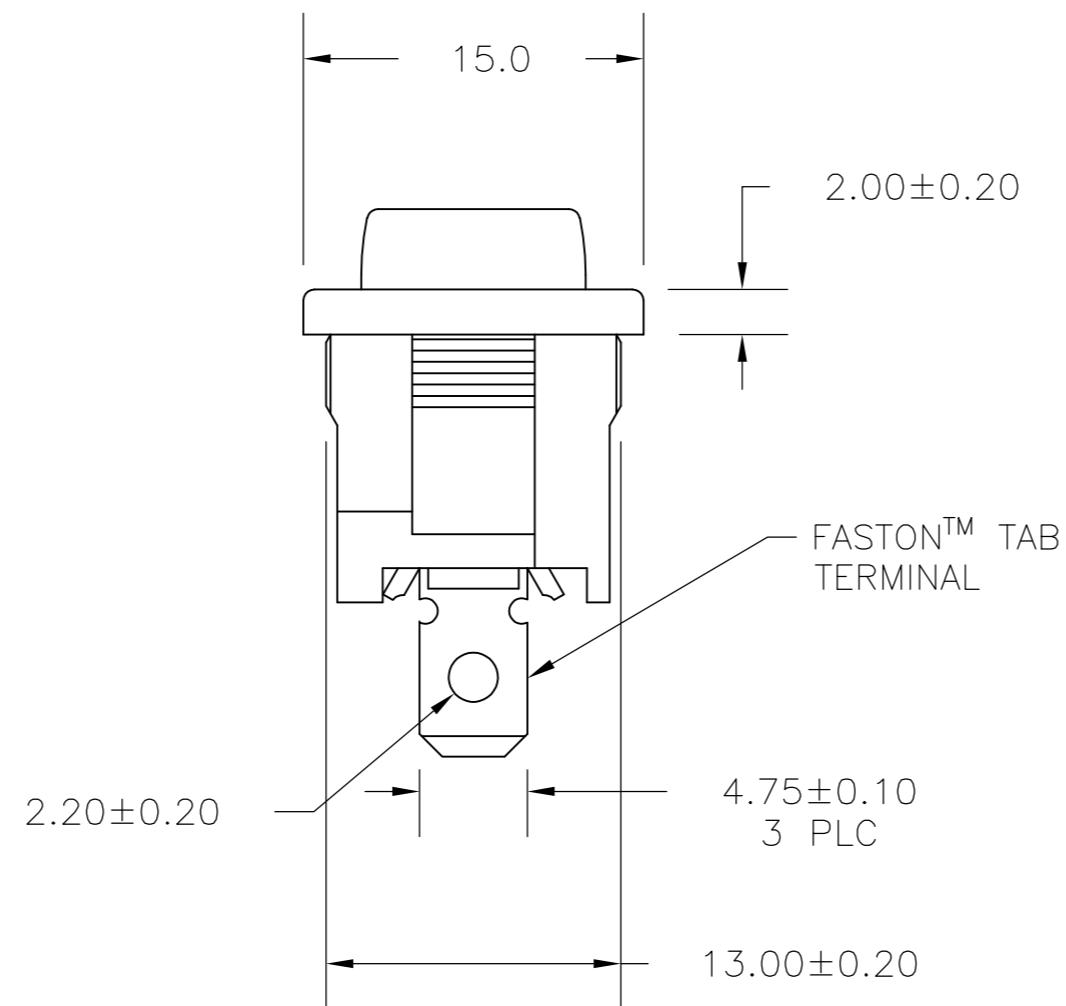
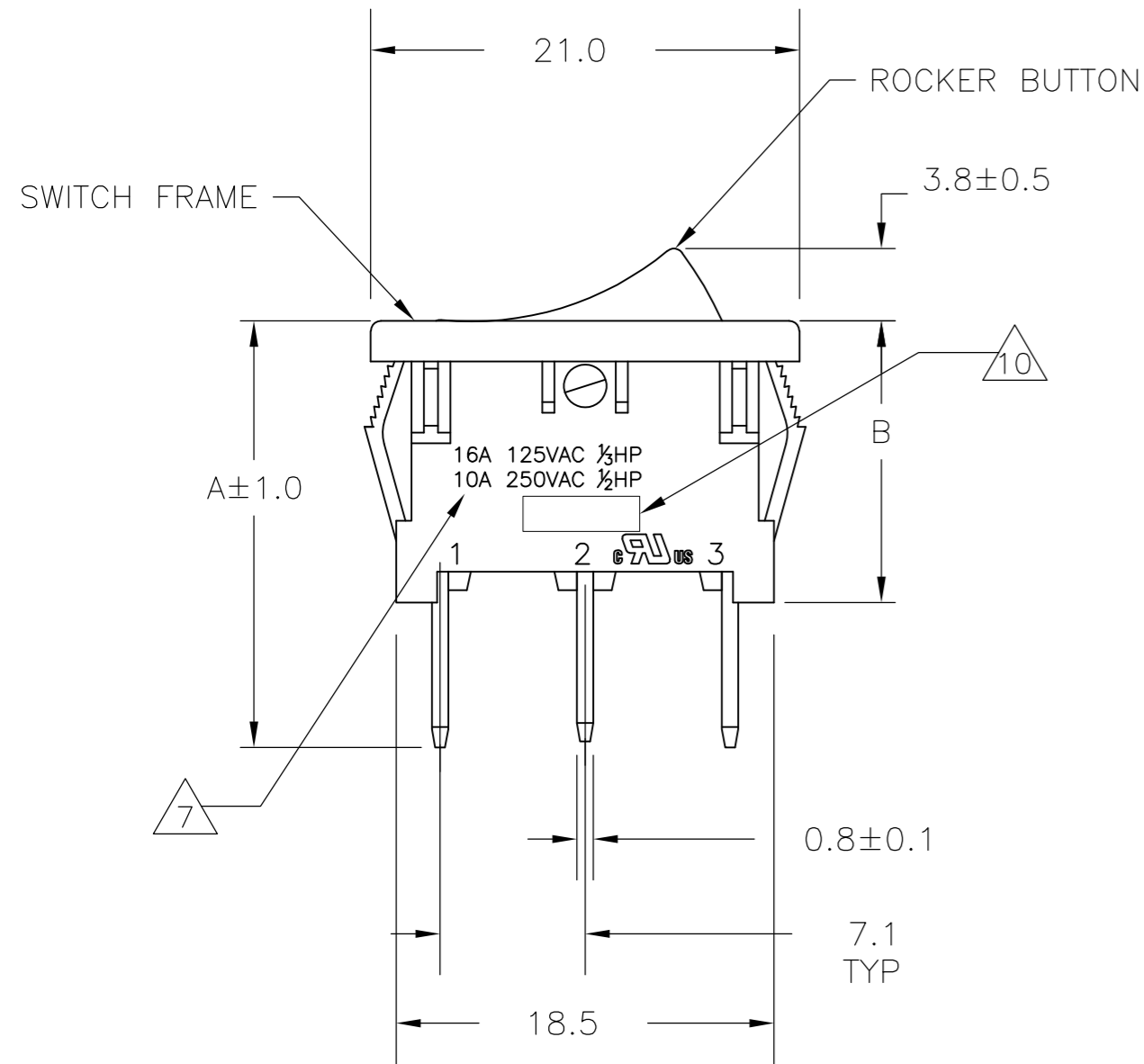
LOC	DIST	REVISIONS			
P	LTR	DESCRIPTION	DATE	DWN	APVD
AD	00	L1	REVISED PER ECO-11-004820	11MAR11	RK HMR



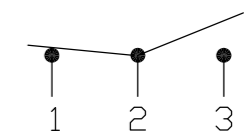
PANEL CUT OUT



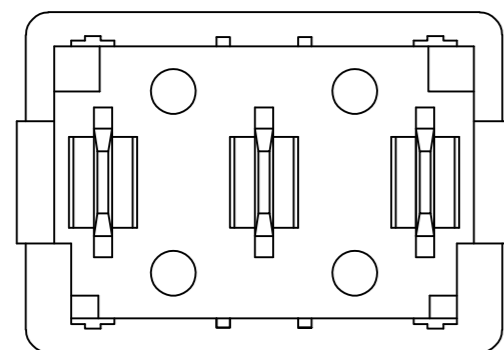
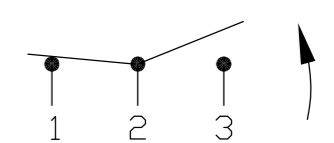
2.00-3.00	19.8-0.1	13.0+0.1
1.25-2.00	19.4-0.1	13.0+0.1
0.75-1.25	19.2-0.1	13.0+0.1
PANEL THICKNESS	X	Y



SWITCH FUNCTION D1
CIRCUIT DIAGRAM



SWITCH FUNCTION D2
CIRCUIT DIAGRAM



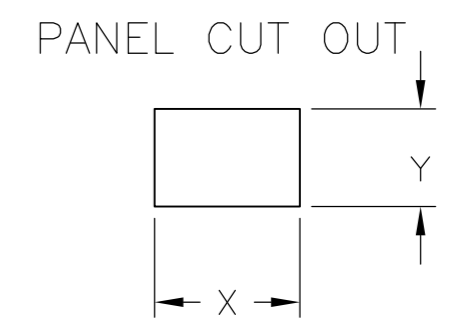
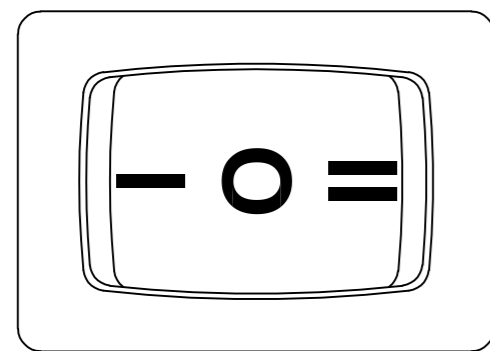
1571079-5 SHOWN
(TWO ROCKER BUTTON POSITIONS)

THIS DRAWING IS A CONTROLLED DOCUMENT.		DWN M.BINNER 25FEB2002		
DIMENSIONS: mm		CHK J.MOSIER		
TOLERANCES UNLESS OTHERWISE SPECIFIED:		APVD -	NAME POWER ROCKER SWITCH, 13.0mm X 19.2mm	
0 PLC ± -	1 PLC ± 0.30	PRODUCT SPEC NOT APPLICABLE	PANEL CUT-OUT SIZE, SINGLE POLE, DOUBLE-THROW, THREE TERMINALS, NON-ILLUMINATED	
2 PLC ± 0.05	3 PLC ± -	APPLICATION SPEC NOT APPLICABLE	SIZE A2	CAGE CODE 00779
4 PLC ± -	ANGLES ± -	FINISH 2	DRAWING NO C=1571079	RESTRICTED TO -
MATERIAL 1	FINISH 2	WEIGHT -	SCALE 3:1	SHEET 1 OF 3
CUSTOMER DRAWING			REV L1	

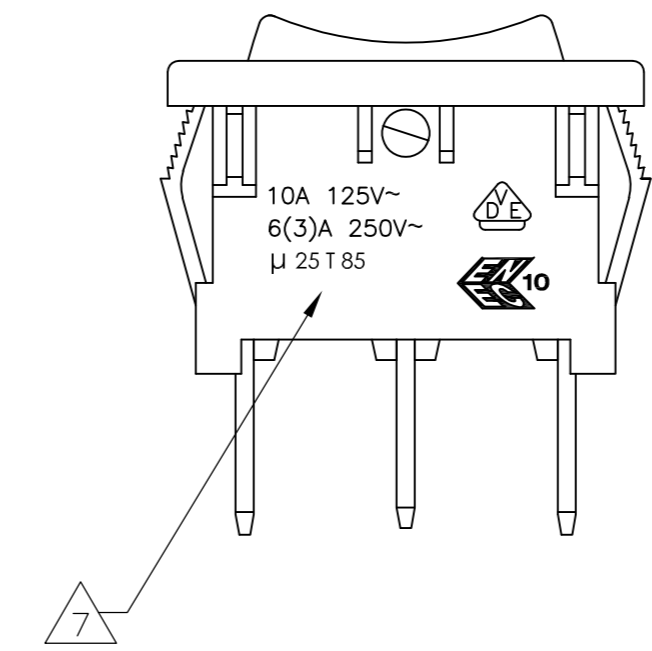
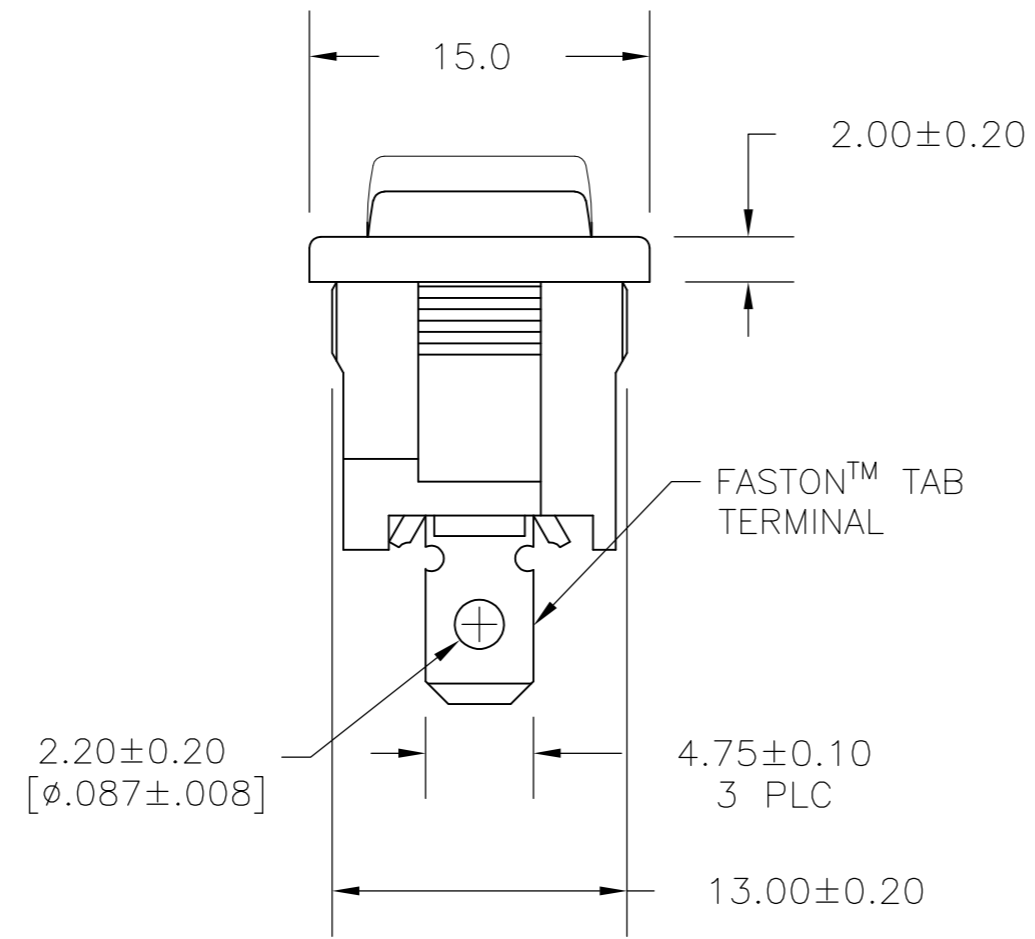
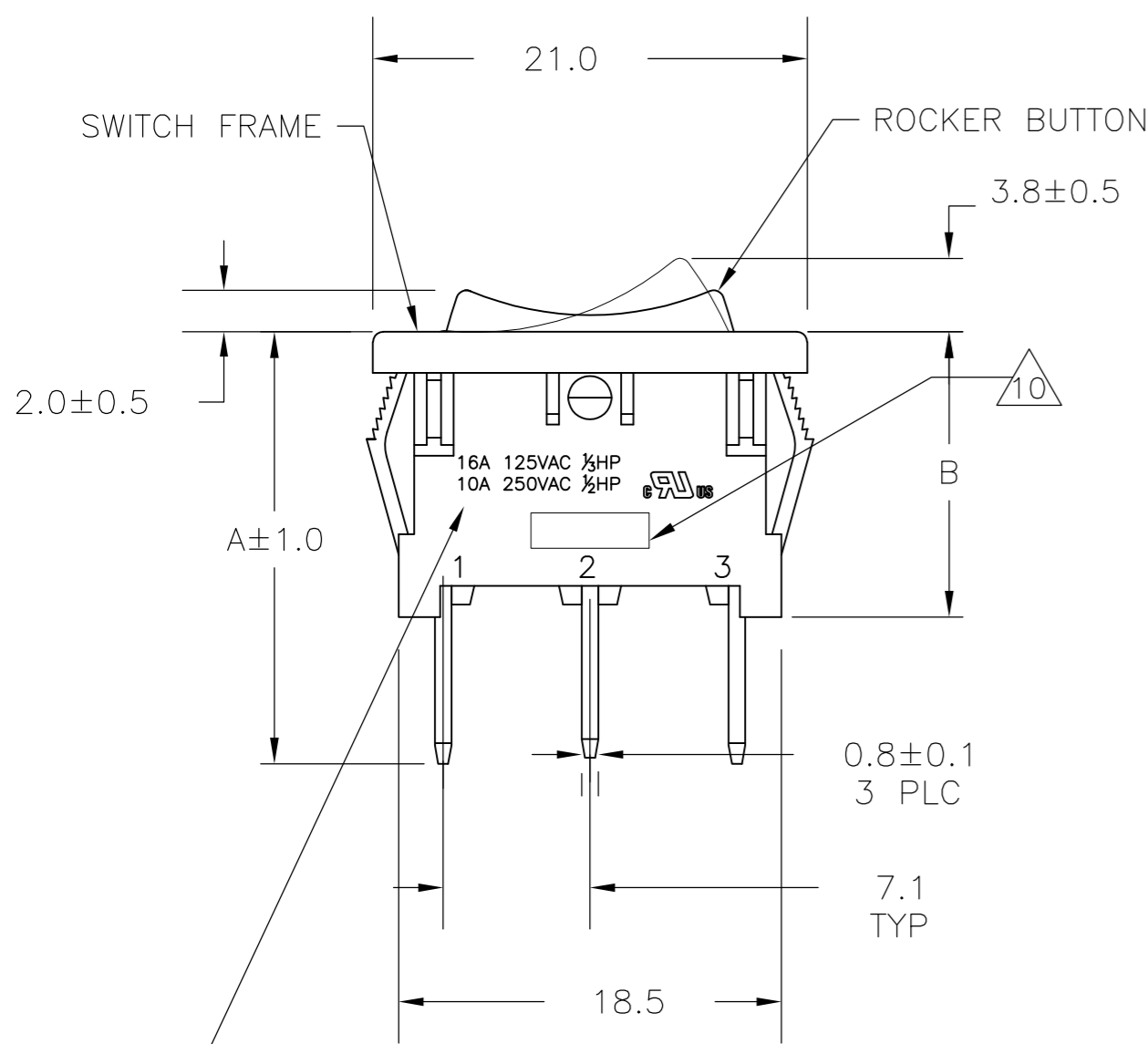
1571079

THIS DRAWING IS UNPUBLISHED. RELEASED FOR PUBLICATION
 © COPYRIGHT - By - ALL RIGHTS RESERVED.

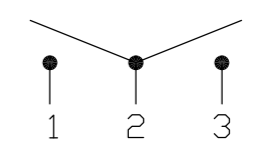
LOC		DIST		REVISIONS			
P	LTR	DESCRIPTION	DATE	DWN	APVD		
-	-	SEE SHEET 1	-	-	-		



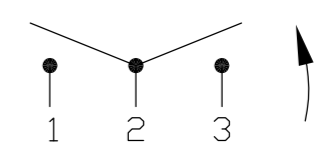
2.00-3.00	19.8-0.1	13.0+0.1
1.25-2.00	19.4-0.1	13.0+0.1
0.75-1.25	19.2-0.1	13.0+0.1
PANEL THICKNESS	X	Y



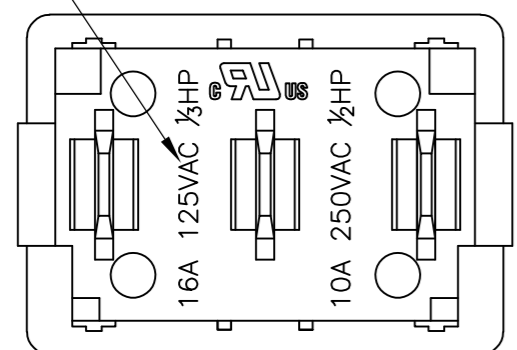
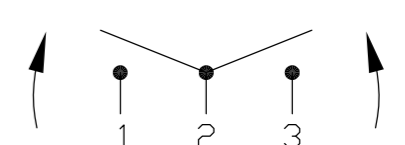
SWITCH FUNCTION D3
CIRCUIT DIAGRAM



SWITCH FUNCTION D4
CIRCUIT DIAGRAM



SWITCH FUNCTION D5
CIRCUIT DIAGRAM



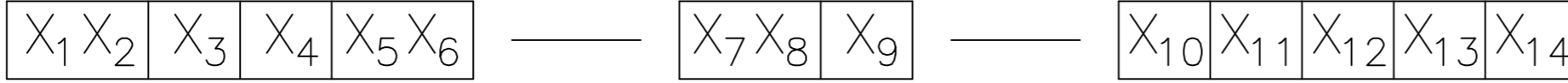
1-1571079-4 SHOWN
(THREE ROCKER BUTTON POSITIONS)

THIS DRAWING IS A CONTROLLED DOCUMENT.		DWN	M.BINNER	25FEB2002	STE TE Connectivity	
DIMENSIONS: mm		CHK	J.MOSIER	APVD		
TOLERANCES UNLESS OTHERWISE SPECIFIED:		PRODUCT SPEC			POWER ROCKER SWITCH, 13.0mm X 19.2mm	
0 PLC ± -		APPLICATION SPEC			PANEL CUT-OUT SIZE, SINGLE POLE, DOUBLE-THROW, THREE TERMINALS, NON-ILLUMINATED	
1 PLC ± 0.30		WEIGHT			SIZE	RESTRICTED TO
2 PLC ± 0.05		MATERIAL			A2	-
3 PLC ± -		FINISH			CAGE CODE	DRAWING NO
4 PLC ± -		CUSTOMER DRAWING			00779	1571079
ANGLES ± -		SCALE			3:1	SHEET
FINISH ± -		SHEET			2 of 3	REV
		L1				

THIS DRAWING IS UNPUBLISHED. RELEASED FOR PUBLICATION
 © COPYRIGHT - By - ALL RIGHTS RESERVED.

LOC		DIST		REVISIONS			
P	LTR	DESCRIPTION	DATE	DWN	APVD		
		SEE SHEET 1					

ALCOSWITCH PART NUMBER



SWITCH TYPE: X1 X2 = PR - POWER ROCKER

NOMINAL PANEL CUT OUT SIZE: X3 = A - 13.0x19.2

NUMBER OF POLES: X4 = S - SINGLE

SWITCH FUNCTION: X5 X6 = D1 - ON-ON WITH OPAQUE, SINGLE-COLOR ROCKER BUTTON
D2 - ON-(ON) WITH OPAQUE, SINGLE-COLOR ROCKER BUTTON
D3 - ON-OFF-ON WITH OPAQUE, SINGLE-COLOR ROCKER BUTTON
D4 - ON-OFF-(ON) WITH OPAQUE, SINGLE-COLOR ROCKER BUTTON
D5 - (ON)-OFF-(ON), WITH OPAQUE, SINGLE-COLOR ROCKER BUTTON

CURRENT RATING: X7 X8 = 16 - 6

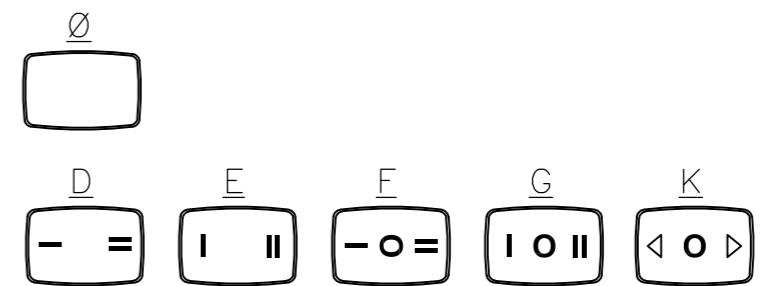
TERMINAL TYPE: X9 = E - FASTON™ TAB
L - SOLDER LUG

FRAME COLOR: X10 = B - BLACK
W - WHITE

ROCKER COLOR: X11 = B - BLACK
G - GREEN
R - RED
W - WHITE

SECONDARY ROCKER COLOR: X12 = Ø - NOT APPLICABLE
B - BLACK
G - GREEN
R - RED
W - WHITE

LEGEND TEXT PATTERN: X13 =



LEGEND TEXT COLOR: X14 = Ø - NOT APPLICABLE
G - GREEN
R - RED
B - BLACK
W - WHITE

1 MATERIALS:
 ROCKER BUTTON & HOUSING FRAME: NYLON 66, UL 94 V-2.
 TERMINAL, ACTIVE CONTACTOR: COPPER ALLOY PER ASTM B152/B152M
 PLUNGER: COPPER ALLOY PER ASTM B036
 PHENOLIC, UL94V1(SWITCH FUNCTION D5 ONLY)
 SPRING: STEEL WIRE PER ASTM A228/A228M
 CONTACT: SILVER-TIN OXIDE

6 UL: 16A@125VAC 1/3HP / 10A@250VAC 1/2HP
 ENEC: 10A 125V~, 6(3)A 250V~, µ25T85

7 ELECTRICAL RATINGS, APPROVED AGENCY LOGOS, TERMINAL IDENTIFICATION NUMBERS, MOLDED APPROXIMATELY AS SHOWN ON THE SIDE AND/OR BOTTOM SURFACE(S) OF THE SWITCH HOUSING.

8 COMPONENT RECOGNIZED TO US & CANADIAN STANDARDS, UL FILE NO. E46765.

9 COMPONENT RECOGNIZED TO EUROPEAN STANDARDS (ENEC, PENDING VDE). MARKS LICENSE No. 40006757

10 TE CONNECTIVITY LOGO LOCATED APPROXIMATELY AS SHOWN PER TEC 202-36

2 FINISH:
 TERMINAL, ACTIVE CONTACTOR: 1.0µm MIN SILVER
 COPPER ALLOY PLUNGER: 3.0µm MIN NICKEL

3 ELECTRICAL SPECIFICATIONS:
 CURRENT AND VOLTAGE: **6**
 CONTACT RESISTANCE (INITIAL): <100mΩ (5V, 1A DC)
 DIELECTRIC STRENGTH (INITIAL): >1000 VAC, 1 MINUTE
 INSULATION RESISTANCE (INITIAL): >100MΩ MIN (500VDC BETWEEN OPEN CONTACTS)
 INRUSH CURRENT: 50A / 3msec (CAPACITIVE LOAD)
 ELECTRICAL LIFE ENDURANCE: >6000 OPERATIONS, VOLTAGE DROP: <100mV
 TEMPERATURE RISE AT TERMINALS: <30°C, 6000 OPERATIONS (AMBIENT CONDITIONS: 25±2°C AND 65±5%R.H)

4 MECHANICAL SPECIFICATIONS:
 ACTUATING FORCE: 150g MIN, 650g MAX
 OPERATING LIFE ENDURANCE: >100,000 OPERATIONS
 TERMINAL RETENTION STRENGTH: >2.5kg- SOLDER LUG
 >6.8kg- FASTON TAB

5 ENVIRONMENTAL SPECIFICATIONS:
 AMBIENT TEMPERATURE: -20°C TO +85°C
 HUMIDITY: MAX 85%
 SALT SPRAY: NO REMAKABLE RUST IN METAL PARTS. (5% SALT / 35°C 24HRS)
 SHOCK: NO MECHANICAL DEFECT OR DAMAGE. (100g / 10MSEC/ X,Y,Z 3 TIMES)
 VIBRATION: NO MECHANICAL DEFECT OR DAMAGE. (10-55Hz / 1.5mm/ X,Y,Z 2HRS)

16.5	23.5	2	PRASD5-16F-BB0KW	1-1571079-6
16.5	23.5	2	PRASD4-16F-BB0GW	1-1571079-5
16.5	23.5	2	PRASD4-16F-BB0FW	1-1571079-4
16.5	23.5	2	PRASD4-16F-BB000	1-1571079-3
13.8	20.9	1	PRASD2-16F-BB0EW	1-1571079-2
13.8	20.9	1	PRASD2-16F-BB0DW	1-1571079-1
13.8	20.9	1	PRASD2-16F-BB000	1-1571079-0
16.5	23.5	2	PRASD3-16F-BB0GW	1571079-9
16.5	23.5	2	PRASD3-16F-BB0FW	1571079-8
16.5	23.5	2	PRASD3-16F-BB000	1571079-7
13.8	20.9	1	PRASD1-16F-BB0EW	1571079-6
13.8	20.9	1	PRASD1-16F-BB0DW	1571079-5
13.8	20.9	1	PRASD1-16F-BB000	1571079-4
B	A	SHEET REF.	ALCOSWITCH PART NUMBER	PART NUMBER

THIS DRAWING IS A CONTROLLED DOCUMENT.		DWN M.BINNER	25FEB2002	TE Connectivity	
DIMENSIONS: mm		CHK J.MOSIER		NAME POWER ROCKER SWITCH, 13.0mm X 19.2mm	
TOLERANCES UNLESS OTHERWISE SPECIFIED:		APVD -		PANEL CUT-OUT SIZE, SINGLE POLE, DOUBLE-THROW, THREE TERMINALS, NON-ILLUMINATED	
0 PLC ± -		PRODUCT SPEC		RESTRICTED TO	
1 PLC ± 0.30		NOT APPLICABLE		SIZE CAGE CODE DRAWING NO	
2 PLC ± 0.05		NOT APPLICABLE		A2 00779 C=1571079	
3 PLC ± -		APPLICATION SPEC		SCALE 3:1 SHEET 3 OF 3 REV L1	
4 PLC ± -		WEIGHT			
ANGLES ± -		CUSTOMER DRAWING			
FINISH					