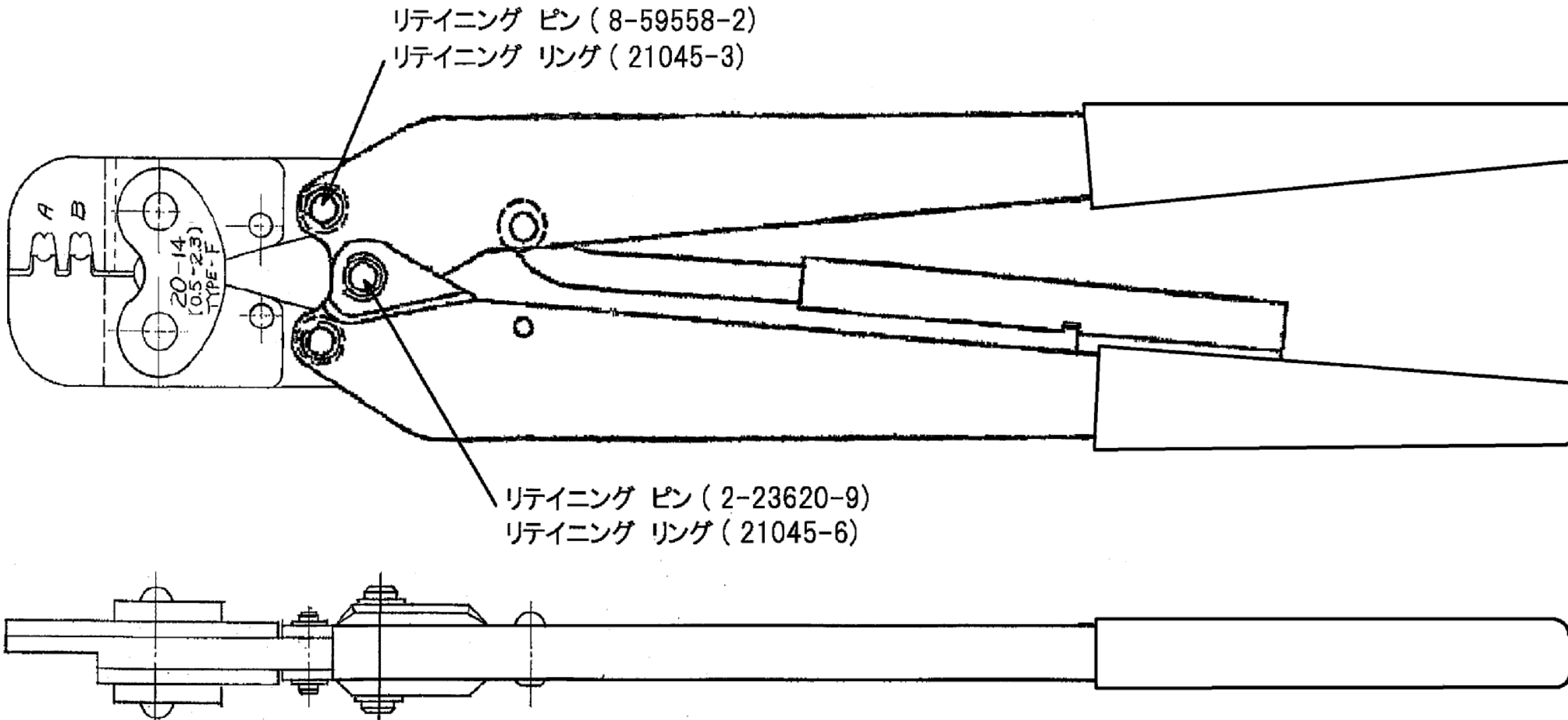


P	LTR	DESCRIPTION	DATE	DWN	APVD
	A	RELEASED	22APR2009	J.K	S.Y
	AI	CORRECTED ECR-09-009625	28APR2009	J.K	S.Y

\* DO NOT USE STRIP TERMINALS. (連鎖状端子は使用できません。)

PART NUMBER	REV	NEST SYMBOL	TERMINAL STRIP NO.	TERMINAL L.P. NO.	WIRE RANGE	TERMINAL CRIMP HEIGHT	INSUL RANGE	TERMINAL SPEC. NO.	I.S. NO
2088544-1	A	A	(170003)	170021	20-18 [0.5-0.89]	1.12-1.40	2.2-3.1	-	411-78353
			(170012-2)	170021-1	18-16 [0.75-1.42]	1.12-1.28			
		B	(170003)	170021	14 [2.0-2.27]	1.45-1.84			
			(170002)	170020	16 [1.25-1.42]				
			(170002)	170020	20-18 [0.5-0.89]	1.45-1.72			
			(170003)	170021	16 [1.25-1.42]				



<small>THIS DRAWING IS A CONTROLLED DOCUMENT FOR TYCO ELECTRONICS CORPORATION IT IS SUBJECT TO CHANGE AND THE CONTROLLING ENGINEERING ORGANIZATION SHOULD BE CONTACTED FOR THE LATEST REVISION.</small>		DWN J.KOGA 22APR2009 CHK J.KOGA 22APR2009 APVD S.YABE 22APR2009	<b>Tyco Electronics</b> Tyco Electronics Corporation Kawasaki, Japan		
DIMENSIONS: mm	TOLERANCES UNLESS OTHERWISE SPECIFIED: 0 PLC ±- 1 PLC ±- 2 PLC ±- 3 PLC ±- 4 PLC ±- ANGLES ±-	PRODUCT SPEC - APPLICATION SPEC - WEIGHT -	NAME DOUBLE ACTION HAND TOOL		
MATERIAL -	FINISH -	CUSTOMER DRAWING	SIZE A3 CAGE CODE 00779 DRAWING NO ©=2088544	RESTRICTED TO -	SCALE - SHEET 1 OF 1 REV AI