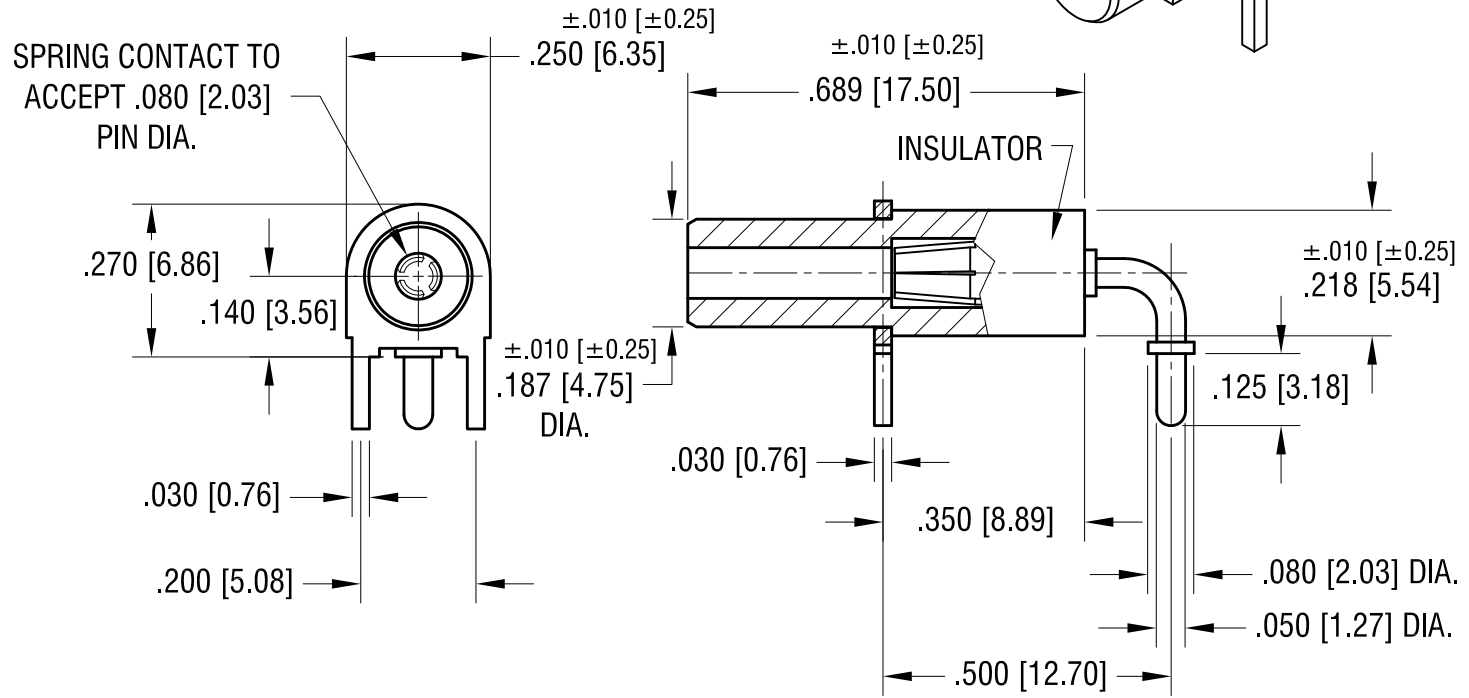
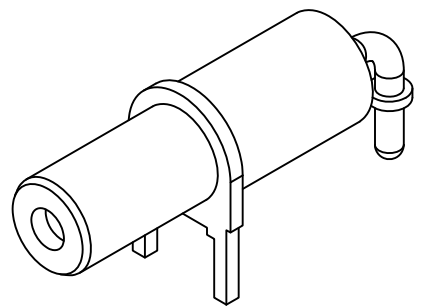
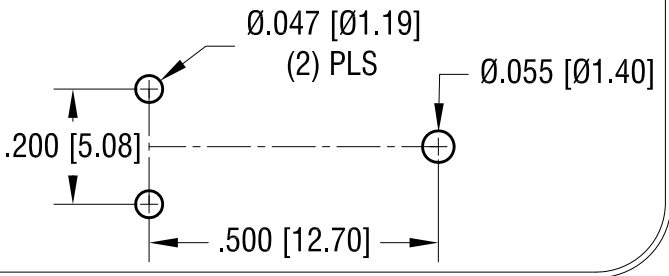


THIS DOCUMENT IS THE PROPERTY OF KEYSTONE ELECTRONICS CORP. AND SHALL NOT BE REPRODUCED, DISTRIBUTED OR USED AS A BASIS FOR MANUFACTURE WITHOUT PRIOR WRITTEN PERMISSION FROM KEYSTONE ELECTRONICS CORP.

MOUNTING DETAIL



NOTES:

1. TERMINAL JACK: MAT'L - BERYLLIUM COPPER (QQ-C-533)
2. BUSHING: MAT'L - PTFE
3. MOUNTING BRACKET: MAT'L - BRASS

PART NO.	COLOR
11013	WHITE
11013-R	RED
11013-B	BLACK

DATE	DESCRIPTION	REV.
11.22.11	CHANGE AS PER ECN 11-158	B
3.07.11	CHANGE AS PER ECN 11-030	A

KEYSTONE ELECTRONICS CORP.
 www.keyelco.com • ASTORIA, N.Y. 11105-2017 • Tel (718) 956-8900

PART NAME: **HORIZONTAL INSULATED TEST JACK**

MATERIAL: **AS NOTED**

FINISH: **GOLD PLATE**

DRN BY: N.T. DATE: 3.07.08
 APP'D: LN SCALE: 3X

TOLERANCES INCH [MM]
 DECIMAL ± .005 [± 0.13]
 ANGULAR ± 1°
 UNLESS OTHERWISE SPECIFIED

CODE: C/M DWG NO. **11013-**