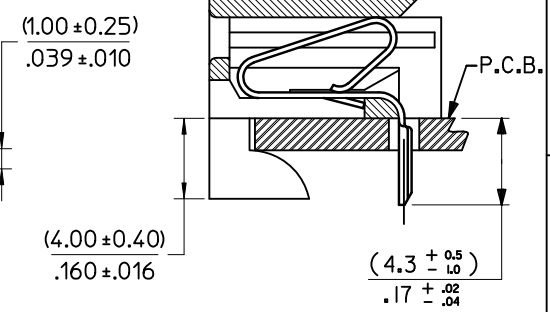
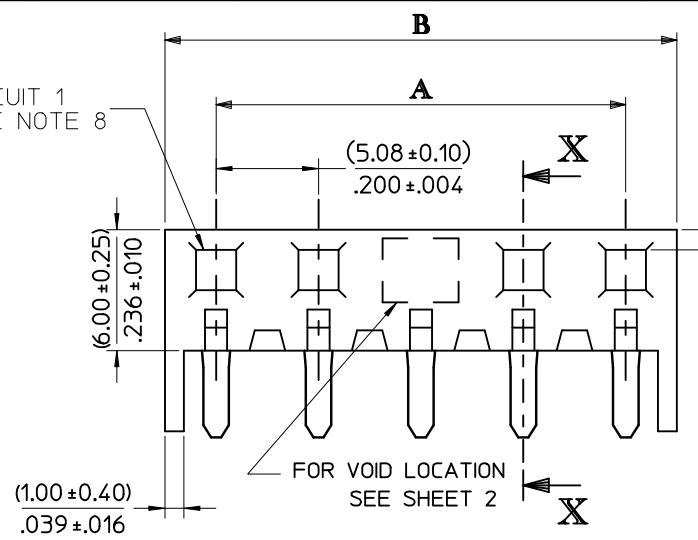
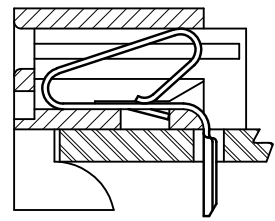
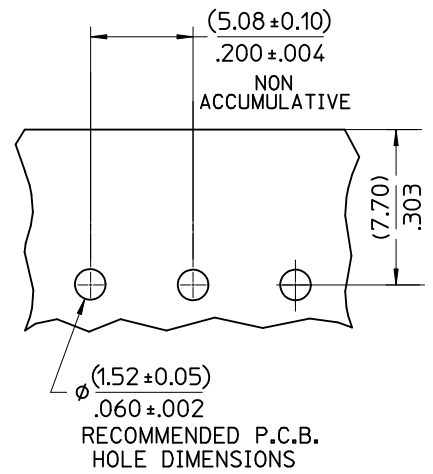
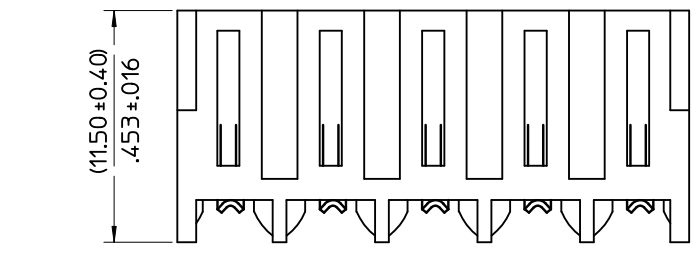


CCT	PART No.	ENG No.	DIM A	DIM B
2	10-10-1021	AE-3002-2A	(5.08 ± 0.10) .200 ± .004	(10.16 ± 0.25) .400 ± .006
3	-1031	-3A	(10.16 ± 0.10) .400 ± .004	(15.24 ± 0.15) .600 ± .008
4	-1041	-4A	(15.24 ± 0.10) .600 ± .004	(20.32 ± 0.25) .800 ± .008
5	-1051	-5A	(20.32 ± 0.10) .800 ± .004	(25.40 ± 0.15) 1.000 ± .008
6	-1061	-6A	(25.40 ± 0.10) 1.000 ± .004	(30.48 ± 0.20) 1.200 ± .008
7	-1071	-7A	(30.48 ± 0.20) 1.200 ± .008	(35.56 ± 0.20) 1.400 ± .008
8	-1081	-8A	(35.56 ± 0.20) 1.400 ± .008	(40.64 ± 0.20) 1.600 ± .008
9	-1091	-9A	(40.64 ± 0.20) 1.600 ± .008	(45.72 ± 0.20) 1.800 ± .008
10	-1101	-10A	(45.72 ± 0.20) 1.800 ± .008	(50.80 ± 0.20) 2.000 ± .008
11	-1111	-11A	(50.80 ± 0.20) 2.000 ± .008	(55.88 ± 0.30) 2.200 ± .012
12	10-10-1121	AE-3002-12A	(55.88 ± 0.25) 2.200 ± .010	(60.96 ± 0.30) 2.400 ± .012

CIRCUIT 1
SEE NOTE 8



SECTION X-X



OPTIONAL CORE

- NOTES:**
- HOUSING : NYLON, UL94V-2, COLOR: NATURAL
TERMINAL : PHOSPHOR BRONZE
 - FINISH: HOT TIN DIP. (0.00254)/.000100 MIN
 - PRODUCT SPECIFICATION : PS-99020-0087
 - PACKAGING SPECIFICATION : TBD
 - HOUSING SUITABLE FOR (1.14±0.15)/.045±.006 RD OR SQ. PINS
 - HOOKS AVAILABLE ON ENDS ONLY
 - THIS PART CONFORMS TO CLASS B REQUIREMENTS OF COSMETIC SPECIFICATION PS-45499-002
 - CIRCUIT 1 I.D. USED TO DEFINE VOID LOCATION.
CIRCUIT 1 MAY OR MAY NOT LINE UP WITH CIRCUIT 1 OF MATING PART

OBSOLETE 13-20 CKT EC NO: UCP2011-3286 DRWN:MMSTROH 2011/04/25 CHKD:MK(IPPER 2011/04/30) APPR:FSM(LTH 2011/05/02)	QUALITY SYMBOLS F _A =0 F _C =0 F _P =0	GENERAL TOLERANCES (UNLESS SPECIFIED)		DIMENSION STYLE MM/IN		SCALE 4:1	DESIGN UNITS METRIC	THIRD ANGLE PROJECTION		
		4 PLACES	± ---	± ---	DRAWN BY GCH	DATE 1995/06/15	TITLE KONEKTCON AND P.C. TAIL TERMINAL ASSEMBLY (5.08)/.200 PITCH			
		3 PLACES	± ---	± ---	CHECKED BY GMCSWEENEY	DATE 2005/08/31				
		2 PLACES	± ---	± ---	APPROVED BY JDENNEHY	DATE 2005/08/31	MOLEX INCORPORATED			
1 PLACE	± ---	± ---	ANGULAR ± ---°		MATERIAL NO. SEE CHART		DOCUMENT NO. SDAE-3002-NA-*	SHEET NO. 1 OF 2		
DRAFT WHERE APPLICABLE MUST REMAIN WITHIN DIMENSIONS		SIZE A3				THIS DRAWING CONTAINS INFORMATION THAT IS PROPRIETARY TO MOLEX INCORPORATED AND SHOULD NOT BE USED WITHOUT WRITTEN PERMISSION				

CCT	PART No.	ENG No.	VOID CCT. No's	HOOKS
8	10-05-1089	AE-3002-8A-3	3	YES
9	38-00-1502	AE-3002-9A-51	2,4,6,8	YES
5	38-00-7643	AE-3002-5A-52	NONE	NONE

OBSOLETE 13-20 CKT EC NO: UCP/2011-3286 DRWN:MMSTROH 2011/04/25 CHKD:MKIPPER 2011/04/30 APPR:FSM/JTH 2011/05/02	QUALITY SYMBOLS	GENERAL TOLERANCES (UNLESS SPECIFIED)	DIMENSION STYLE MM ONLY	SCALE ---	DESIGN UNITS METRIC	THIRD ANGLE PROJECTION
	$\nabla_A = 0$	4 PLACES	mm INCH	DRAWN BY GCH	DATE 1986/06/17	TITLE KONEKTCON AND P.C. TAIL TERMINAL ASSEMBLY (5.08)/.200 PITCH
	$\nabla_C = 0$	3 PLACES	± --- ± ---	CHECKED BY GMCSWEENEY	DATE 2005/08/31	
	$\nabla_B = 0$	2 PLACES	± --- ± ---	APPROVED BY JDENNEHY	DATE 2005/08/31	MOLEX INCORPORATED
	1 PLACE	± --- ± ---	MATERIAL NO.	DOCUMENT NO.		
		ANGULAR ± --- °	DRAFT WHERE APPLICABLE MUST REMAIN WITHIN DIMENSIONS		SEE CHART	SHEET NO. 2 OF 2
			SIZE A3	THIS DRAWING CONTAINS INFORMATION THAT IS PROPRIETARY TO MOLEX INCORPORATED AND SHOULD NOT BE USED WITHOUT WRITTEN PERMISSION		