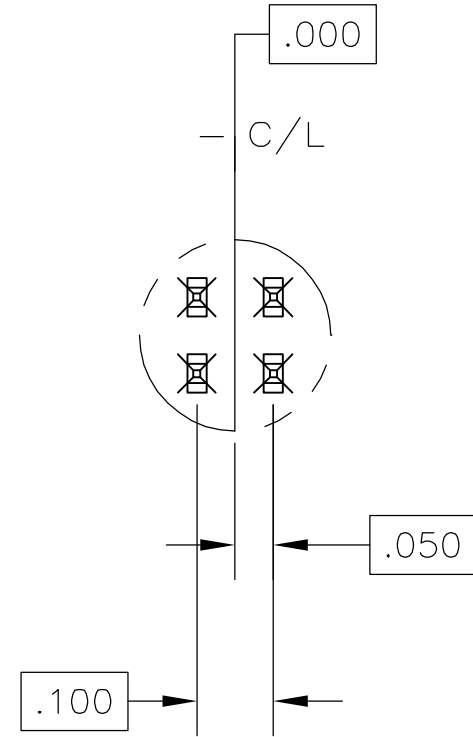
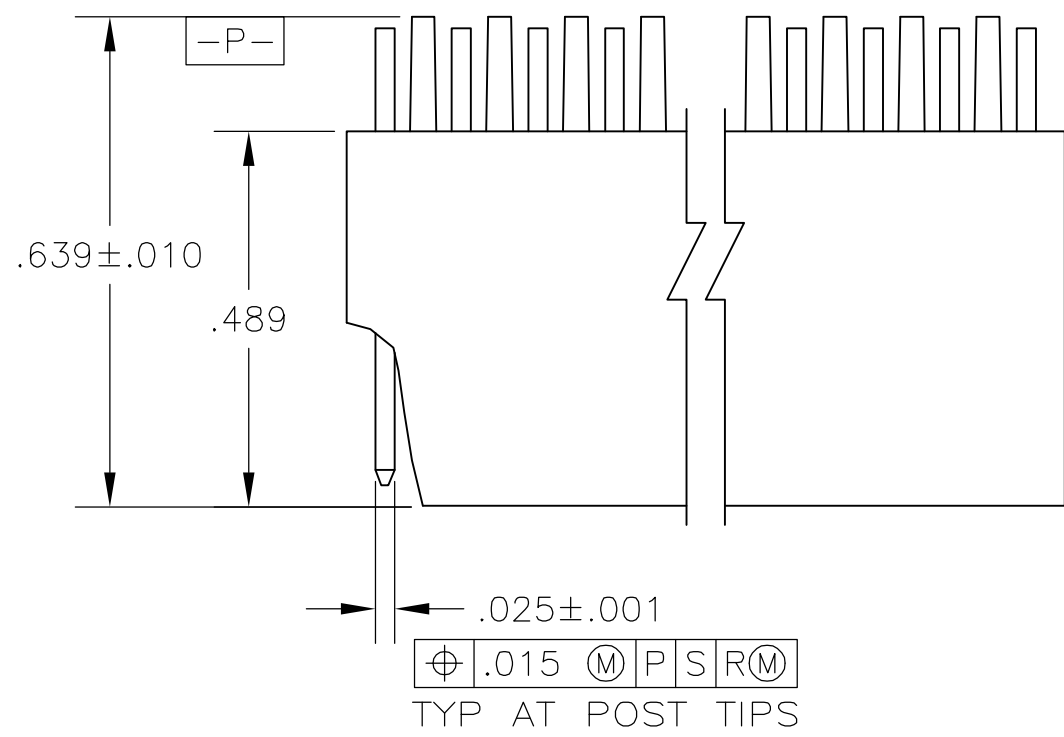


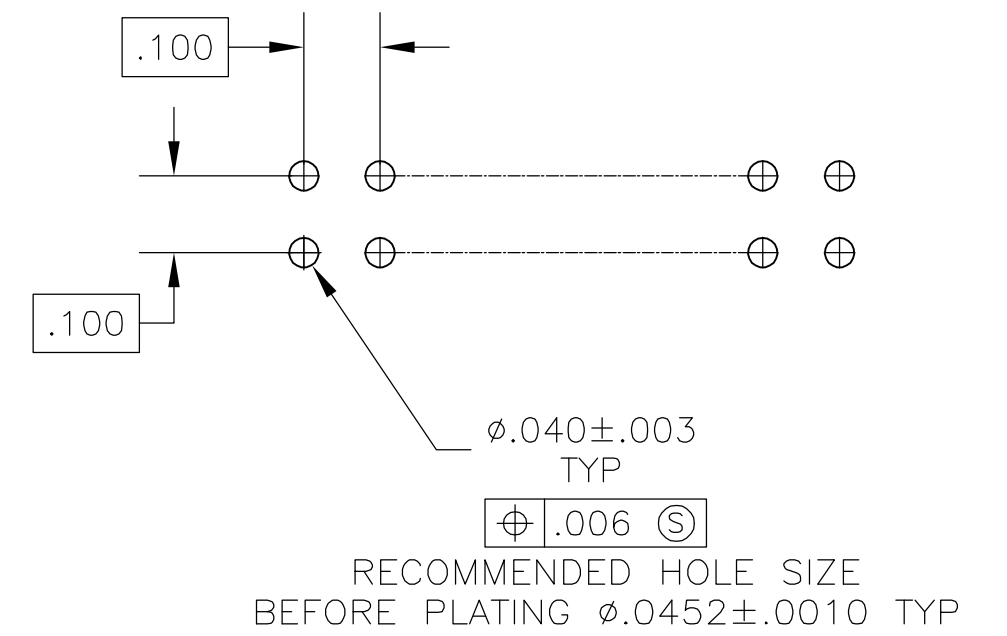
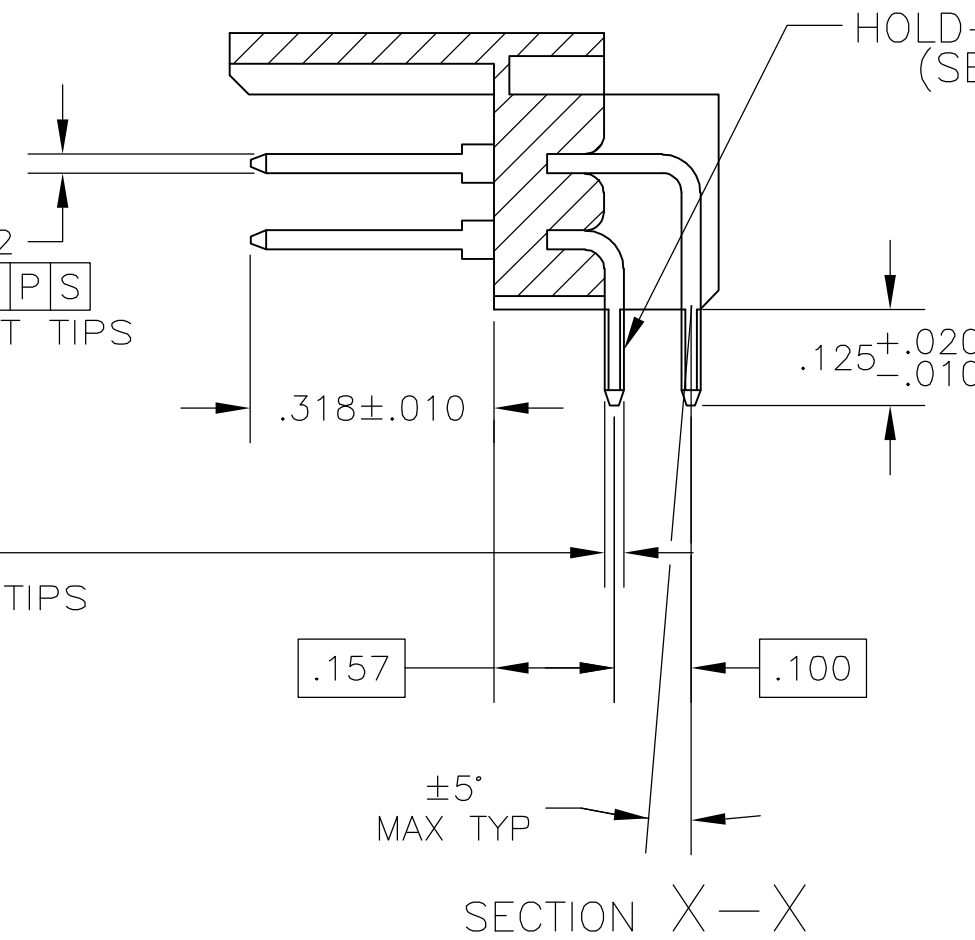
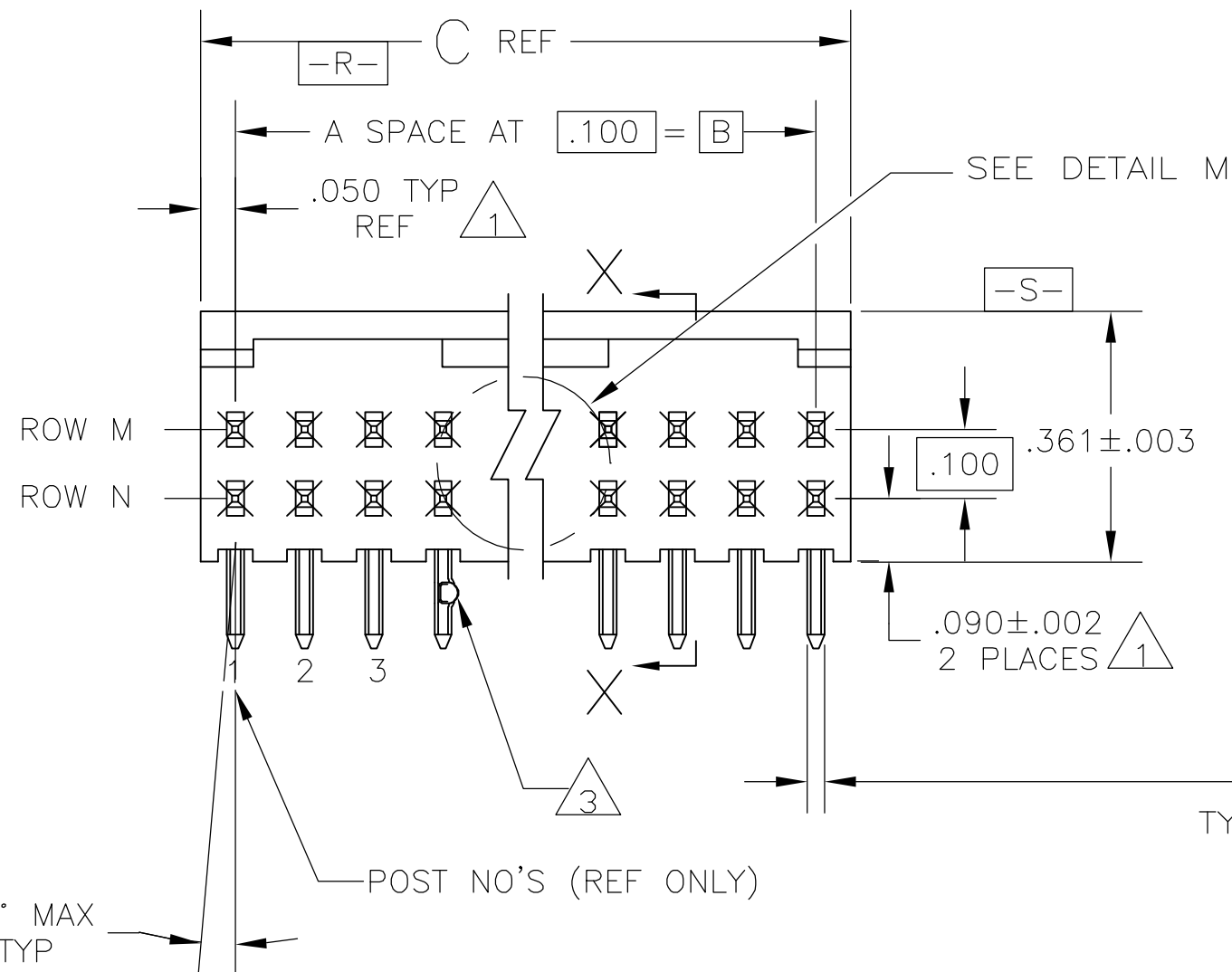
THIS DRAWING IS UNPUBLISHED. RELEASED FOR PUBLICATION
 © COPYRIGHT BY TYCO ELECTRONICS CORPORATION. ALL RIGHTS RESERVED.

LOC		DIST		REVISIONS				
AD	00	P	LTR	DESCRIPTION	DATE	DWN	APVD	
		H		EG 0G3C 0209 05	28APR05	BSV	JLG	

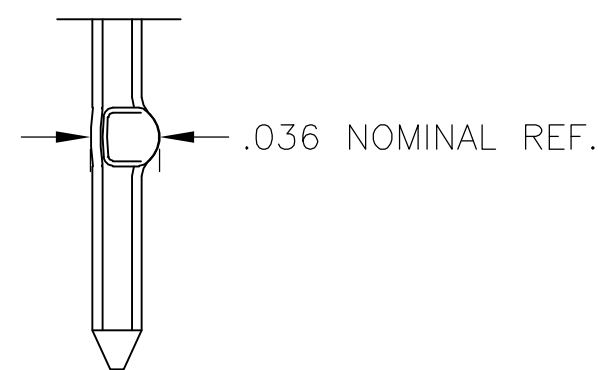


- △1 THE NOTED DIMENSION APPLIES AT THE INTERSECTION OF THE POST AND HOUSING
- △3 SELECTIVE POSTS ARE FORMED TO PROVIDE CONNECTOR RETENTION TO PC BOARD UNTIL SOLDERED. RETENTION FEATURE IS FOR .055 MINIMUM PC BOARD THICKNESS. SEE DETAIL Z FOR FORM AND TABLE FOR LOCATIONS.
- △4 FINISH: POSTS: .000100-.000200 BRIGHT TIN-LEAD OVER .000050 NICKEL ON ENTIRE POST.
- △5 FINISH: POSTS: .000100-.000200 MATTE TIN OVER .000050 NICKEL ON ENTIRE POST.

DETAIL M
 BASIC DIMENSION FOR ODD NUMBER OF SPACES.



RECOMMENDED HOLE LAYOUT



DETAIL Z
 POST DETAIL TYP
 2 POST MINIMUM
 SCALE 10:1

△5	2,3,6,7	-	.795	.700	7	16	5-104421-1
△4	2,3,6,7	-	.795	.700	7	16	104421-1
PLATING	ROW N	ROW M	C	B	A	NO OF POS	ASSEMBLY PART NUMBER
	HOLD-DOWN POST CONFIG LOCATIONS						

THIS DRAWING IS A CONTROLLED DOCUMENT.		DWN SCOTT A. SHUEY 7-6-88	tyco Electronics Tyco Electronics Corporation Harrisburg, Pa 17105-3608	
DIMENSIONS: INCHES		CHK R. FEIDT 10-6-88	NAME HEADER ASSY, MODU II, DBL ROW, .100 X .100 C/L, RT ANGLE, (1) SIDED SHROUD WITH HOLD DOWN CONFIGURATION	
TOLERANCES UNLESS OTHERWISE SPECIFIED: 0 PLC ± - 1 PLC ± - 2 PLC ± - 3 PLC ± .005 4 PLC ± - ANGLES ± - FINISH SEE TABLE		APVD R. FEIDT 10-6-88	PRODUCT SPEC	RESTRICTED TO
MATERIAL HOUSING: FLAME RETARDANT THERMOPLASTIC COLOR - BLACK		WEIGHT -	SIZE A2	CAGE CODE 00779
		DRAWING NO C=104421		SCALE 4:1
CUSTOMER DRAWING		SHEET 1 OF 1		REV H