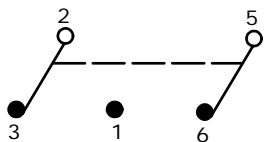
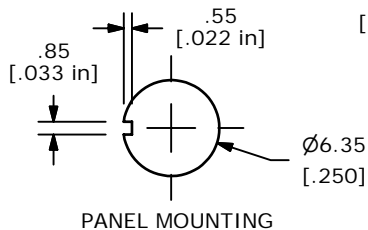


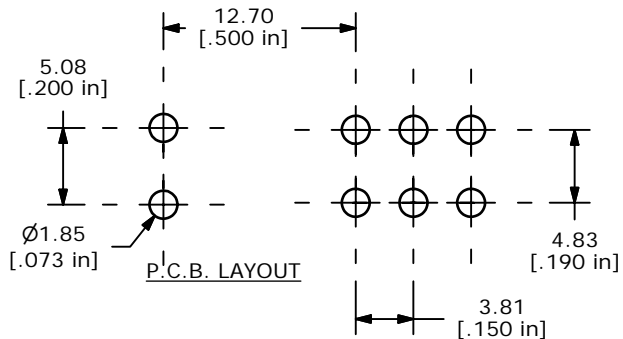
SWITCH FUNCTION		
POS. 1	POS. 2	POS. 3
ON	NONE	ON
2-3, 5-6	N/A	2-1, 5-4



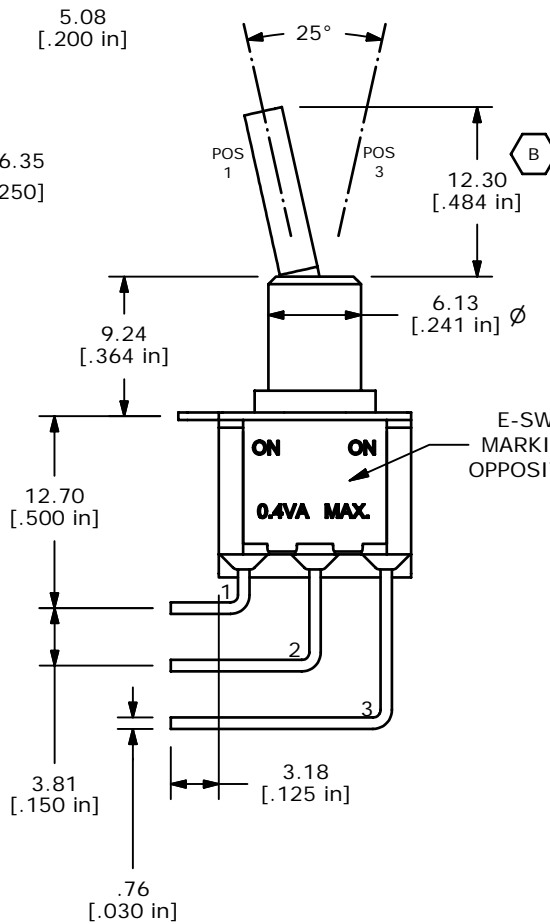
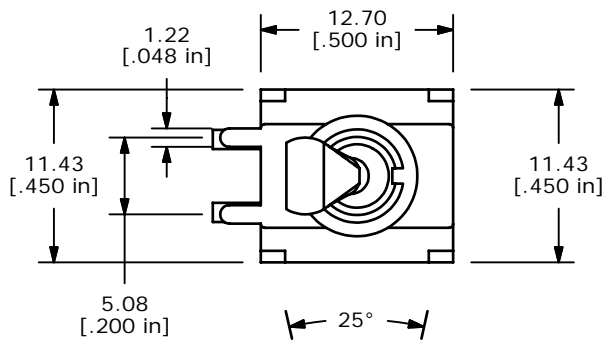
CIRCUIT: DPDT



PANEL MOUNTING

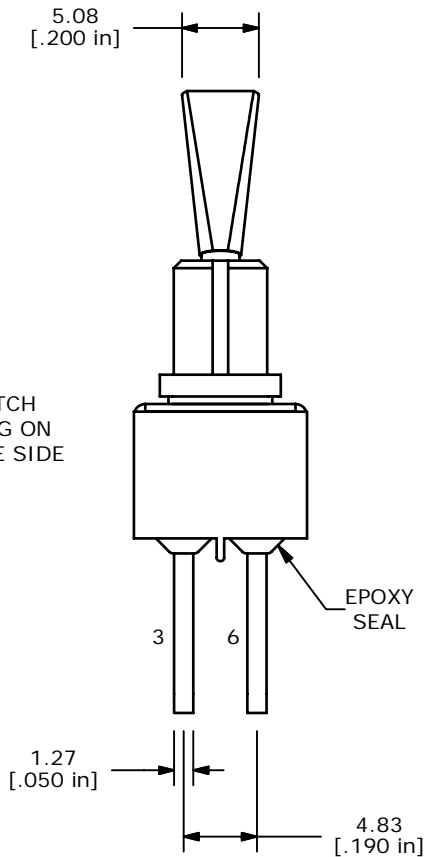
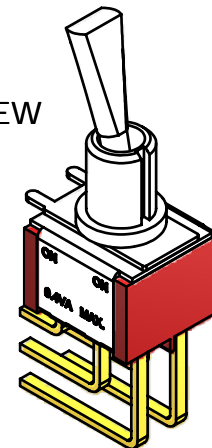


P.C.B. LAYOUT



E-SWITCH MARKING ON OPPOSITE SIDE

ISOMETRIC VIEW



EPOXY SEAL

NOTE:

1. ALL DIMENSIONS IN MM [INCH]
2. GENERAL TOLERANCE: X.X=±0.4
X.XX=±0.25
3. TERMINAL NUMBERS FOR REF ONLY
- ▲ 4. PLATING MATERIAL: GOLD
5. RATING: 0.4VA MAX @20V MAX (AC or DC)
6. MECHANICAL LIFE: 40,000 MAKE-AND-BREAK CYCLES AT FULL LOAD.
7. INSULATION RESISTANCE: 1,000 MEGA-OHM MIN.
8. DIELECTRIC STRENGTH: 1,000 V RMS @SEA LEVEL.
9. OPERATING TEMP.: -30°C to 85°C
10. ▲ DENOTES CRITICAL PARAMETER.
11. 2002/95/EC (ROHS) COMPLIANT

E-SWITCH®

B	17867	HEIGHT DIM OF ACTUATOR CORRECTED	11/16/07	BLR
A	17861	NEW PART RELEASE	11/14/07	BLR
REV	PCR NO	DESCRIPTION	DATE	BY

TITLE 100DP1T6B12M7RE				
SCALE	DATE	DR	DWG	REV
2:1	11/16/2007	BLR	T121104	B

THE INFORMATION CONTAINED IN THIS DOCUMENT IS PROPRIETARY TO E-SWITCH AND IS NOT TO BE COPIED OR TRANSFERRED