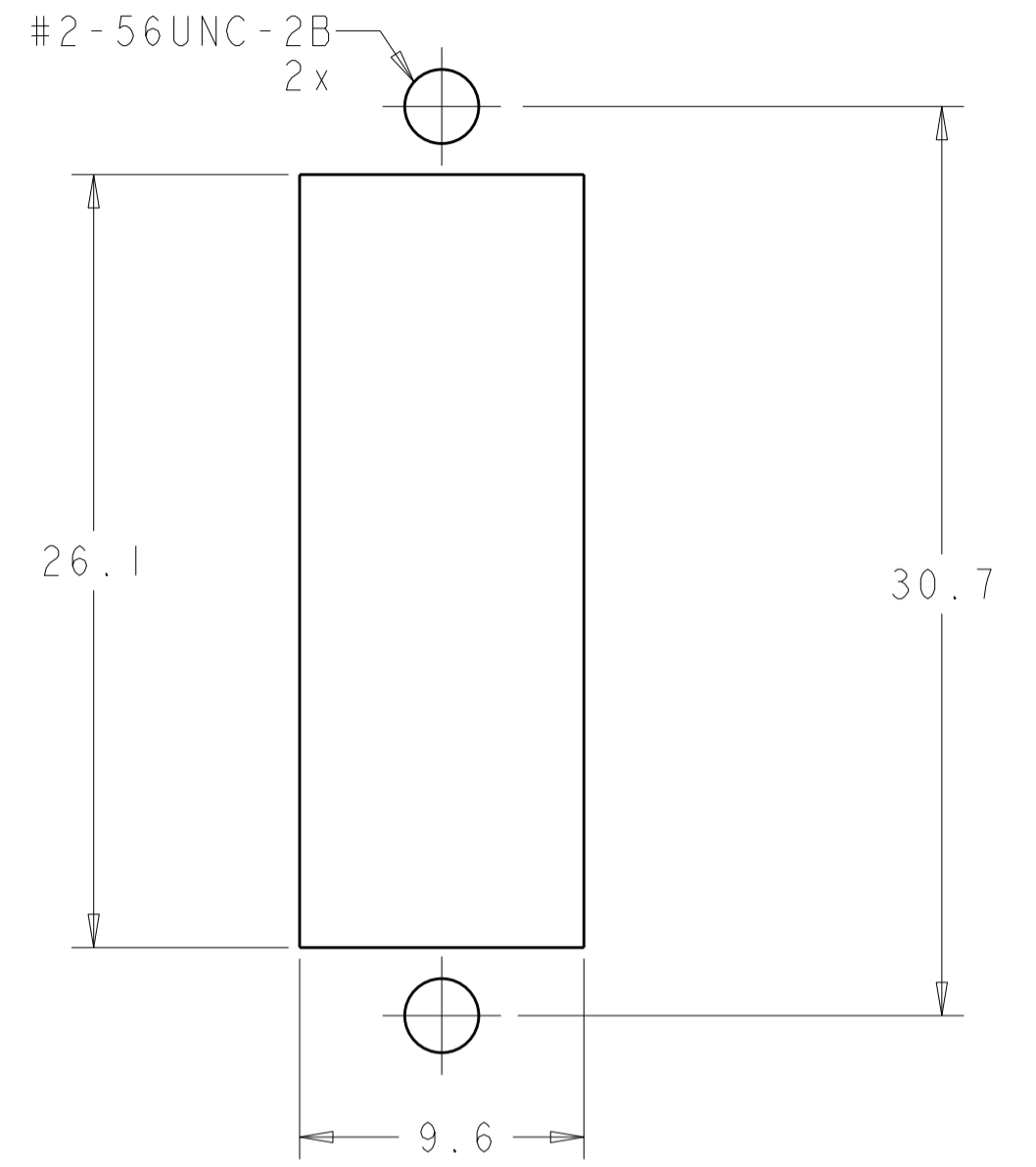
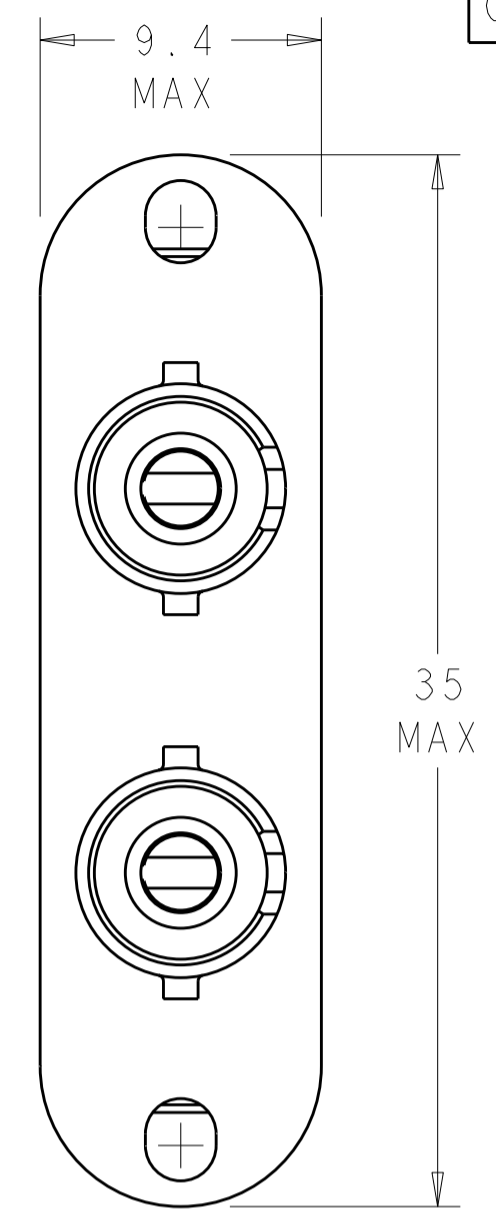
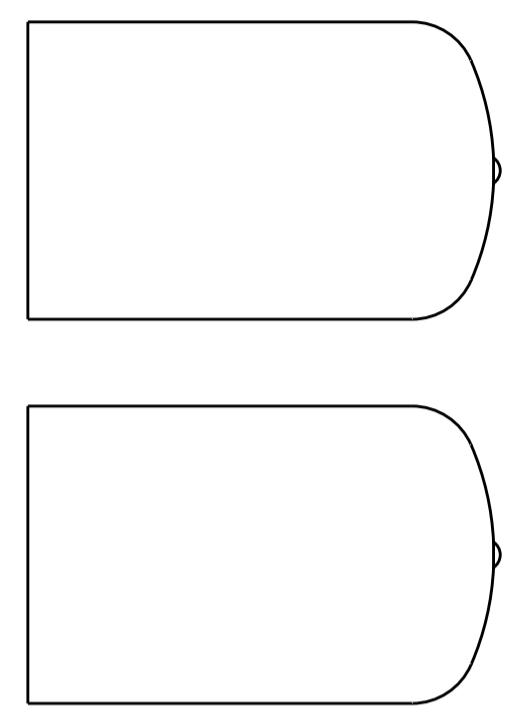
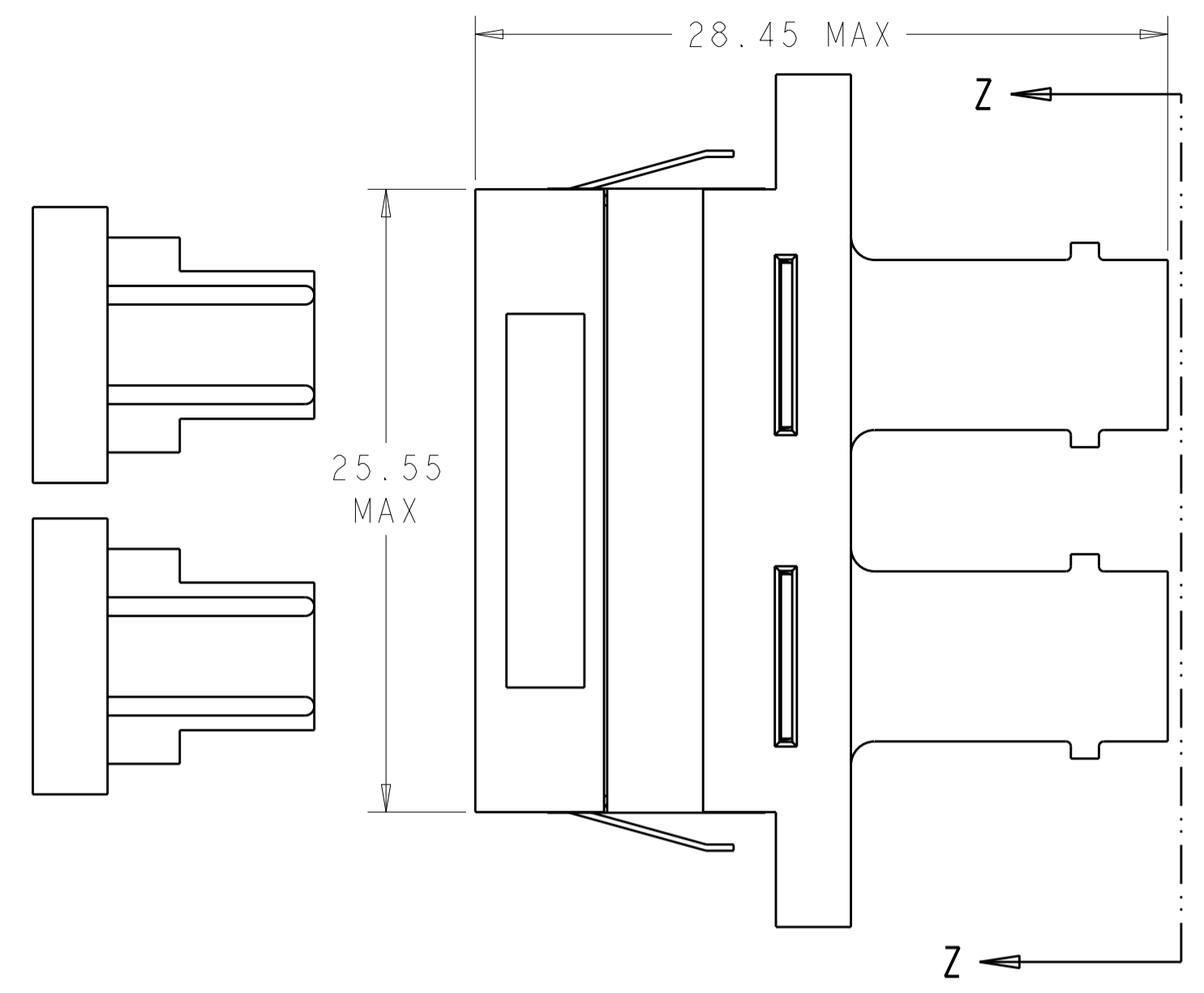
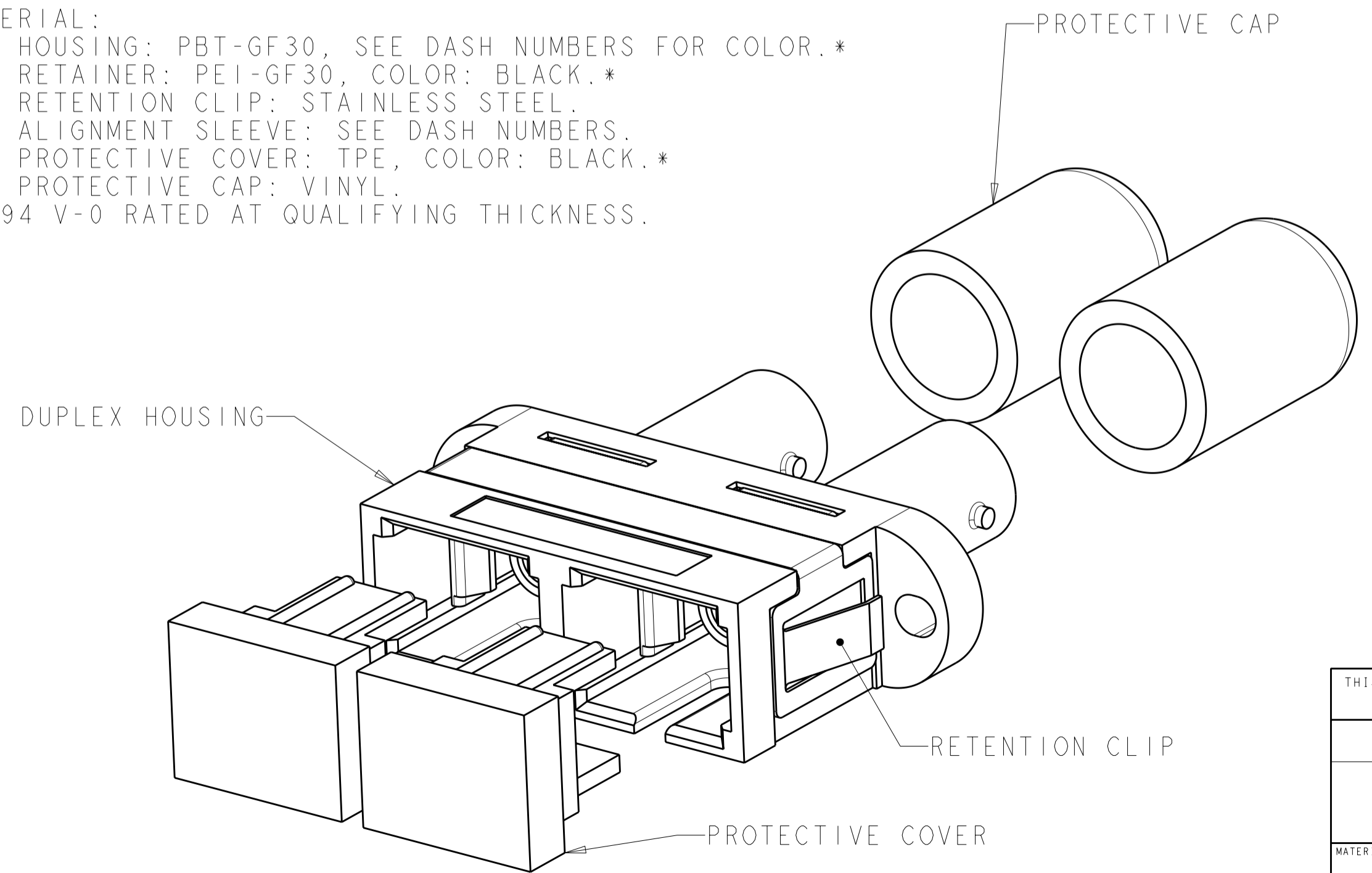


THIS DRAWING IS UNPUBLISHED. RELEASED FOR PUBLICATION 20  
 © COPYRIGHT 20 BY - ALL RIGHTS RESERVED.

LOC		DIST		REVISIONS			
P	LTR	DESCRIPTION	DATE	DWN	APVD		
CE	00						
	DI	REVISED PER ECO-11-005027	16MAR2011	RK	HMR		



**MATERIAL:**  
 HOUSING: PBT-GF30, SEE DASH NUMBERS FOR COLOR.\*  
 RETAINER: PEI-GF30, COLOR: BLACK.\*  
 RETENTION CLIP: STAINLESS STEEL.  
 ALIGNMENT SLEEVE: SEE DASH NUMBERS.  
 PROTECTIVE COVER: TPE, COLOR: BLACK.\*  
 PROTECTIVE CAP: VINYL.  
 \*UL94 V-0 RATED AT QUALIFYING THICKNESS.



RETENTION CLIP	METAL	AQUA	2-5503137-1
RETENTION CLIP	CERAMIC	AQUA	1-5503137-9
NONE	METAL	BLACK	1-5503137-7
NONE	CERAMIC	LT ALMOND	1-5503137-5
RETENTION CLIP	CERAMIC	BEIGE	5503137-6
RETENTION CLIP	CERAMIC	BLUE	5503137-5
RETENTION CLIP	CERAMIC	BLACK	5503137-4
RETENTION CLIP	METAL	BEIGE	5503137-3
RETENTION CLIP	METAL	BLUE	5503137-2
RETENTION CLIP	METAL	BLACK	5503137-1
HARDWARE	ALIGNMENT SLEEVE	COLOR	PART NUMBER

THIS DRAWING IS A CONTROLLED DOCUMENT.

DIMENSIONS: mm	TOLERANCES UNLESS OTHERWISE SPECIFIED:	DWN B. BRIGGS 13MAY2005	 TE Connectivity
	0 PLC ±	CHK S. MILLER 13MAY2005	
	1 PLC ±0.1	APVD S. BUCHTER 13MAY2005	
	2 PLC ±0.05	PRODUCT SPEC	
MATERIAL	ANGLES ±	FINISH ±	NAME RECEPTACLE ASSEMBLY, DUPLEX, AMP SC TO BAYONET SIZE CAGE CODE DRAWING NO RESTRICTED TO A200779 C-5503137 SCALE 4:1 SHEET OF REV DI

CUSTOMER DRAWING