

4

3

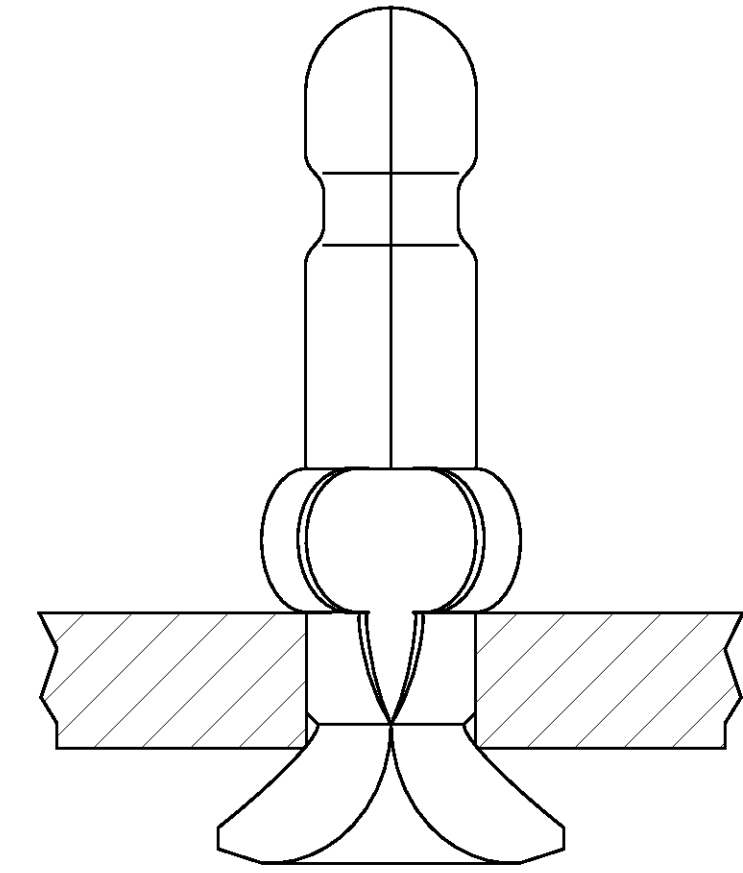
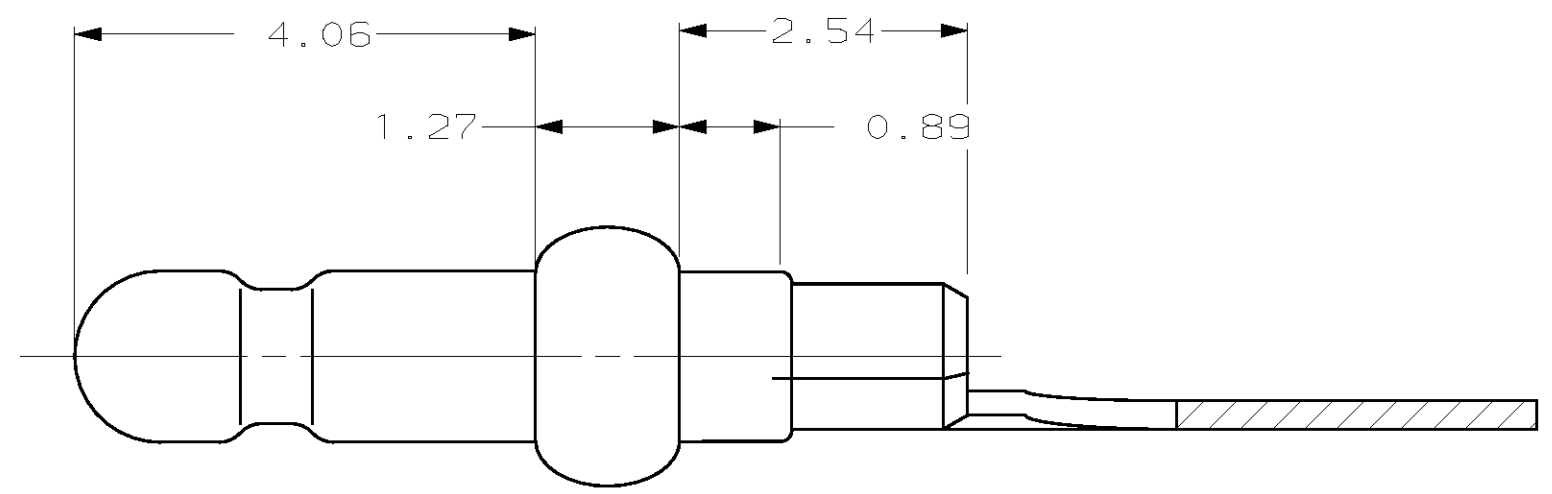
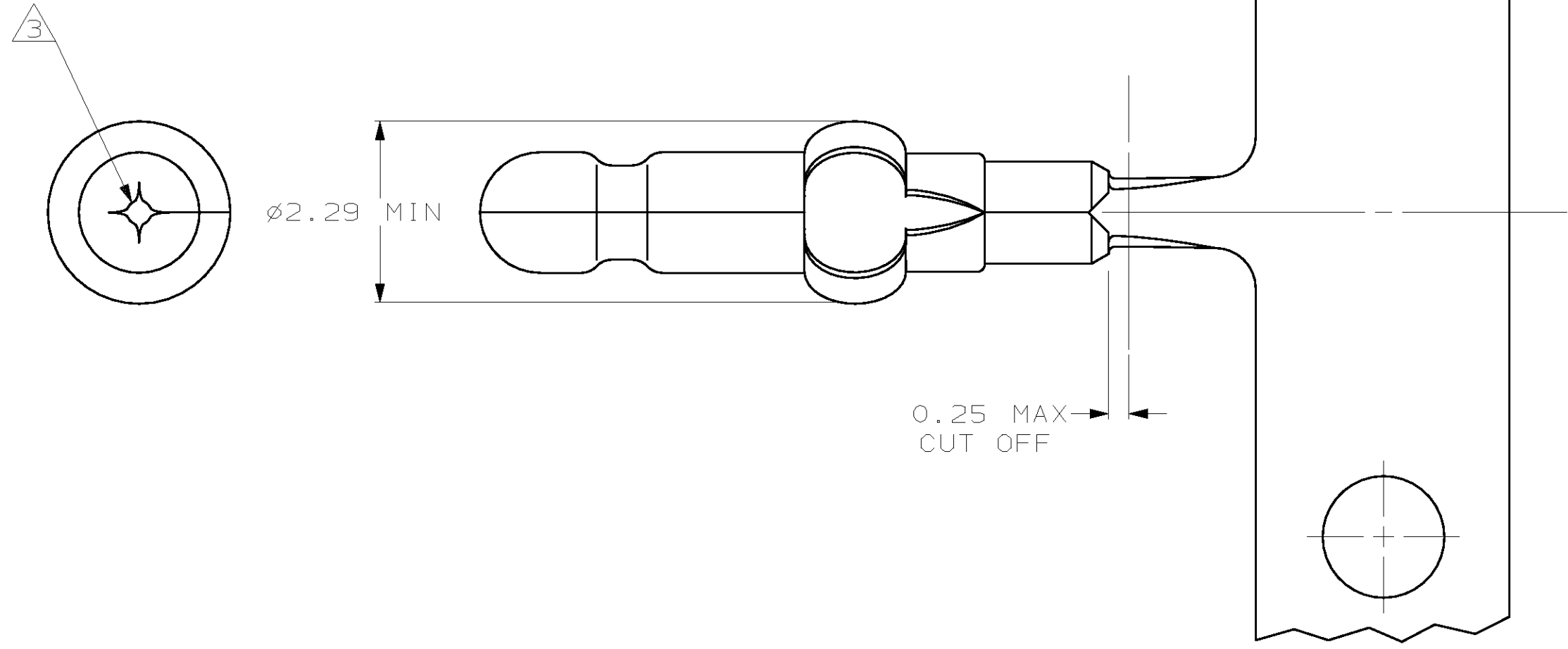
2

1

THIS DRAWING IS UNPUBLISHED. RELEASED FOR PUBLICATION .19  
 (C) COPYRIGHT 19 BY AMP INCORPORATED. ALL RIGHTS RESERVED.

LOC	DIST	REVISIONS					
		P	LTR	DESCRIPTION	DATE	DWN	APVD
CM	52						
		C		REV & REDWN PER EC 0L30-0176-97	8-25-97	TB	RS

1. FITS 1.40 - 1.55 DIAMETER HOLE IN A 1.19±0.18 PRINTED CIRCUIT BOARD.
2. PARTS TO COMPLY WITH AMP SOLDERABILITY SPECIFICATION 109-11-3.
3. 0.05 - 0.25 DIAMETER OPENING REQUIRED IN TIP OF PIN.
4. APPLICATOR FEED: 8.00 - 8.26



PRE TIN FINISH	641944-1 PART NUMBER
----------------	----------------------

MM	IN	MM	IN	MM	IN	MM	IN
0.25	.010	1.40	.055	2.54	.100	-	-
0.18	.007	1.27	.050	2.29	.090	8.26	.325
0.13	.005	1.19	.047	1.55	.061	8.00	.315
0.05	.002	0.89	.035	1.47	.058	4.06	.160

CONVERSION TABLE

**METRIC**

THIS DRAWING IS A CONTROLLED DOCUMENT.		DWN	T. BECK	8-25-97	AMP Incorporated Harrisburg, PA 17105-3608		
DIMENSIONS: mm		CHK	R. SWING	8-25-97			
TOLERANCES UNLESS OTHERWISE SPECIFIED:		APVD	A. BEDDICK	9-10-97			
0 PLC ±- 1 PLC ±- 2 PLC ±0.13 3 PLC ±- 4 PLC ±- ANGLES ±-		PRODUCT SPEC	108-1025				
MATERIAL: 0.25 PH BRZ		FINISH	SEE TABLE		APPLICATION SPEC	114-1008	
		WEIGHT: -		CUSTOMER DRAWING	SCALE: 15:1	SHEET: 1 OF 1	REV: C

NAME: PIN, .058 DIAMETER, PHOSPHOR BRONZE, CLINCH FIT, P.C. CONTACT

SIZE: A2 CAGE CODE: 00779 DRAWING NO: 641944 RESTRICTED TO: -

641944