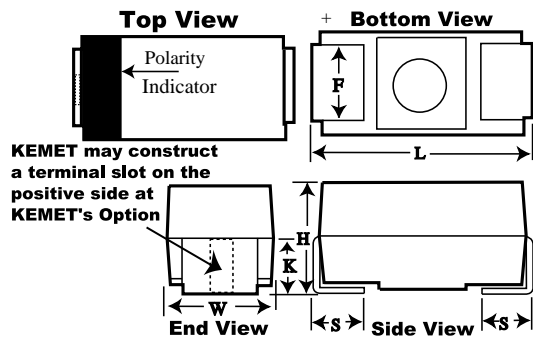


KEMET Part Number: T491C335M035ZG **Obsolete**
(B45198E6335M309)

B45198E, Tantalum, MnO2 Tantalum, 3.3 uF, 20%, 35 V, SMD, Molded, 6032, Height Max = 2.8mm



General Information	
Supplier:	KEMET
Series:	B45198E
Dielectric:	MnO2 Tantalum
Style:	SMD Chip
Description:	SMD, Molded
RoHS:	Yes
Termination:	Gold
Notes:	Old Part Number [Obsolete] Was B45198E6335M309

Dimensions	
Footprint	6032
L	6mm +/-0.3mm
W	3.2mm +/-0.3mm
H	2.5mm +/-0.3mm
S	1.3mm +/-0.3mm
F	2.2mm +/-0.1mm
K	1.8mm TYP

Specifications	
Capacitance:	3.3 uF
Capacitance Tolerance:	20%
Voltage DC:	35 VDC (85C), 23.45 VDC (125C)
Temperature Range:	-55/+125C
Rated Temperature:	85C
Dissipation Factor:	6%
Failure Rate:	N/A
Leakage Current:	1.2 uA

Packaging Specifications	
Packaging:	T&R, 178mm
Packaging Quantity:	750