

6

5

4

3

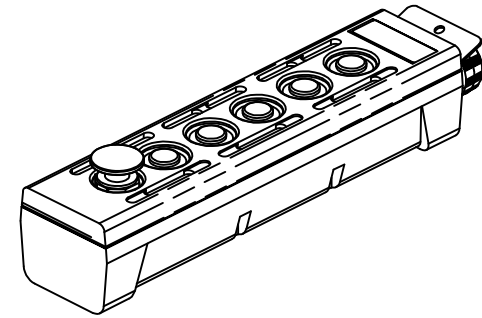
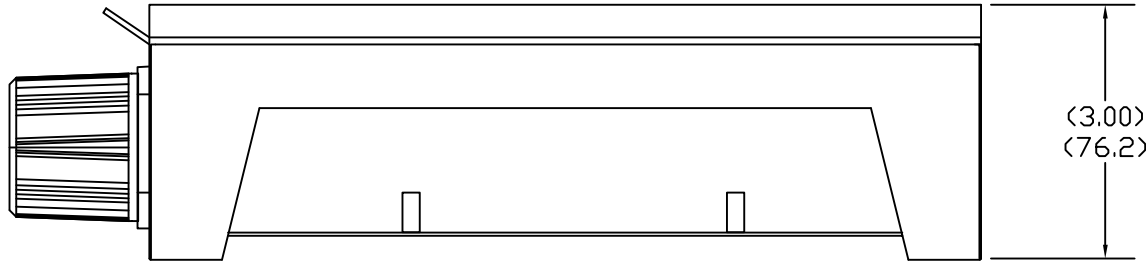
2

1

E

E

### SIDE VIEW



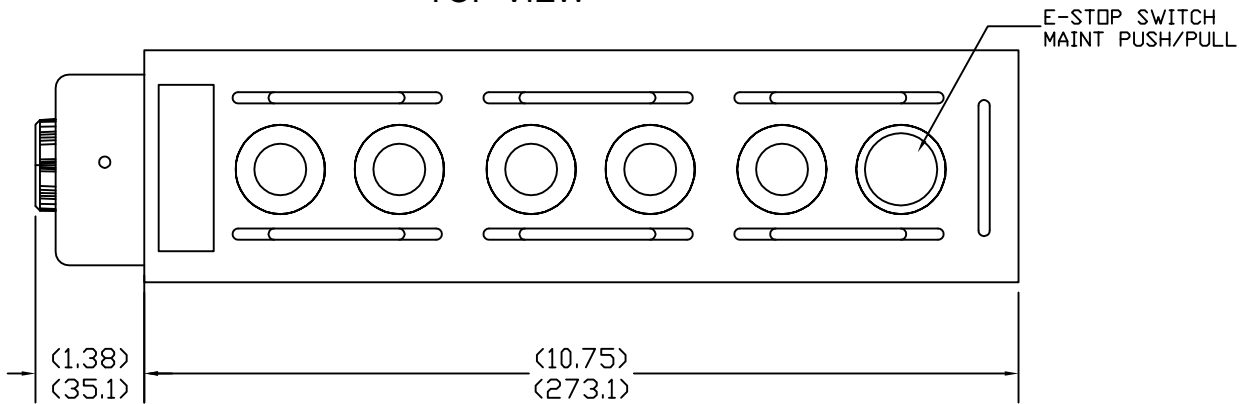
D

D

C

C

### TOP VIEW



B

B

A

A

ENGINEERING NO.	MATERIAL NO.
4024ES	1301260214

CUSTOMER DRAWING  
 EC NO: WNA2009-0495  
 DRWN: TVICKERS 2/5/09  
 CHKD: KA 2008/27/6  
 APPR: DTITUS 2009/09/21

QUALITY SYMBOLS
$\nabla=0$
$\sphericalangle=0$

GENERAL TOLERANCES (UNLESS SPECIFIED)	
	mm INCH
4 PLACES	±.005 ±.002
3 PLACES	±.010 ±.005
2 PLACES	±.015 ±.010
1 PLACE	±.020 ±.020
ANGULAR ±.5°	
<b>DRAFT WHERE APPLICABLE MUST REMAIN WITHIN DIMENSIONS</b>	

DIMENSION STYLE	
IN/MM	
DRAWN BY	DATE
TV	2009/05/09
CHECKED BY	DATE
HK	2009/05/09
APPROVED BY	DATE
DTITUS	2009/09/18
MATERIAL NO.	
1301260214	
SIZE	
A	

SCALE	DESIGN UNITS	THIRD ANGLE PROJECTION
NTS	INCH	
TITLE		
4-BUTTON STATION W/E-STOP		
MOLEX INCORPORATED		
DOCUMENT NO.	SHEET NO.	
SD-130126-024	1 OF 1	
THIS DRAWING CONTAINS INFORMATION THAT IS PROPRIETARY TO MOLEX INCORPORATED AND SHOULD NOT BE USED WITHOUT WRITTEN PERMISSION		

6

5

4

3

2

1