

# D5V

## Contact Displacement Sensor Integrated with Amplifier Enables Inline Measurement of a Wide Range of Objects at a Low Operating Force



- Works with a low operating force (0.29 N) to detect a wide variety of objects including glass, plastic, and rubber objects.
- Models with digital output for B7A Units and models with 4- to 20-mA linear output corresponding to the 0- to 5-mm measurement range are available.
- Three types of measurement head can be selected according to the object: Ball, pin, or flat.
- The XS3 Sensor I/O Connector makes Sensor connections simple.

### Ordering Information

Measurement range	Output specifications	Actuator	Resolution	Model
5 mm	4 to 20 mA	Ball type	10 μm	D5VA-3B1
		Pin type		D5VA-3P1
		Flat type *1		D5VA-3F1
	B7A serial communications output *2	Ball type	1 μm	D5VM-3B1
		Pin type		D5VM-3P1
		Flat type *1		D5VM-3F1

\*1. Flat-type actuators have a hole 5-mm deep for an M2.5 screw in the tip so that an actuator can be mounted externally.

\*2. Use the D5VM-3□1 in combination with the B7A Link Terminal Output Unit or a C200H or CQM1 B7A Interface Unit. Use 16- or 32-point Units with a standard transmission delay time (19.2 ms). (A high-speed type cannot be used).

### Approved Standard Ratings

#### Conformance to EN50081-1, pr50082-2

Rated current	100 mA
Rated voltage	24 VDC

Z300

Z500

Z550

Z4D-F

Z4W-V

E4PA-N

E4DA

D5V

# Ratings and Specifications

Item	Model	D5VA-3□□1	D5VM-3□□1
Power Supply voltage		12 to 24 VDC±10% *1	
Current consumption		80 mA max.	
Measurement range		5 mm	
Maximum actuator travel distance		Approx. 5.7 mm	
Offset adjustment range		±0.25 mm	
Resolution		10 μm	1 μm
Linearity		0.5% FS max.	
Repeat accuracy		10 μm max.	
Response time		6 ms max.	37 ms max. (including transmission delay time)
Operating force		0.3 N max.	
Output		Linear current output: 4 to 20 mA (Allowable load resistance: 0 to 300 Ω)	B7A serial communications output (BCD and multipoint ON/OFF output modes *2)
Mounting method		Two M4 screws	
Indicators		Power and overtravel indicators	Power, overtravel, setting, and output indicators
Mechanical durability		10,000,000 operations min.	
Temperature influence		±0.04% FS/°C max.	
Operating temperature		-10 to 55 °C (with no icing or condensation)	
Storage temperature		-25 to 65 °C (with no icing or condensation)	
Humidity range		35% to 85% (with no icing or condensation)	
Insulation resistance		100 MΩ min. (at 100 VDC)	
Dielectric strength		1,000 VAC, 50/60 Hz for 1 min	
Noise resistance		Noise level: 1.5 kV with a pulse width of 100 ns to 1 μs	
Vibration resistance		10 to 55 Hz, 0.75-mm double amplitude	
Shock resistance		196 m/s <sup>2</sup>	
Connection cable		2 m (XS3F-M421-402-R provided)	
Weight		Approx. 80 g (without cable)	
Material		ABS and PC polymer alloy	

Displacement/  
Length Sensors

Sensing  
Guide

Smart  
Sensors

Displacement  
Sensors

Length  
Sensors

Other  
Information

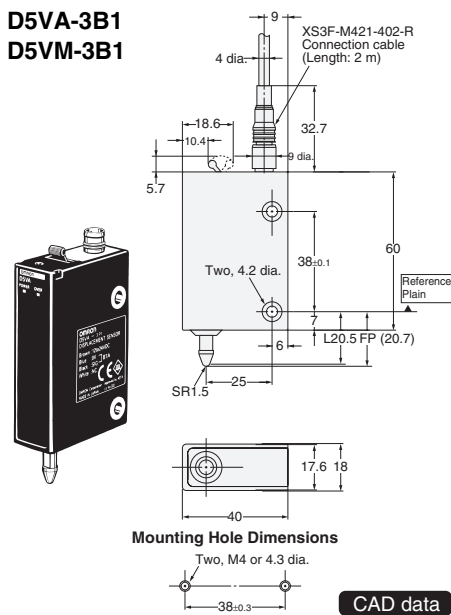
\*1. If power is supplied to both the D5VM-3□□1 and B7A Output Link Terminal from a single power supply, the supply voltage must be 24 VDC±10%.

\*2. BCD or multipoint output mode can be selected with the mode selector.

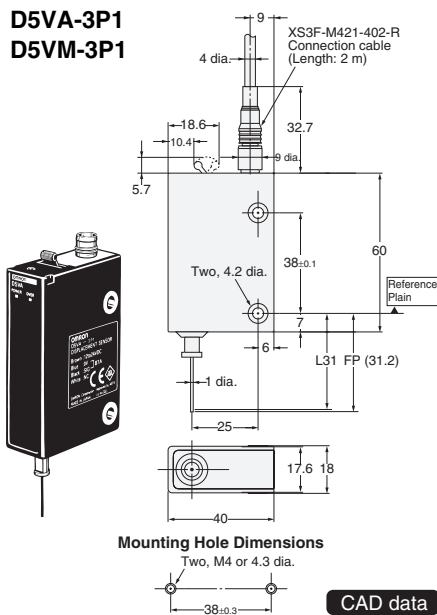
## Dimensions (The illustration shows the D5VA-□□□□.)

(Unit: mm)

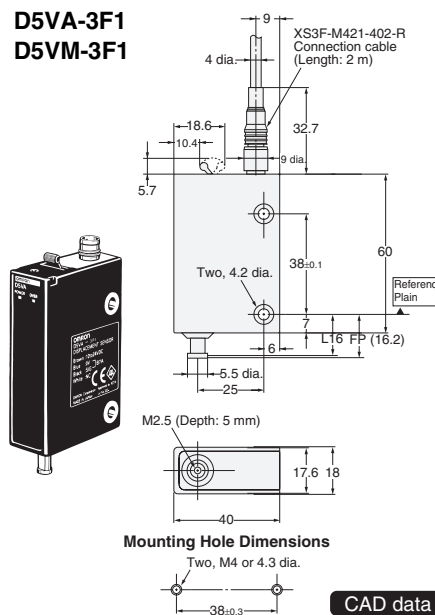
### D5VA-3B1 D5VM-3B1



### D5VA-3P1 D5VM-3P1



### D5VA-3F1 D5VM-3F1



The output at position "L" is set at the factory to 4 mA for the D5VA, and to 0000 for the D5VM (BCD mode). In the free position (FP), EEEE is output, and when pressed in excess of the measurement range, FFFF is output.

For safety precautions and further details, refer to *Contact Displacement Sensors Series Catalog* (Cat. No. X071).

Z300  
Z500  
Z550  
Z4D-F  
Z4W-V  
E4PA-N  
E4DA  
D5V

Cat. No. F802-E1-01

In the interest of product improvement, specifications are subject to change without notice.