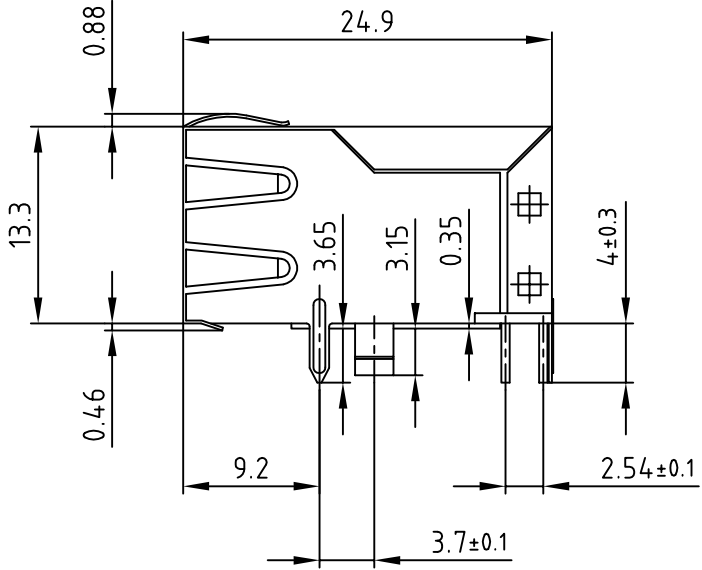
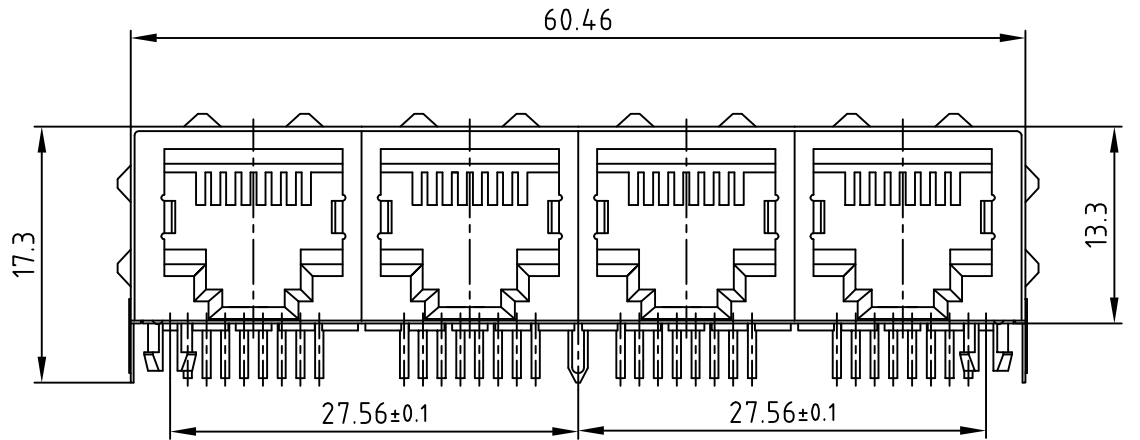
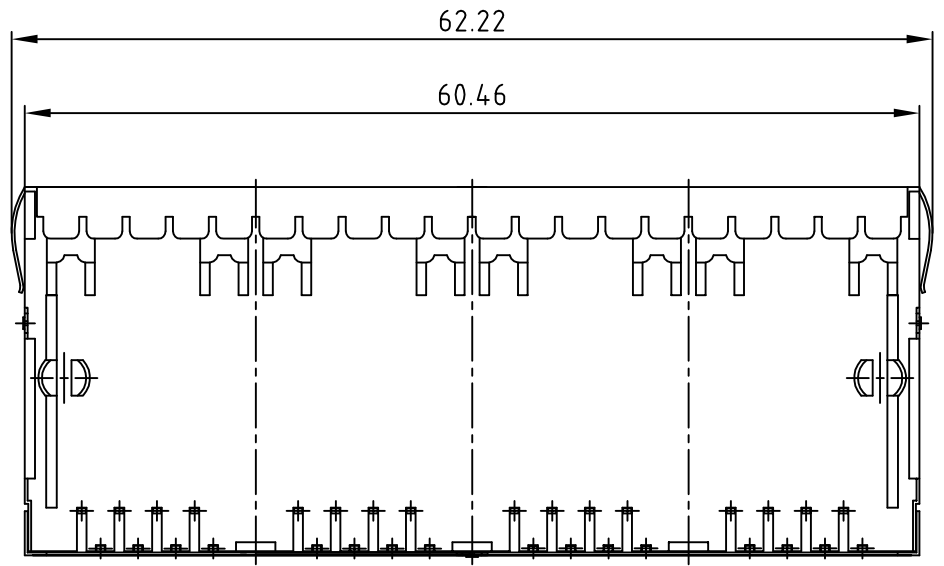


used for: RJ 45

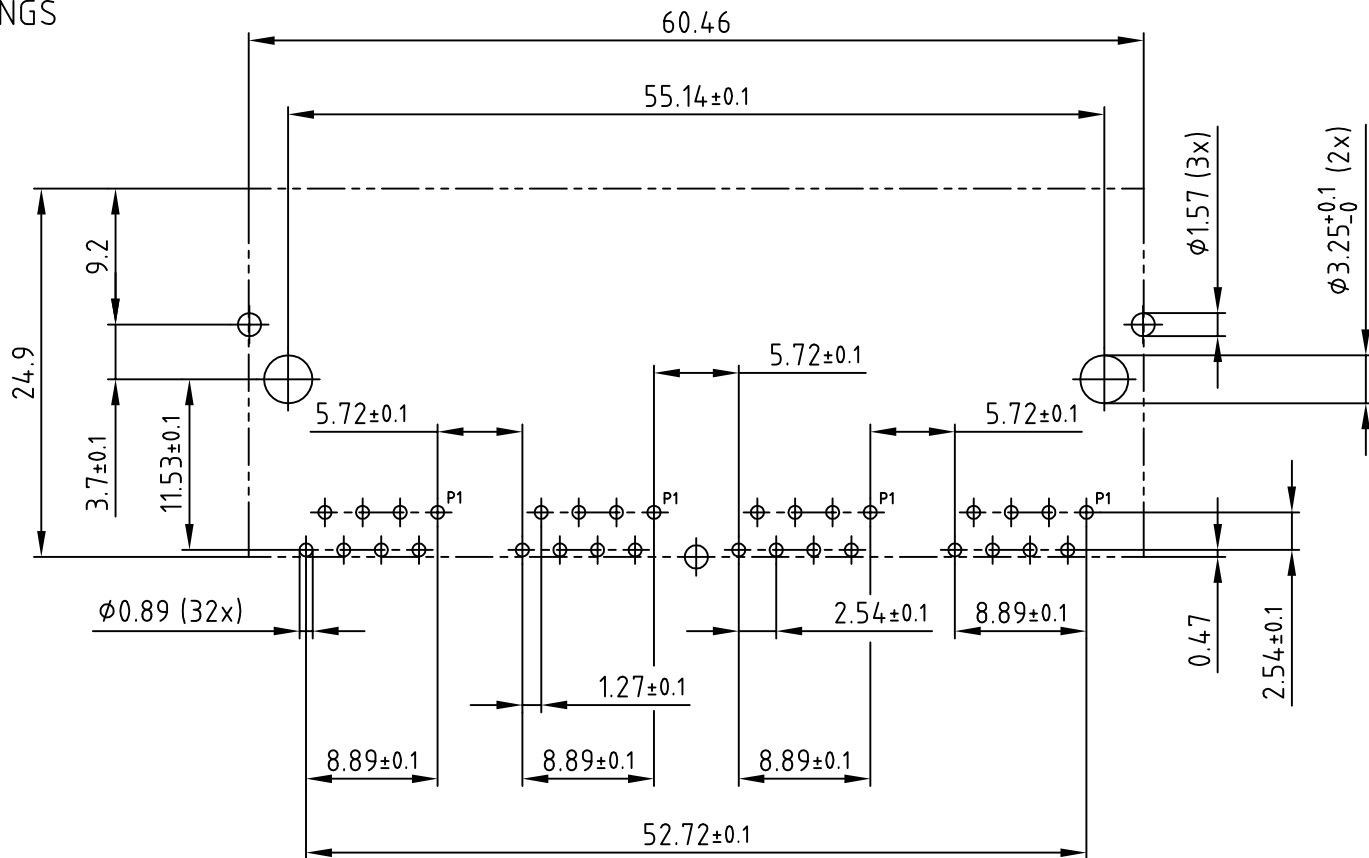


NOTES:

1. HOUSING MATERIAL: GLASS FILLED POLYESTER UL 94 V-0; BLACK
2. SHIELD MATERIAL: 0.2mm THICK COPPER ALLOY
3. CONTACT MATERIAL: 0.35mm THICK COPPER ALLOY
4. MATING AREA PLATING: min. 50µin GOLD over min. 30µin NICKEL
5. SOLDER TAILS PLATING: min. 90µin TIN/LEAD over min. 30µin NICKEL
6. INTERNAL CIRCUIT PER PORT SEE SHEET 2

Directive 2002/95/EC RoHS compliant

P.C.B. HOLE DRILLINGS

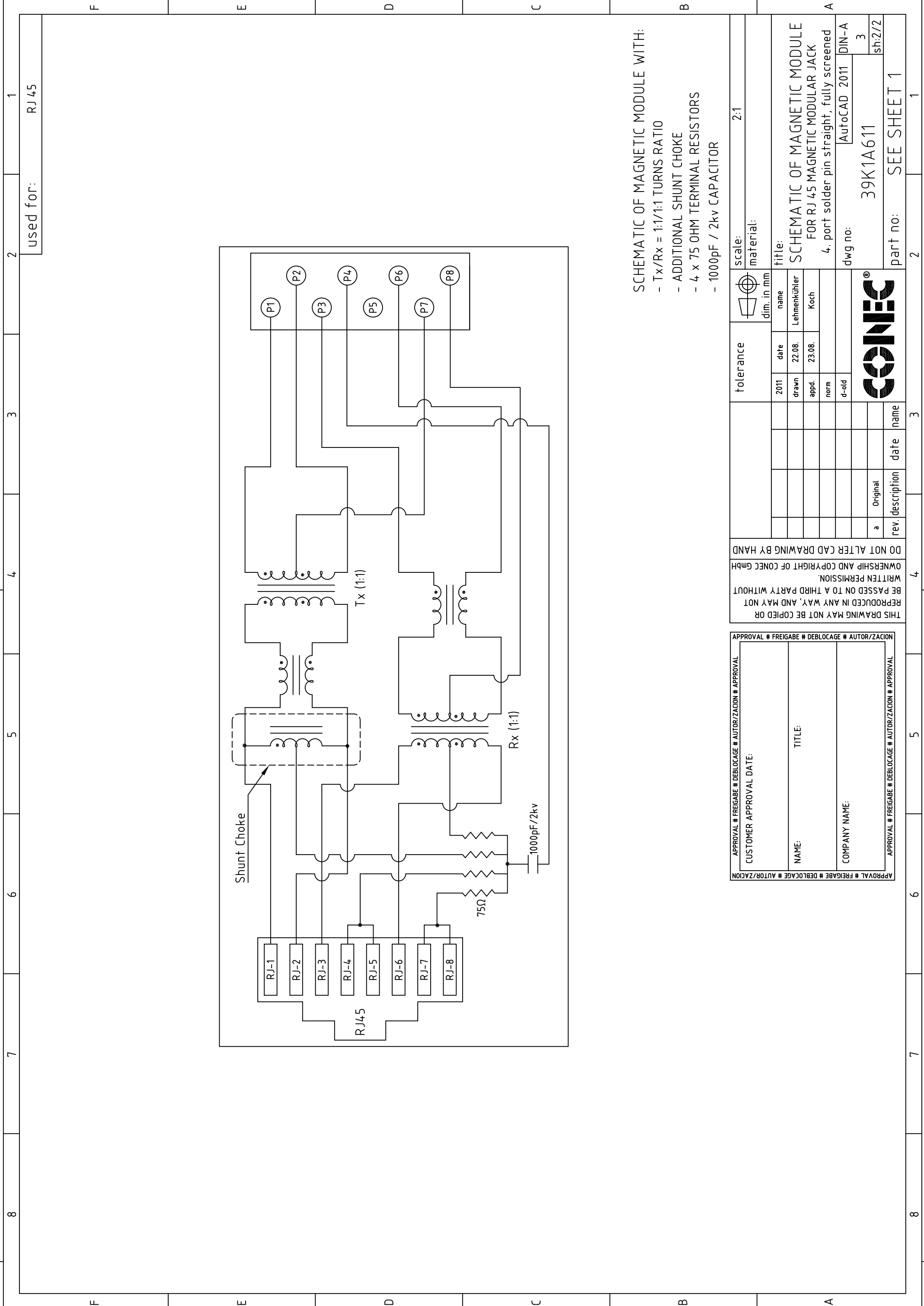


APPROVAL # FREIGABE # DEBLOCAGE # AUTOR/ZACION # APPROVAL	
CUSTOMER APPROVAL DATE:	
NAME:	TITLE:
COMPANY NAME:	
APPROVAL # FREIGABE # DEBLOCAGE # AUTOR/ZACION # APPROVAL	

THIS DRAWING MAY NOT BE COPIED OR REPRODUCED IN ANY WAY, AND MAY NOT BE PASSED ON TO A THIRD PARTY WITHOUT WRITTEN PERMISSION.
OWNERSHIP AND COPYRIGHT OF CONEC GmbH
DO NOT ALTER CAD DRAWING BY HAND

tolerance			scale:	2:1
			material:	SEE NOTES
2011	date	name	title: RJ 45 MAGNETIC MODULAR JACK 4. PORT SOLDER PIN STRAIGHT fully screened, without LED	
drawn	22.08.	Lehmenkühler		
appd.	23.08.	Koch		
norm				
d-old			dwg no:	AutoCAD 2011
a	Original		39K1A611	
rev.	description	date	name	DIN-A
				3
				sh:1/2
				part no: RJ45TJS41ACON0X





used for: RJ45

SCHEMATIC OF MAGNETIC MODULE WITH:
 - Tx/Rx = 1:1/1:1 TURNS RATIO
 - ADDITIONAL SHUNT CHOKE
 - 4 x 75 OHM TERMINAL RESISTORS
 - 1000pF / 2kv CAPACITOR

APPROVAL # FREIGABE # DEBLOCAGE # AUTOR/ZACION # APPROVAL	APPROVAL # FREIGABE # DEBLOCAGE # AUTOR/ZACION # APPROVAL
CUSTOMER APPROVAL DATE:	TITLE:
NAME:	COMPANY NAME:
APPROVAL # FREIGABE # DEBLOCAGE # AUTOR/ZACION # APPROVAL	APPROVAL # FREIGABE # DEBLOCAGE # AUTOR/ZACION # APPROVAL

THIS DRAWING MAY NOT BE COPIED OR REPRODUCED IN ANY WAY, AND MAY NOT BE PASSED ON TO A THIRD PARTY WITHOUT WRITTEN PERMISSION. OWNERSHIP AND COPYRIGHT OF CONEC GMBH DO NOT ALTER CAD DRAWING BY HAND

dim. in mm	tolerance	scale:	2:1
name	date	material:	
Lehmenkühler	2011	title:	SCHEMATIC OF MAGNETIC MODULE FOR RJ 45 MAGNETIC MODULAR JACK
Koch	drawn		4. port solder pin straight, fully screened
	22.08.		
	appd.		
	23.08.		
	norm		
	d-old		
		dwg no:	AutoCAD 2011 DIN-A
			39K1A611
			3
			sh:2/2
		part no:	SEE SHEET 1



rev. description	date	name
a Original		