

**MICRO SWITCH**  
a Honeywell Division

**SWITCH - BASIC**

CATALOG LISTING  
**YA-2RL-P4**  
**ADL0000**

FED. MFG. CODE 91929

CATALOG LISTING  
**YA-2RL-P4**

**M**

ISSUE  
**6**

REVISIONS

<b>A</b>	CO-77863
	G J W 10 MAY 96
<b>B</b>	C093346
	DLT 27 AUG 98
<b>C</b>	0017742
	TSG 09JAN06

CHECK

09JAN06

RJ

CHECK

10 MAY 96

FORMTEK  
DRAWN

REPLACES

RELEASE NO. SR-11013

CHECK

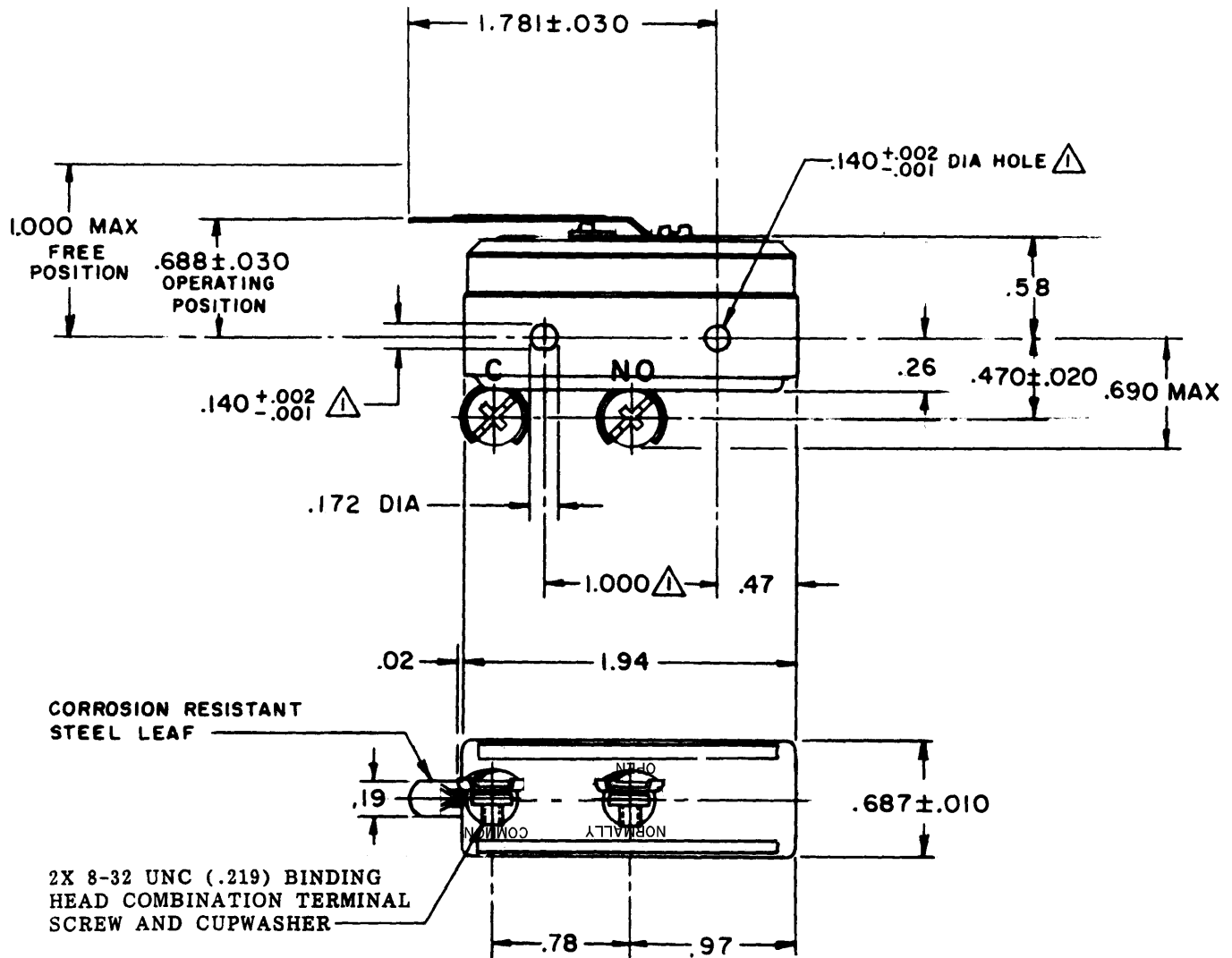
CHECK

09JAN06

RJ

CHECK

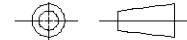
10 MAY 96



**NOTE**  
▲ - MOUNTING HOLES WILL ACCEPT PINS OR SCREWS  
OF .139 MAX DIA ON 1.000 ± .002 CENTERS

THIS DRAWING COVERS A PROPRIETARY ITEM AND IS THE PROPERTY OF MICRO SWITCH, A DIVISION OF HONEYWELL. THIS DRAWING IS NOT TO BE COPIED OR USED WITHOUT THE APPROVAL OF MICRO SWITCH.

THIRD ANGLE PROJECTION



CHARACTERISTICS	ELECTRICAL DATA	SCALE FULL	DO NOT SCALE PRINT
OPERATING FORCE - - - - 9 OZ MAX	CONTACT ARRANGEMENT SPNO	UNLESS OTHERWISE SPECIFIED TOLERANCES ARE	
RELEASE FORCE - - - - 1 OZ MIN	L23 20A 125, 250 OR 480 VAC 10A 125 VAC "L" 1HP 125 VAC, 2HP 250 VAC 1/2A 125 VDC, 1/4A 250 VDC	ONE PLACE (.0) ± .030	TWO PLACE (.00) ± .015
DIFFERENTIAL TRAVEL - - .065 MAX	L288 L308 L315	THREE PLACE (.000) ± .005	ANGLES ±
DO NOT OVERTRAVEL MORE THAN - - .060	CE  05  T85 5E4	WEIGHT	