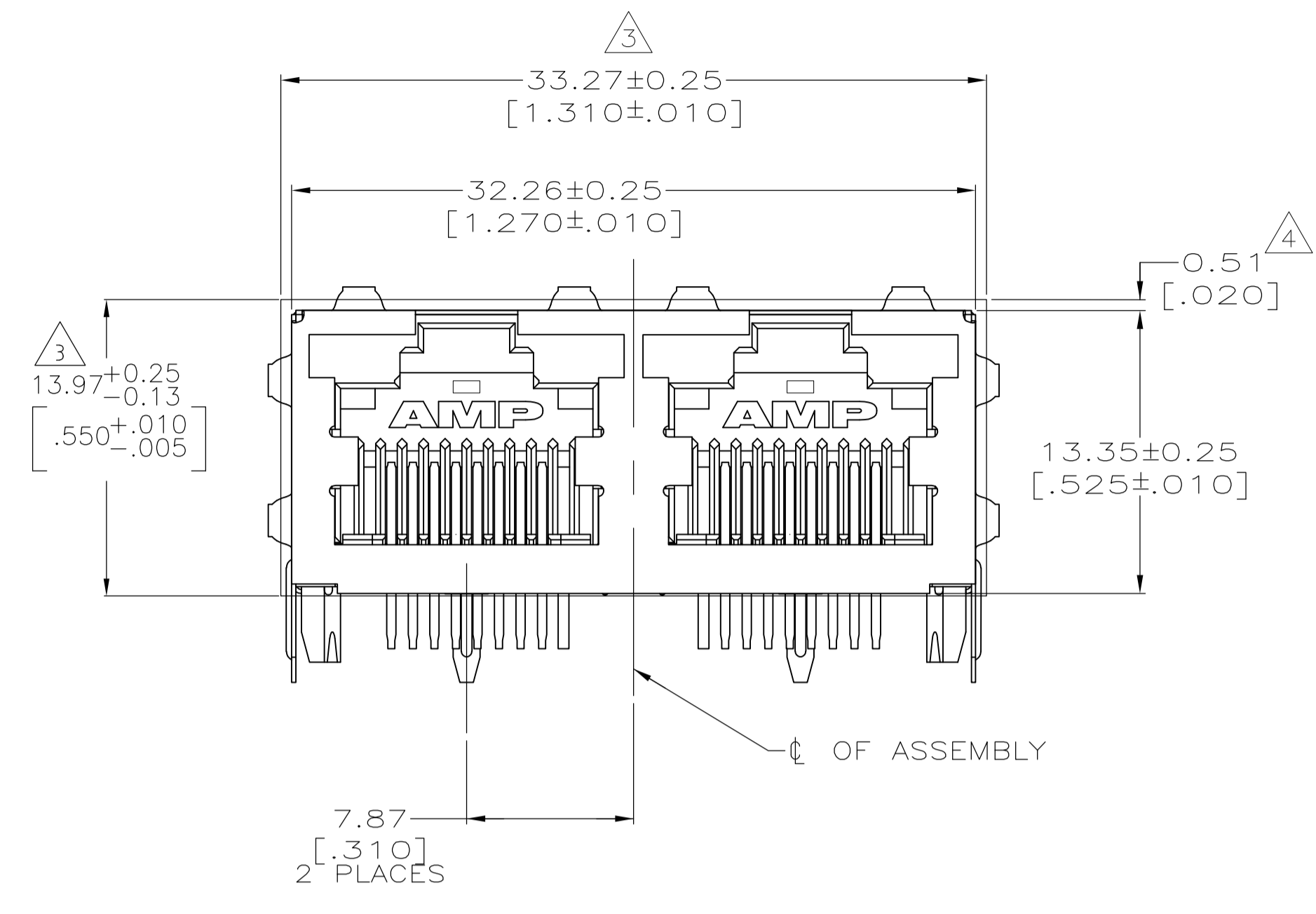
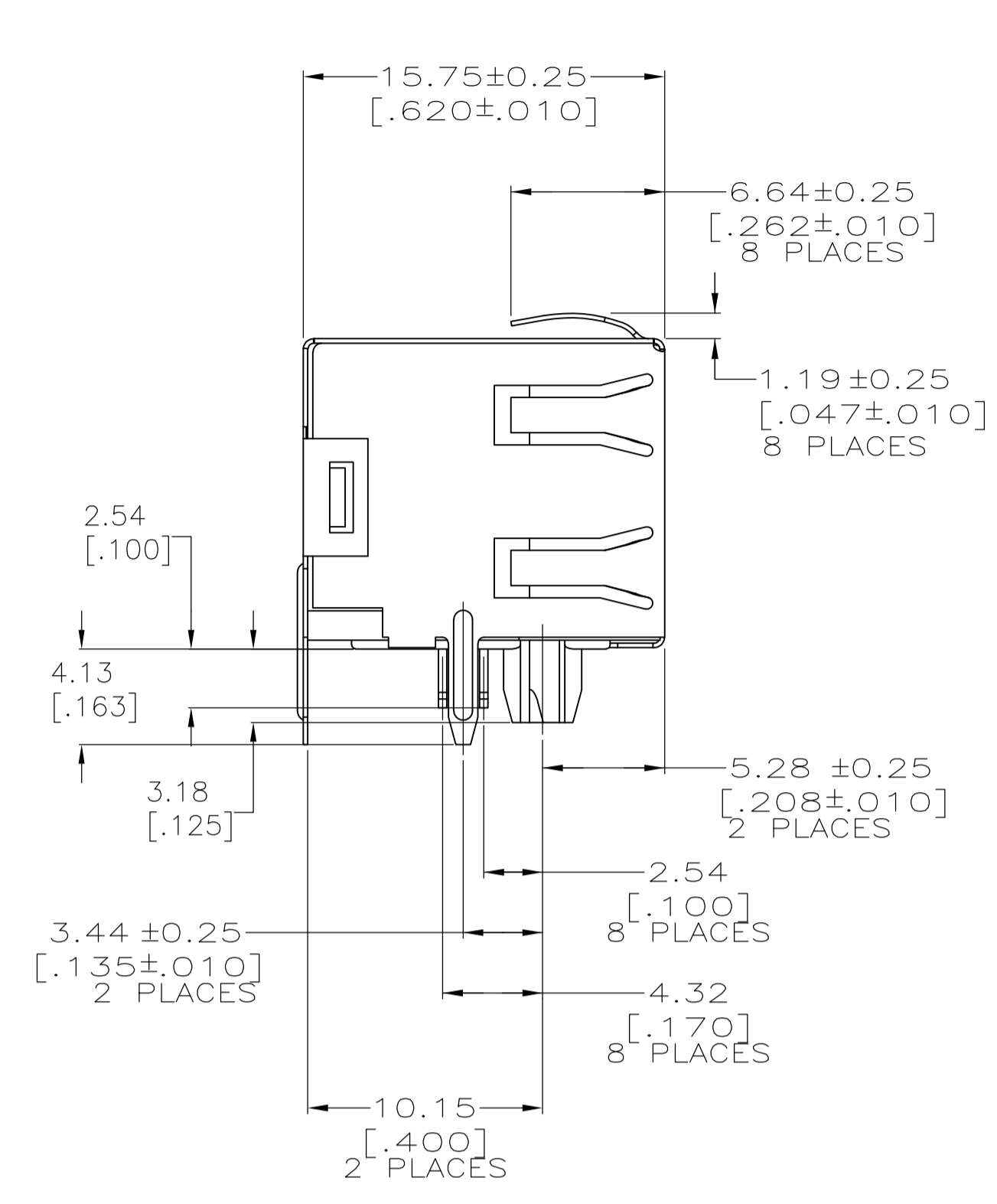
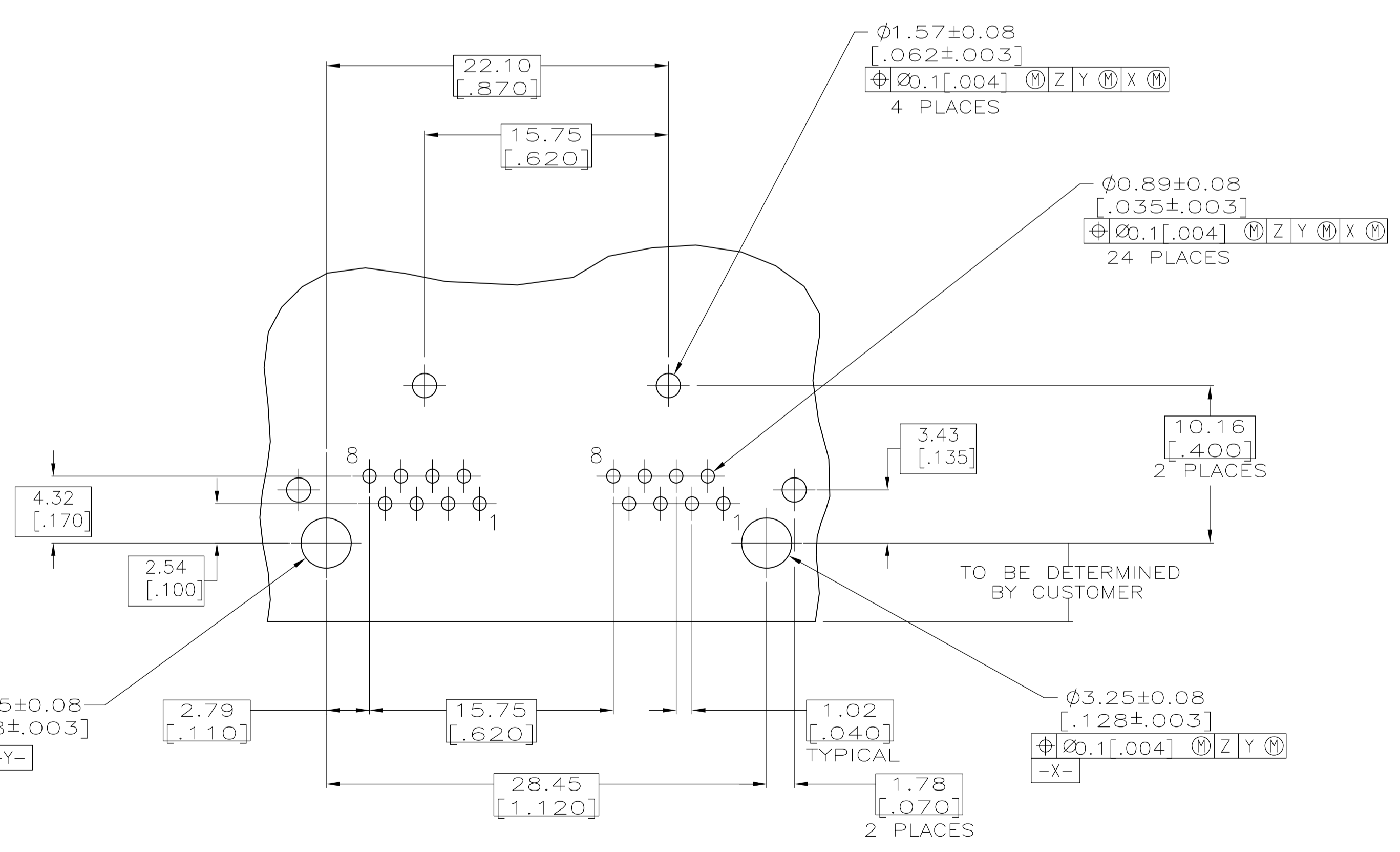


LOC		DIST		REVISIONS			
F	LTR	DESCRIPTION	DATE	DWN	APVD		
B		ECC-07-000390	09JAN08	LAM	JW		



- MATERIAL: HOUSING - HIGH TEMPERATURE THERMOPLASTIC, COLOR: BLACK, UL94V-0
 TERMINALS - 0.36[.014] THICK PHOS BRONZE PLATED WITH 3.81μm[.000150] MINIMUM THICK BRIGHT TIN LEAD IN SOLDER AREA. 1.27μm [.000050] MINIMUM GOLD IN LOCALIZED PLATE AREA. ENTIRE TERMINAL PLATED WITH 1.27μm [.000050] MINIMUM THICK NICKEL.
 SHIELD - 0.196[.0077] THICK COPPER ZINC ALLOY PREPLATED WITH 1.27μm[.000050] MINIMUM SATIN NICKEL WITH 2.03μm[.000080] MINIMUM TIN POST DIPPED ON PCB GROUND TABS.
- JACK CAVITY CONFORMS TO FCC RULES AND REGULATIONS PART 68, SUBPART F.

- △ SUGGESTED PANEL OPENING DIMENSIONS.
- △ SUGGESTED CLEARANCE BETWEEN TOP OF CONNECTOR AND TOP PANEL OPENING.



SUGGESTED PRINTED CIRCUIT BOARD LAYOUT
(COMPONENT SIDE)

1116522-1
PART NUMBER

THIS DRAWING IS A CONTROLLED DOCUMENT.		DIN DL DRUMMOND 02-FEB-99	Tyco Electronics Corporation Harrisburg, PA 17105-3608	
DIMENSIONS: mm [INCHES]		CIK DL DRUMMOND 04-FEB-99	NAME	
TOLERANCES UNLESS OTHERWISE SPECIFIED:		APVD EC LAURER 05-FEB-99	PRODUCT SPEC	
0 PLC ± -		108-1163-4		
1 PLC ± -		APPLICATION SPEC		
2 PLC ± 0.25[.01]		114-2154		
3 PLC ± 0.13[.005]		SIZE CAGE CODE DRAWING NO		
4 PLC ± -		RESTRICTED TO		
ANGLES ± -		A1 00779 C=1116522		
MATERIAL SEE NOTE 1	FINISH SEE NOTE 1	WEIGHT	SCALE 4:1	SHEET 1 OF 1 REV B
CUSTOMER DRAWING				